

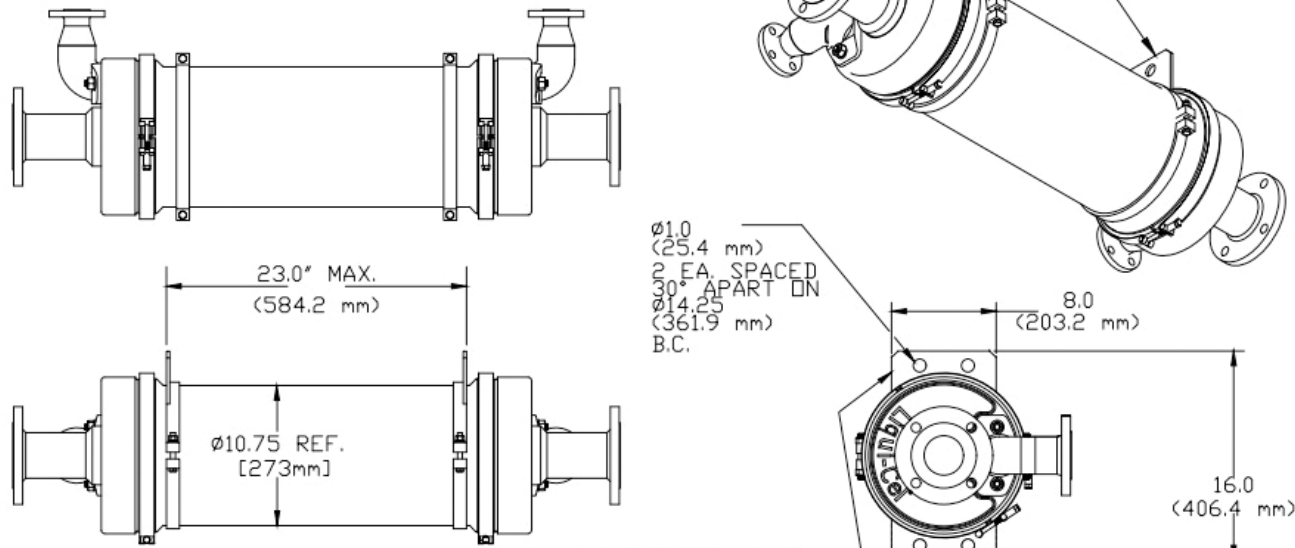


3M™ Liqui-Cel™ EXF-10×28 Series Membrane Contactor SS Housing with Mounting Isometric

NOTES:

- 1 - All dimensions are nominal values.
- 2 - Dimensions in inches [millimeters]

ANGULAR ORIENTATION OF THESE MOUNTING BRACKETS WITH RESPECT TO THE HOUSING (2 EA PER HOUSING, KIT 199) CENTERLINE IS COMPLETELY FLEXIBLE. THE INSTALLED ORIENTATION IS THEREFORE TOTALLY DEPENDENT ON CUSTOMER PREFERENCES.



2" ANSI IS DEPICTED IN DRAWING. FOR PRODUCT DIMENSIONAL INFORMATION REFER TO THE PRODUCT SPECIFIC DRAWINGS.

THE STANDARD MOUNTING KIT IS SOLD SEPARATELY, AND INCLUDES 2 MOUNTING STRAPS (GROUP K199).

Product Use: Many factors beyond 3M's control and uniquely within user's knowledge and control can affect the use and performance of a 3M product in a particular application. Given the variety of factors that can affect the use and performance of a 3M product, user is solely responsible for evaluating the 3M product and determining whether it is fit for a particular purpose and suitable for user's method of application.

Warranty, Limited Remedy, and Disclaimer: Unless an additional warranty is specifically stated on the applicable 3M product packaging or product literature, 3M warrants that each 3M product meets the applicable 3M product specification at the time 3M ships the product. 3M MAKES NO OTHER WARRANTIES OR CONDITIONS, EXPRESS OR IMPLIED, INCLUDING, BUT NOT LIMITED TO, ANY IMPLIED WARRANTY OR CONDITION OF MERCHANTABILITY OR FITNESS FOR A PARTICULAR PURPOSE OR ANY IMPLIED WARRANTY OR CONDITION ARISING OUT OF A COURSE OF DEALING, CUSTOM OR USAGE OF TRADE. If the 3M product does not conform to this warranty, then the sole and exclusive remedy is, at 3M's option, replacement of the 3M product or refund of the purchase price.

Limitation of Liability: Except where prohibited by law, 3M will not be liable for any loss or damage arising from the 3M product, whether direct, indirect, special, incidental or consequential, regardless of the legal theory asserted, including warranty, contract, negligence or strict liability.

3M and Liqui-Cel are trademarks of 3M Company. All other trademarks are the property of their respective owners. © 2017 3M Company. All rights reserved.