

3M™ Liqui-Cel™ MM-0.75×1 Series Membrane Contactor

Typical Properties

Membrane Characteristics	
Cartridge Configuration	No Baffle Membrane Disc Design
Liquid Flow Guidelines	15–200 ml/min
Membrane Type	X40 Fiber
Membrane/Potting Material	Polypropylene / Epoxy
Priming Volume (approximate)	
Shellside	6.5 ml

Pressure Guidelines*	
Maximum Shellside LIQUID Working Temperature/ Pressure	5–25°C, 3.1 barg (41–77°F, 45 psig)

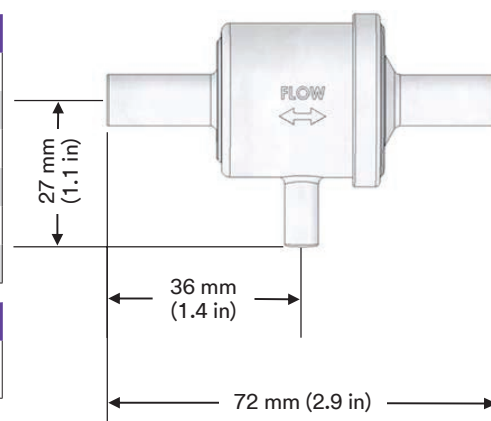
* Note: Liquid pressure should always exceed gas pressure.

Housing Characteristics	
Material	Polycarbonate
Connections	
Shellside (Liquid Inlet/Outlet)	3/8 inch Straight Tube
Lumenside (vacuum)	1/4 inch Straight Tube

Weight (approximate)	
Dry (cartridge and housing)	16 grams
Water-filled (shellside)	22 grams

Mounting	
Horizontal with vacuum port pointed down	

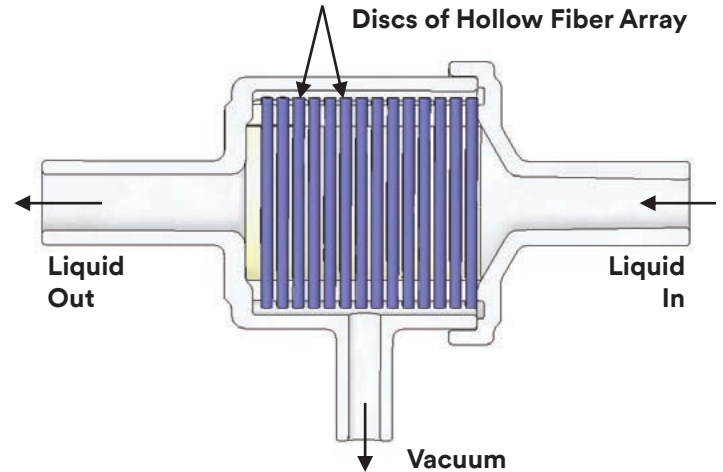
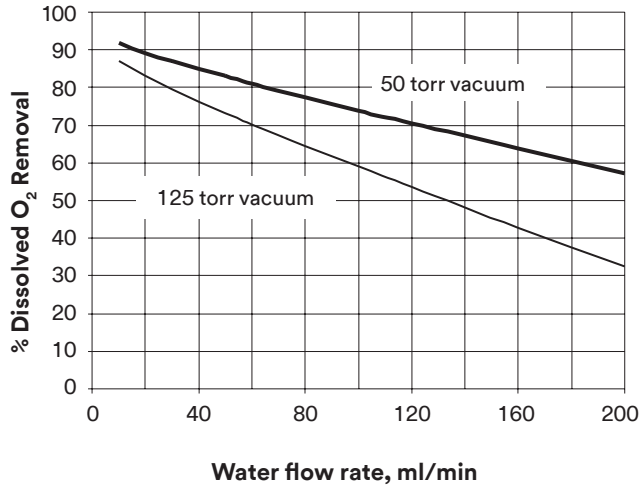
Regulatory	
Complies with the limits as set by (EU) 2015/863 amending Annex II to the Restriction on Hazardous Substances (RoHS) Directive (2011/65/EU). 3M™ Liqui-Cel™ MM-0.75×1 Series Membrane Contactors are not constructed of FDA Title 21 CFR § 174-186 compliant materials. Not for use in food contact applications.	



All dimensions are nominal values. See full housing drawing on 3M.com/Liqui-Cel for additional details.

Not for consumer sale or use.

3M™ Liqui-Cel™ MM-0.75×1 Series Membrane Contactor



Curves represent nominal values generated using water on the shellside and vacuum on the lumenside at 20°C. Characteristics may change under different operating conditions.

Technical Information: The technical information, guidance, and other statements contained in this document or otherwise provided by 3M are based upon records, tests, or experience that 3M believes to be reliable, but the accuracy, completeness, and representative nature of such information is not guaranteed. Such information is intended for people with knowledge and technical skills sufficient to assess and apply their own informed judgment to the information. No license under any 3M or third party intellectual property rights is granted or implied with this information.

Product Selection and Use: Many factors beyond 3M's control and uniquely within user's knowledge and control can affect the use and performance of a 3M product in a particular application. As a result, customer is solely responsible for evaluating the product and determining whether it is appropriate and suitable for customer's application, including conducting a workplace hazard assessment and reviewing all applicable regulations and standards (e.g., OSHA, ANSI, etc.). Failure to properly evaluate, select, and use a 3M product and appropriate safety products, or to meet all applicable safety regulations, may result in injury, sickness, death, and/or harm to property.

Warranty, Limited Remedy, and Disclaimer: Unless a different warranty is specifically stated on the applicable 3M product packaging or product literature (in which case such warranty governs), 3M warrants that each 3M product meets the applicable 3M product specification at the time 3M ships the product. 3M MAKES NO OTHER WARRANTIES OR CONDITIONS, EXPRESS OR IMPLIED, INCLUDING, BUT NOT LIMITED TO, ANY IMPLIED WARRANTY OR CONDITION OF MERCHANTABILITY, FITNESS FOR A PARTICULAR PURPOSE, OR ARISING OUT OF A COURSE OF DEALING, CUSTOM, OR USAGE OF TRADE. If a 3M product does not conform to this warranty, then the sole and exclusive remedy is, at 3M's option, replacement of the 3M product or refund of the purchase price.

Limitation of Liability: Except for the limited remedy stated above, and except to the extent prohibited by law, 3M will not be liable for any loss or damage arising from or related to the 3M product, whether direct, indirect, special, incidental, or consequential (including, but not limited to, lost profits or business opportunity), regardless of the legal or equitable theory asserted, including, but not limited to, warranty, contract, negligence, or strict liability.

3M and Liqui-Cel are trademarks of 3M Company. All other trademarks are the property of their respective owners. © 2021 3M Company. All rights reserved.



3M Company
3M Separation and Purification Sciences Division
 13840 South Lakes Drive
 Charlotte, North Carolina
 28273 USA
 Phone: +1 980 859 5400

3M Deutschland GmbH
3M Separation and Purification Sciences Division
 Öhder Straße 28
 42289 Wuppertal Germany
 Phone: +49 202 6099 - 0

LC-1006
 70-2016-0249-0

Rev. 02/2021

3M.com/Liqui-Cel