

3M™ Liqui-Cel™ MM-0.5×1 Series Membrane Contactor

Typical Properties

Membrane Characteristics		
Cartridge Configuration	No Baffle Membrane Array Design	
Liquid Flow Guidelines	5–30 ml/min (Liquid must flow on the shellside)	
Membrane Type	X50	
Membrane/Potting Material	Polypropylene / Epoxy	
Shellside Priming Volume (approximate)	Polycarbonate Housing 3.5 ml	HD Polyethylene Housing 2.0 ml

Pressure Guidelines*	Polycarbonate Housing	HD Polyethylene Housing
Maximum Shellside LIQUID Working Temperature/ Pressure	5–25°C, 3.1 barg (41–77°F, 45 psig) 40°C, 1.0 barg (104°F, 15 psig)	5–25°C, 3.1 barg (41–77°F, 45 psig) 45°C, 1.7 barg (113°F, 25 psig)

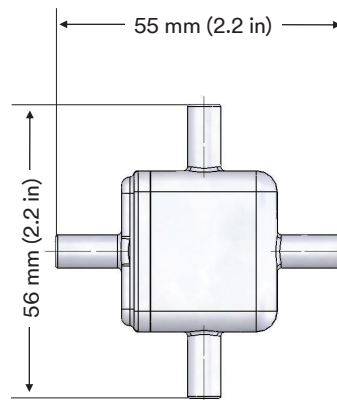
* Note: Liquid pressure should always exceed gas pressure.

Housing Characteristics		
Material	Polycarbonate Housing	HD Polyethylene Housing
Connections		
Shellside (Liquid Inlet/Outlet)	1/4" Straight Tube	Female Luer Lock
Lumenside (vacuum)	1/4" Straight Tube	Female Luer Lock

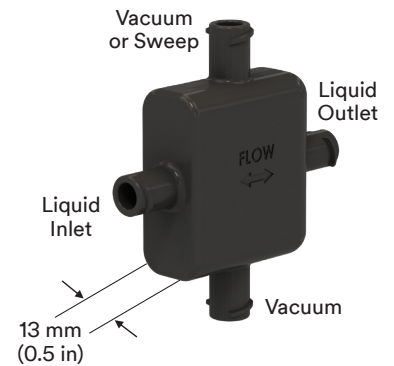
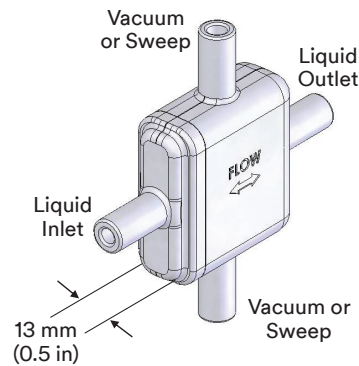
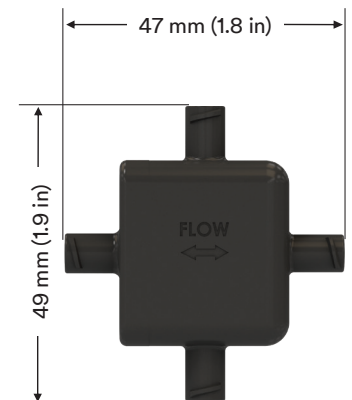
Weight (approximate)	Polycarbonate Housing	HD Polyethylene Housing
Dry	10 grams	8 grams

Regulatory
Complies with the limits as set by (EU) 2015/863 amending Annex II to the Restriction on Hazardous Substances (RoHS) Directive (2011/65/EU). 3M™ Liqui-Cel™ MM-0.5×1 Series Membrane Contactors are not constructed of FDA Title 21 CFR § 174-186 compliant materials. Not for use in food contact applications.

Polycarbonate Housing

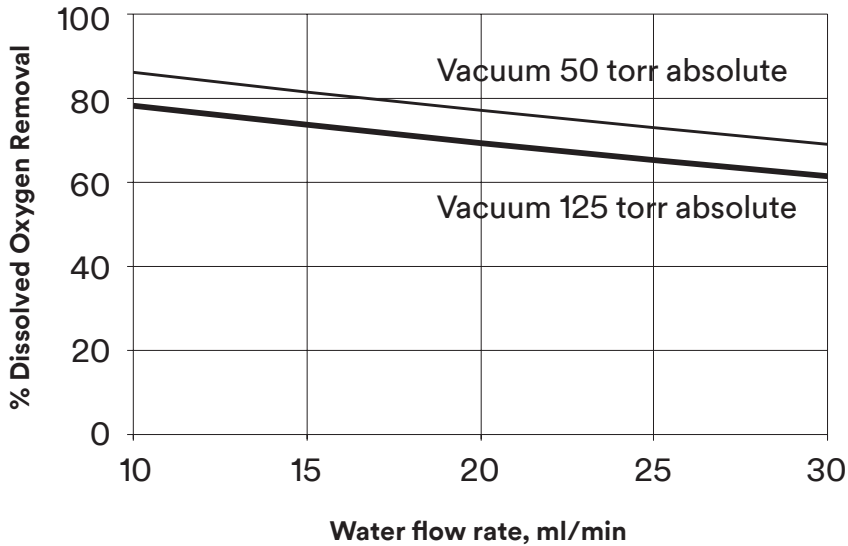


HD Polyethylene Housing



All dimensions are nominal values. See full housing drawings on 3M.com/Liqui-Cel for additional details.

3M™ Liqui-Cel™ MM-0.5×1 Series Membrane Contactor



Curves represent nominal values generated using water on the shellside at 20°C and vacuum on the lumenside. Characteristics may change under different operating conditions.

Product Selection and Use

Many factors beyond 3M's control and uniquely within user's knowledge and control can affect the use and performance of a 3M product in a particular application. As a result, customer is solely responsible for evaluating the product and determining whether it is appropriate and suitable for customer's application, including conducting a workplace hazard assessment and reviewing all applicable regulations and standards (e.g., OSHA, ANSI, etc.). Failure to properly evaluate, select, and use a 3M product and appropriate safety products, or to meet all applicable safety regulations, may result in injury, sickness, death, and/or harm to property.

Warranty, Limited Remedy, and Disclaimer

Unless a different warranty is specifically stated on the applicable 3M product packaging or product literature (in which case such warranty governs), 3M warrants that each 3M product meets the applicable 3M product specification at the time 3M ships the product. 3M MAKES NO OTHER WARRANTIES OR CONDITIONS, EXPRESS OR IMPLIED, INCLUDING, BUT NOT LIMITED TO, ANY IMPLIED WARRANTY OR CONDITION OF MERCHANTABILITY, FITNESS FOR A PARTICULAR PURPOSE, OR ARISING OUT OF A COURSE OF DEALING, CUSTOM, OR USAGE OF TRADE. If a 3M product does not conform to this warranty, then the sole and exclusive remedy is, at 3M's option, replacement of the 3M product or refund of the purchase price.

Limitation of Liability

Except for the limited remedy stated above, and except to the extent prohibited by law, 3M will not be liable for any loss or damage arising from or related to the 3M product, whether direct, indirect, special, incidental, or consequential (including, but not limited to, lost profits or business opportunity), regardless of the legal or equitable theory asserted, including, but not limited to, warranty, contract, negligence, or strict liability.

3M and Liqui-Cel are trademarks of 3M Company. All other trademarks are the property of their respective owners.
© 2020 3M Company. All rights reserved.



3M Company
3M Separation and Purification
Sciences Division
 13840 South Lakes Drive
 Charlotte, North Carolina 28273
 USA
 Phone: +1 980 859 5400

3M Deutschland GmbH
3M Separation and Purification
Sciences Division
 Öhder Straße 28
 42289 Wuppertal Germany
 Phone: +49 202 6099 - 0



LC-1005
 Rev. 4/2020

3M.com/Liqui-Cel