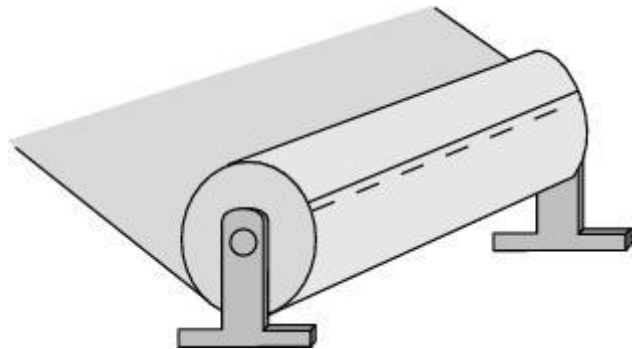
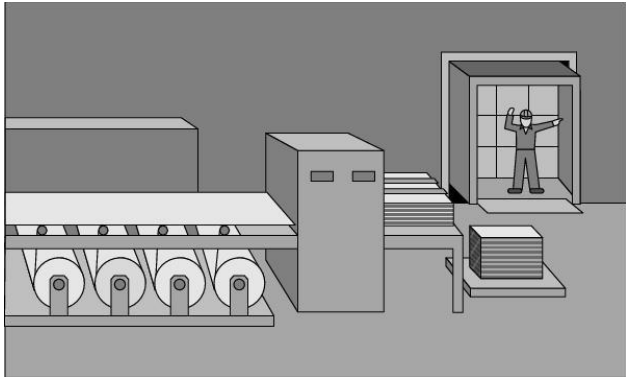


3M Application Profile #14

Market: Web Processing in Paper Mills and Paper Converters

Application Description: Input Roll Splicing on Tissue Converting



Key Application Requirements

Must stick to single and multiply grades of tissue and toweling, ensuring the highest splice efficiency.

Advantages/Benefits to Customer

Strong initial tack: 3M™ Repulpable Web Processing Double Coated Tape R3227 is designed to perform in high-shear applications. High adhesion to a wide variety of papers including recycled paper stock.

Versatile: Ideal for all your static web splicing as well as core starting and roll closing, and some low speed (less than 1000 fpm) moving splices.

Reliable: 3M tapes provide an excellent bond to the paper in all environmental conditions during shipping and storage.

Easily identifiable: Available in both blue and white.

Easy to remove liner: To help reduce application time and save on labor costs.

Repulpable: Both 3M tape and liner pass TAPPI method UM-213. There is no need to separate splice from waste, helping to save labor.

FDA compliant adhesive: Tape can be used on most food grade papers. All components of the adhesive and backing meet the requirements of indirect food additive regulations as described under CFR 21 176.170 (Components of paper and paperboards in contact with aqueous and fatty food) and 21 CFR 176.180 (Components of paper and paperboards in contact with dry foods).

RECOMMENDED PRODUCTS

3M™ Repulpable Web Processing
Double Coated Tape R3227

Process

3M™ Repulpable Web Processing Double Coated Tape R3227 is used for making the splice on the input roll for the tissue, napkin and towel converting lines.

Application Method

By hand.

Key Decision Makers

Production Managers and Supervisors
Finishing Superintendent
Business Owners
Purchasing

Related Splicing Tapes

- 3M™ Repulpable Web Processing Double Coated Tape R3227
- 3M™ Repulpable Heavy Duty Double Coated Tape R3257
- 3M™ Repulpable Sheeter Tape 9974

Related Application Ideas

Core starting at the winders
Pull through splices at most converting equipment

3M Application Profile #14

Product Comparisons

Product	Color	Caliper mils (mm)	Comments
3M™ Repulpable Web Processing Double Coated Tape R3227	Blue White	3.5 (0.09)	<ul style="list-style-type: none"> • Best all-around sheeter tape for multiple paper grades • Good for tissue and towel converting operations • Excellent adhesions even at cold temperatures (less than 40°F)
3M™ Repulpable Heavy Duty Double Coated Tape R3257	White	4.1 (0.11)	<ul style="list-style-type: none"> • Most aggressive adhesive for hard to stick to surfaces such as unbleached paper and linerboard. • Also works great on rough surfaces such as fluff pulp.
3M™ Repulpable Sheeter Tape 9974	Blue White	3.4 (0.09)	<ul style="list-style-type: none"> • Thin, firm adhesive for embossing lines.

Product Use:

Many factors beyond 3M's control and uniquely within user's knowledge and control can affect the use and performance of a 3M product in a particular application. Given the variety of factors that can affect the use and performance of a 3M product, user is solely responsible for evaluating the 3M product and determining whether it is fit for a particular purpose and suitable for user's method of application

Warranty, Limited Remedy, and Disclaimer

Unless an additional warranty is specifically stated on the applicable 3M product packaging or product literature, 3M warrants that each 3M product meets the applicable 3M product specification at the time 3M ships the product. 3M MAKES NO OTHER WARRANTIES OR CONDITIONS, EXPRESS OR IMPLIED, INCLUDING, BUT NOT LIMITED TO, ANY IMPLIED WARRANTY OR CONDITION OF MERCHANTABILITY OR FITNESS FOR A PARTICULAR PURPOSE OR ANY IMPLIED WARRANTY OR CONDITION ARISING OUT OF A COURSE OF DEALING, CUSTOM OR USAGE OF TRADE. If the 3M product does not conform to this warranty, then the sole and exclusive remedy is, at 3M's option, replacement of the 3M product or refund of the purchase price.

Limitation of Liability

Except where prohibited by law, 3M will not be liable for any loss or damage arising from the 3M product, whether direct, indirect, special, incidental or consequential, regardless of the legal theory asserted, including warranty, contract, negligence or strict liability



Industrial Adhesives and Tapes Division

3M Center, Building 225-3S-06
St. Paul, MN 55144-1000
800-362-3550 • 877-369-2923 (fax)
www.3M.com/IATD



Recycled Paper
40% pre-consumer
10% post-consumer

3M is a trademark of 3M Company
Printed in U.S.A.
©3M 2017