

3M Science.
Applied to Life.™



**Get back on
the road fast.**

Heavy Duty Truck Repair Solutions

3M has the products and processes for big rig body repair that will help your trucks get back on the road fast.

1 Sanding and Grinding



3M high performance abrasives cut, grind and sand faster to improve productivity and reduce cycle time. Consistent finish, higher-quality repairs and less rework.

4 Spray Equipment



For dedicated paint spray professionals, 3M™ Accuspray™ and 3M™ PPS™ reduce the pot holes on the road to the perfect paint job.

2 Adhesives and Fillers



3M produces the most comprehensive family of premium adhesives and fillers on the market today, empowering you to restore your truck to like new condition.

5 Welding and Corrosion Protection



3M offers protection before, during and after welding applications with welding and spark safety products as well as corrosion-resistant coatings.

3 Masking



Innovative masking solutions for detailing and heavy duty truck paint professionals. Spend less valuable repair time cleaning up after the job.

6 Finishing and Detailing



3M paint finishing products are engineered to deliver the right cut at the right speed to make getting the perfect finish easy every time.

Help Keep Your Crew Safe with Personal Protective Equipment

Products that work as hard as you do. From the most basic to the most specialized needs, 3M offers the health and safety protection you and your workers need most, so everyone can perform at their best.



- Respiratory Protection
- Eye/Face Protection
- Coveralls
- Hearing Protection
- Welding Helmets

Sanding, Cutting and Grinding



1

Welding and Corrosion Protection

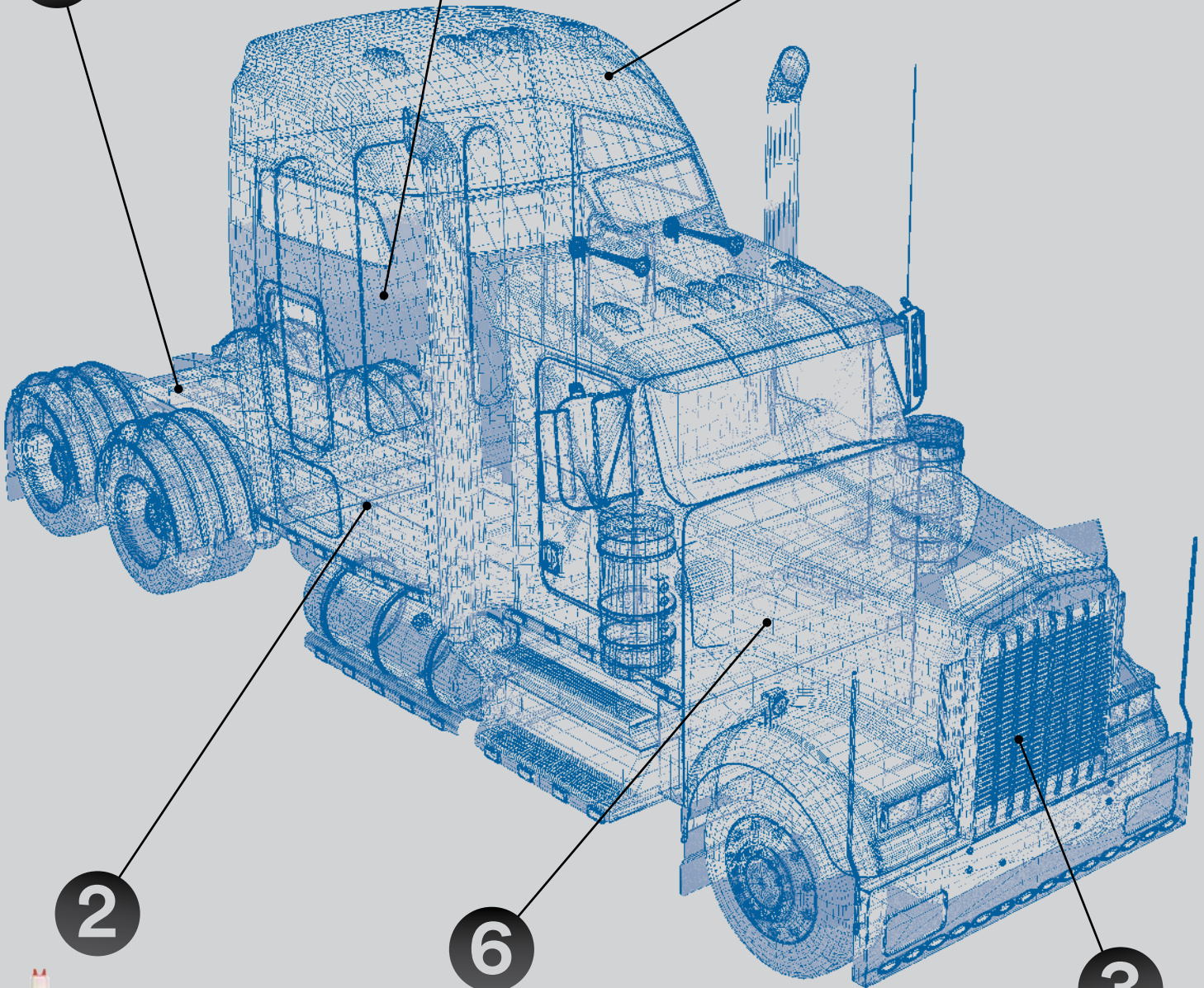


5

Spray Equipment



4



2

6

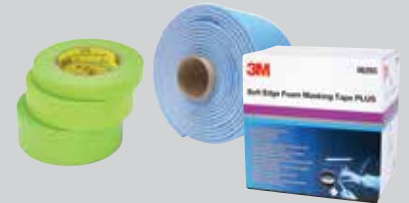
3



Adhesives and Fillers



Finishing and Detailing



Masking

Process for Success

From metal and plastic repair, to sanding, paint finishing and truck clean-up, 3M has the products and repair processes for you. Feel confident your repair is done professionally and efficiently using our **Standard Operating Procedures (SOP)**. These procedures will help you consistently produce quality, time-proven solutions for any of your collision repair needs.



3M™ Products for Truck Repair, Parts Preparation and Truck Detailing

Part No.	Description	Quantity
Sanding and Grinding		
31371	3M™ Cubitron™ II Clean Sanding Hookit™ Abrasive Disc, 6 in, 80+ grade	50/box 4 boxes/case
33445	3M™ Cubitron™ II File Belt, 1/2 in x 18 in, 60+ grade	10/box 5 boxes/case
33471	3M™ Cubitron™ II Flap Disc, T29, 4-1/2 in x 7/8 in, 60+ grade	5/box 6 boxes/case
33460	3M™ Cubitron™ II Cut-Off Wheel, 4 in x 1/25 in x 3/8 in	5/box 6 boxes/case
33391	3M™ Cubitron™ II Fibre Roloc™ Disc, 3 in, 60+ grade	15/box 6 boxes/case
33581	3M™ Cut-Off Wheel Tool, 4 in	1/case
33575	3M™ File Belt Sander, 18 in	1/case
33577	3M™ Pistol Grip Disc Sander	1/case
Welding and Corrosion Protection		
05916	3M™ Welding and Spark Deflection Paper, 24 in x 150 ft	2 rolls/case
05917	3M™ Weld-Thru Coating II, 12.75 oz. aerosol can	6/case
08851	3M™ Cavity Wax Plus Applicator Wand Kit, 8 in, 24 in and 34 in tubes	12 kits/case
08852	3M™ Cavity Wax Plus, 18 oz. aerosol can	4/case
Adhesives and Fillers		
08273	3M™ SMC/FRP Repair - 35, 400mL cartridge	6/case
08274	3M™ SMC/FRP Repair - 90, 400mL cartridge	6/case
08275	3M™ Rigid Parts Repair, 400mL cartridge	6/case
08277	3M™ Fiberglass Mat Adhesive, 400mL cartridge	6/case
05907	3M™ Polyolefin Adhesion Promoter, 12 oz. aerosol can	6/case
01131	3M™ Platinum™ Plus Body Filler, 1 gallon can	4/case
05862	3M™ Platinum™ Glaze for DMS, 276mL cartridge	6/case
Spray Equipment		
16580	3M™ Accuspray™ ONE Spray Gun System with PPS™, 4 atomizing heads, air flow control valve, 22oz mixing cup and collar, 5 disposable lids and liners, sealing plugs, color ID clips	1 kit/case
16024	3M™ PPS™ Lids and Liners Kit, Large 28oz, 25 disposable lids with 200 micron filters, 25 disposable liners, 10 sealing plugs	1 kit/case
16023	3M™ PPS™ Cup and Collar, Large 28oz	1/box 4 boxes/case
36853	3M™ Dirt Trap Protection Material, 56 in x 300 ft	1 roll/case

Part No.	Description	Quantity
Masking		
06293	3M™ Soft Edge Foam Masking Tape PLUS, 21mm x 49m	1 box/case
26334	Scotch® Performance Green Masking Tape 233+, 18mm x 55m	48 rolls/case
26338	Scotch® Performance Green Masking Tape 233+, 36mm x 55m	16 rolls/case
26340	Scotch® Performance Green Masking Tape 233+, 48mm x 55m	12 rolls/case
Finishing and Detailing		
30666	3M™ Purple Finishing Film Hookit™ Disc, 6 in, P2000 grade	50/box 4 boxes/case
02085	3M™ Trizact™ Hookit™ Foam Discs, 6 in, 3000 grit	12/box 4 boxes/case
36061	3M™ Perfect-It™ EX Rubbing Compound, 1 gallon	4 bottles/case
06095	3M™ Perfect-It™ EX Machine Polish, 1 gallon	4 bottles/case
06069	3M™ Perfect-It™ EX Ultrafine Machine Polish, 1 gallon	4 bottles/case
33279	3M™ Perfect-It™ Low Linting 100% Wool Compound Pad, 9 in, Double Sided, Quick Connect	4/case
05706	3M™ Perfect-It™ Foam Compounding Pad, 9 in, Double Sided, Quick Connect	6/case
05707	3M™ Perfect-It™ Foam Polishing Pad, 8 in, Double Sided, Quick Connect	6/case
05708	3M™ Perfect-It™ Ultrafine Foam Polishing Pad, 8 in, Double Sided, Quick Connect	6/case
05752	3M™ Quick Connect Adaptor, 5/8 in thread	10/case
29940	Festool Rotary Polisher SHINEX RAP 150-14 FE	—
Personal Protective Equipment		
P1400	3M™ E-A-R™ Pistonz™ Uncorded Earplugs	100 pairs/box 4 boxes/case
H6B/V	3M™ PELTOR™ Optime™ 95 Behind-the-Head Earmuffs	10/case
07189	3M™ Particulate Welding Respirator, N95	10/box 8 boxes/case
07183	3M™ Half Facepiece Respirator Packout with 3M™ Particulate Filters, P100, Large	20/case
82783	3M™ H8A Headgear/WP96 Faceshield	5/case
SF201AF	3M™ SecureFit™ Protective Eyewear	20/case
49807	3M™ Protective Coverall 4540+, Disposable Safety Work Wear, Large	25/case

3MCollision.com/HDtruck

For SOPs, individual product instructions, product material safety data sheets and applicable precautions see product labels and associated literature for the individual product at 3MCollision.com



Automotive Aftermarket Division
3M Center, Building 223-6N-01
St. Paul, MN 55144 USA

Phone 1-877-666-2277
Web 3MCollision.com



Before using 3M products please read all applicable product labels/warnings/inserts/SDSs for health and safety information. Conduct an evaluation to determine what equipment is appropriate for your particular applications and settings, including a hazard assessment and review of any regulations applicable to your workplace.



Product Use: Many factors beyond 3M's control and uniquely within user's knowledge and control can affect the use and performance of a 3M product in a particular application. Given the variety of factors that can affect the use and performance of a 3M product, user is solely responsible for evaluating the 3M product and determining whether it is fit for a particular purpose and suitable for user's method of application.

Warranty, Limited Remedy, and Disclaimer: Unless an additional warranty is specifically stated on the applicable 3M product packaging or product literature, 3M warrants that each 3M product meets the applicable 3M product specification at the time 3M ships the product. 3M MAKES NO OTHER WARRANTIES OR CONDITIONS, EXPRESS OR IMPLIED, INCLUDING, BUT NOT LIMITED TO, ANY IMPLIED WARRANTY OR CONDITION OF MERCHANTABILITY OR FITNESS FOR A PARTICULAR PURPOSE OR ANY IMPLIED WARRANTY OR CONDITION ARISING OUT OF A COURSE OF DEALING, CUSTOM OR USAGE OF TRADE. If the 3M product does not conform to this warranty, then the sole and exclusive remedy is, at 3M's option, replacement of the 3M product or refund of the purchase price.

Limitation of Liability: Except where prohibited by law, 3M will not be liable for any loss or damage arising from the 3M product, whether direct, indirect, special, incidental or consequential, regardless of the legal theory asserted, including warranty, contract, negligence or strict liability.

3M, Accuspray, Cubitron, E-A-R, Hookit, Optime, Perfect-It, Pistonz, Platinum, PPS, SecureFit and Trizact are trademarks of 3M Company. PELTOR is a trademark of 3M Svenska AB, used under license in Canada. Scotch is a registered trademark of 3M. All other trademarks are property of their respective owners. Please recycle. Printed in USA. © 3M 2017. All rights reserved. 60-4402-7949-9