

# UL System No. C-AJ-0163

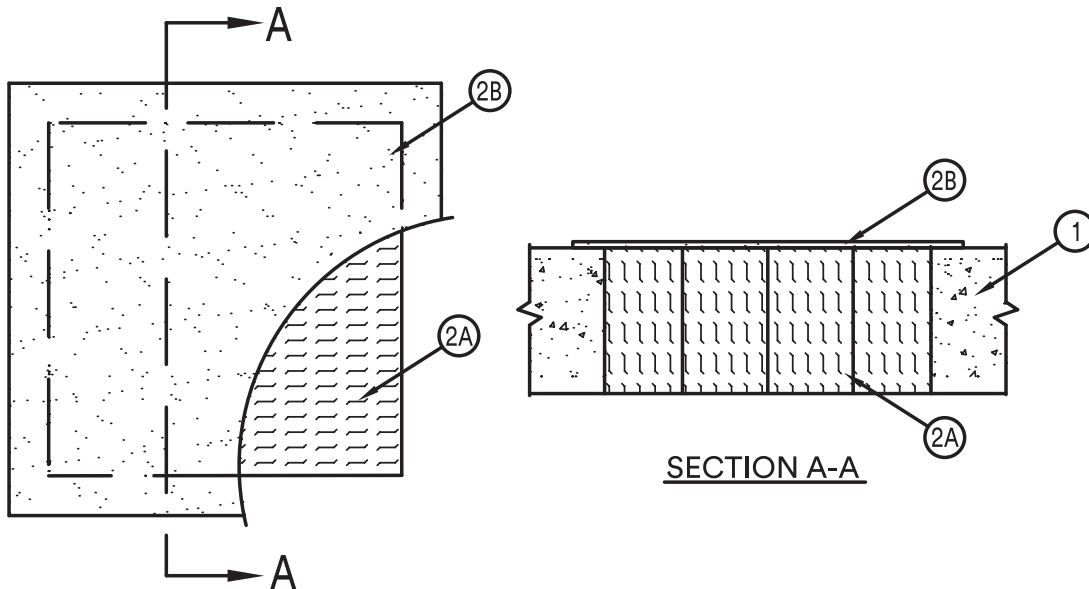
January 26, 2017

## ANSI/UL1479 (ASTM E814)

F Rating – 2 Hr  
 T Rating – 2 Hr  
 L Rating At Ambient – Less Than 1 CFM/ft<sup>2</sup>  
 L Rating At 400°F – 1 CFM/ft<sup>2</sup> and Less Than 1 CFM/ft<sup>2</sup> (See Item 2)  
 W Rating – Class 1 (see Item 1)

## CAN/ULC S115

F Rating – 2 Hr  
 FT Rating – 2 Hr  
 FH Rating – 2 Hr  
 FTH Rating – 2 Hr  
 L Rating At Ambient – Less Than 5.08 L/s/m<sup>2</sup>  
 L Rating At 400°F – 5.08 L/s/m<sup>2</sup> and Less Than 5.08 L/s/m<sup>2</sup> (See Item 2)



1. **Floor or Wall Assembly** – Min 4-1/2 in. (114 mm) thick reinforced lightweight or normal weight (100-150 pcf or 1600-2400 kg/m<sup>3</sup>) structural concrete floor or wall. Wall may also be constructed of any UL Classified solid **Concrete Blocks\***. Max area of opening to be 64 in<sup>2</sup> (413 cm<sup>2</sup>) with maximum dimension of 8 in. (203 mm). **W Rating applies to floor installations only.**  
 See **Concrete Blocks** (CAZT) in the Fire Resistance Directory for names of manufacturers.
2. **Firestop System** – The firestop system shall consist of the following:
  - A. **Packing Material** – Min 4-1/2 in. (114 mm) thickness of min 4 pcf (64 kg/m<sup>3</sup>) mineral wool batt insulation compressed 50 percent into opening as a permanent form. Packing material to be installed flush with top surface of floor or both surfaces of wall assembly.
  - B. **Fill, Void or Cavity Material\*** – Min 1/10 in. (2.5 mm) wet (and dry) of fill material sprayed or brushed on top surface of floor to completely cover mineral wool and overlap a min of 1/2 in. (13 mm) onto top surface of concrete floor or both surfaces of wall.
    - 3M COMPANY** – 3M Fire Barrier Watertight Spray
    - B1. Fill, Void or Cavity Material\* – Tape** – As an alternate to Item 2B, Tape cut to size and press applied to top surface of floor or both surfaces of wall to completely cover mineral wool and overlap a min of 1 in. (25 mm) onto the concrete floor or wall around periphery of opening.
      - 3M COMPANY** – 3M Fire and Water Barrier Tape

**When Item 2B (Spray) is used, the L Rating at 400°F is less than 1 CFM/ft<sup>2</sup> (5.08 L/s/m<sup>2</sup>). When Item 2B1 (Tape) is used, the L Rating at 400°F is 1 CFM/ft<sup>2</sup> (5.08 L/s/m<sup>2</sup>).**

\*Indicates such products shall bear the UL or cUL Certification Mark for jurisdictions employing the UL or cUL Certification (such as Canada), respectively. 

Reprinted from the Online Certifications Directory with permission from UL©

Through Penetrations

Blanks

0000 Series

Concrete

CAJ