

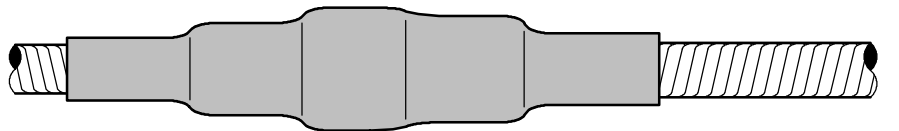
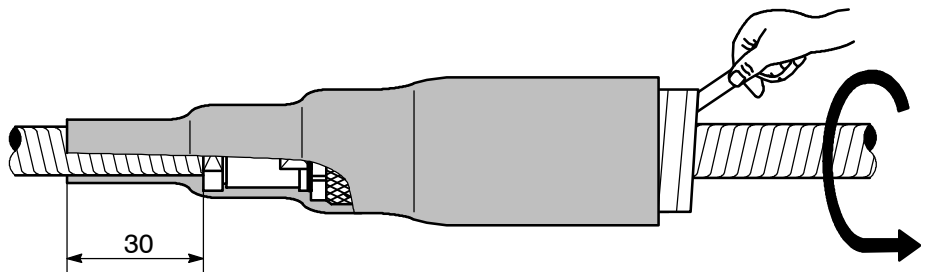
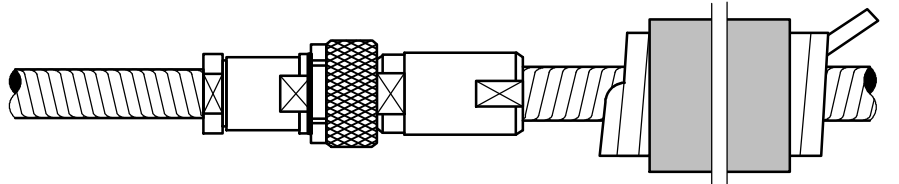
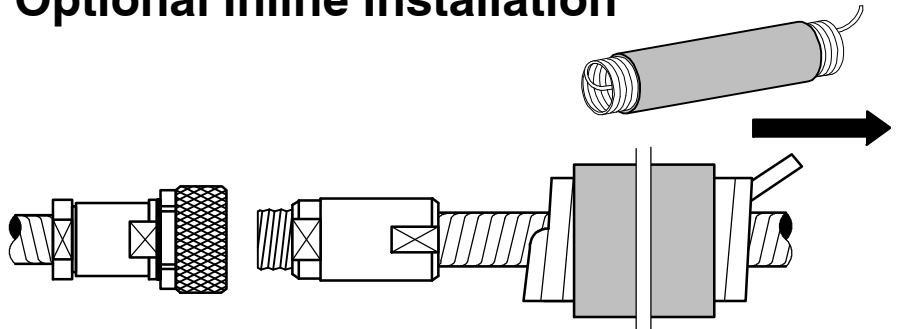
1. With the loose end of the plastic tab towards the cable, slide the 3M Cold Shrink tube over the connector and cable prior to connecting.

2. Make the connection and torque to the manufacturer's recommended specification. Clean the connector and cable insulation.

3. Position the 3M Cold Shrink tube until the plastic spiral touches the bulkhead fitting. While pressing the plastic spiral against the bulkhead fitting, pull on the loose end of the plastic tab while unwinding in a counter-clockwise direction. The 3M Cold Shrink tube should be flush against the bulkhead flange to ensure a good seal.

4. Installation is complete when the plastic spiral is removed from the 3M Cold Shrink tube.

## Optional Inline Installation



ISSUE: **3**

ISSUE DATE: **19.01.2017**

**Please note:** This product may only be assembled by trained specialized personnel according to these assembly instructions. The preceding specifications are the result of in-depth research. They correspond to the state of our experience. A test by you will convince you of the excellent properties of the 3M products. Verify yourself whether these products are suitable for your purposes. All questions regarding a warranty liability are governed by our terms of sale, unless legal provisions provide differently.

<b>AABBCC00754</b>	
Language:	<b>English</b>
Drawn:	<b>R. Horst</b>
Checked:	<b>R. Hornig</b>

1. ISSUE DATE:	<b>28.11.01</b>
1. CHANGE DATE:	<b>16.11.16</b>
2. CHANGE DATE:	<b>19.01.17</b>
3. CHANGE DATE:	
4. CHANGE DATE:	

**3M Deutschland GmbH**

**3M Electrical Products**

**3M Cold Shrink**  
**98-KC 11 (7/16 DIN)**  
 Cable Range: 13,5 mm (.53")/39 mm (1.53") Diameter  
 Coax Connector Sealing Kit  
**XE-0091-2787-1**