



The Ultimate in Fall Protection

ADVANCED CENTER MOUNT FIXED CONCRETE SLEEVES

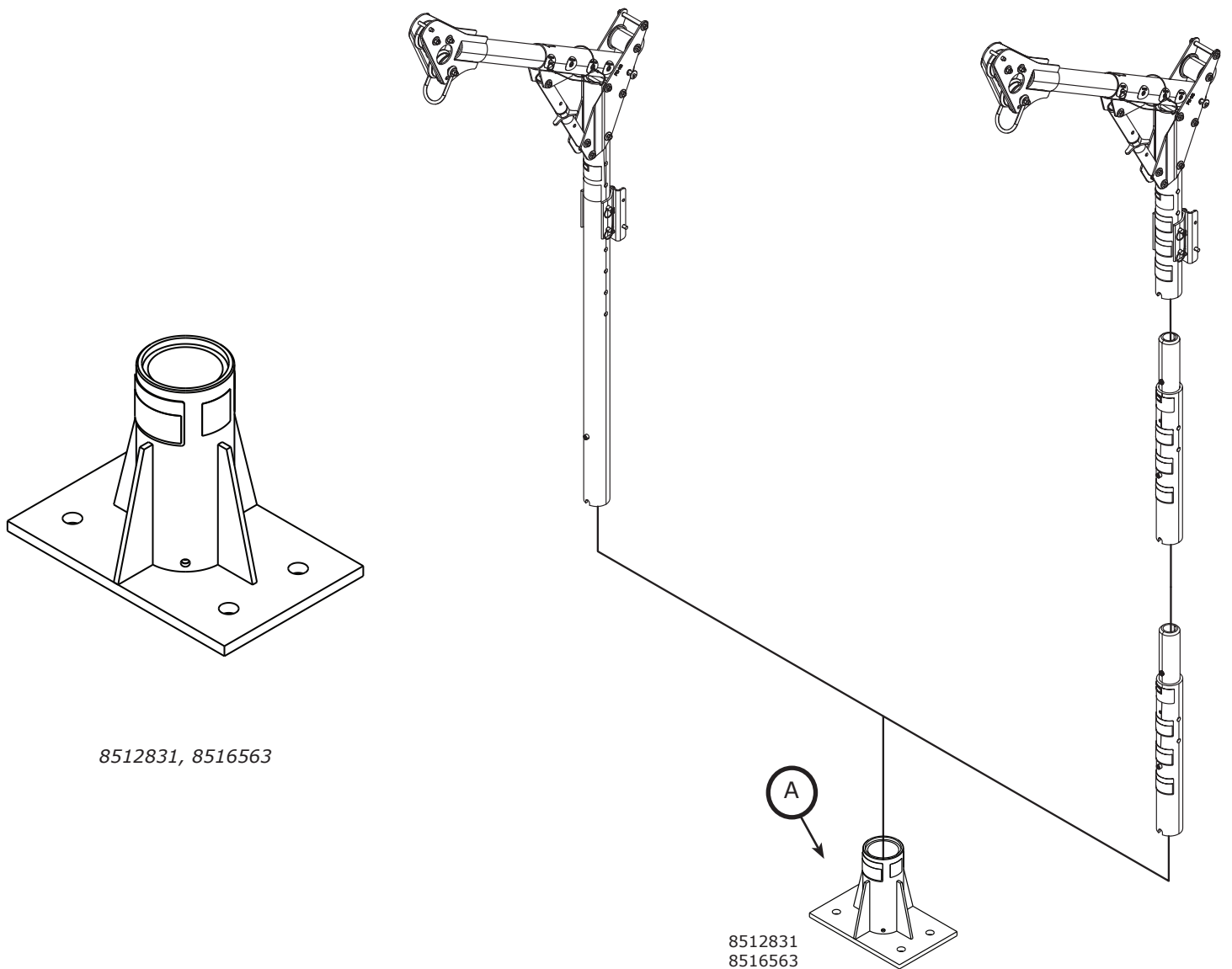
Model Numbers: 8512831, 8516563

INSTRUCTION MANUAL

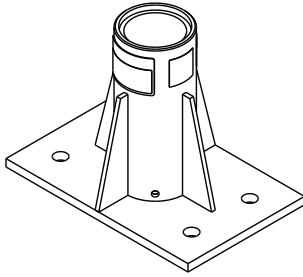
ANSI Z359.1

This manual is intended to meet the Manufacturer's Instructions as required by ANSI Z359.1 and should be used as part of an employee training program as required by OSHA

Figure 1 – 8512831 8516563



1. SPECIFICATIONS



DESCRIPTION:

The DBI-SALA Center Mount Concrete Sleeves are designed for mounting to horizontal concrete or steel structures.



THESE BASES ARE ONLY COMPATIBLE WITH DBI SALA ADVANCED DAVIT MASTS AND EXTENSIONS.

IMPORTANT: All connecting systems, (self retracting lifelines, winches and energy absorbing lanyards) used with the davit arm and base system shall limit the average arresting forces to 900 lbs (4 kN).

GENERAL SPECIFICATIONS - MODEL 8512831:

Capacity (one user)	450 lbs (205 kg)
Working Load Limit: Minimum 4:1 Safety Factor	
Vertical Load	5000 lbs (22.2 kN)

MATERIALS & CONSTRUCTION:

General Construction	Welded Steel
Material	Mild Steel
Finish (Steel)	Zinc Plated
Plating Specification	ASTM Designation B633, Type II, Class 1

APPLICATION RESTRICTIONS:

For use with Capital Safety Systems products & accessories only.

Each installation must be approved to local standards by a qualified engineer.

If base material does not meet the minimum requirements, reinforcement must be added to meet the minimum requirements.

GENERAL SPECIFICATIONS - MODEL 8516563

Capacity (one user)	450 lbs (205 kg)
Working Load Limit: Minimum 4:1 Safety Factor	
Vertical Load	5000 lbs (22.2 kN)

MATERIALS & CONSTRUCTION:

General Construction	Stainless Steel
Material	304 SS
Finish (Stainless Steel)	Brush Blast
Plating Specification	None

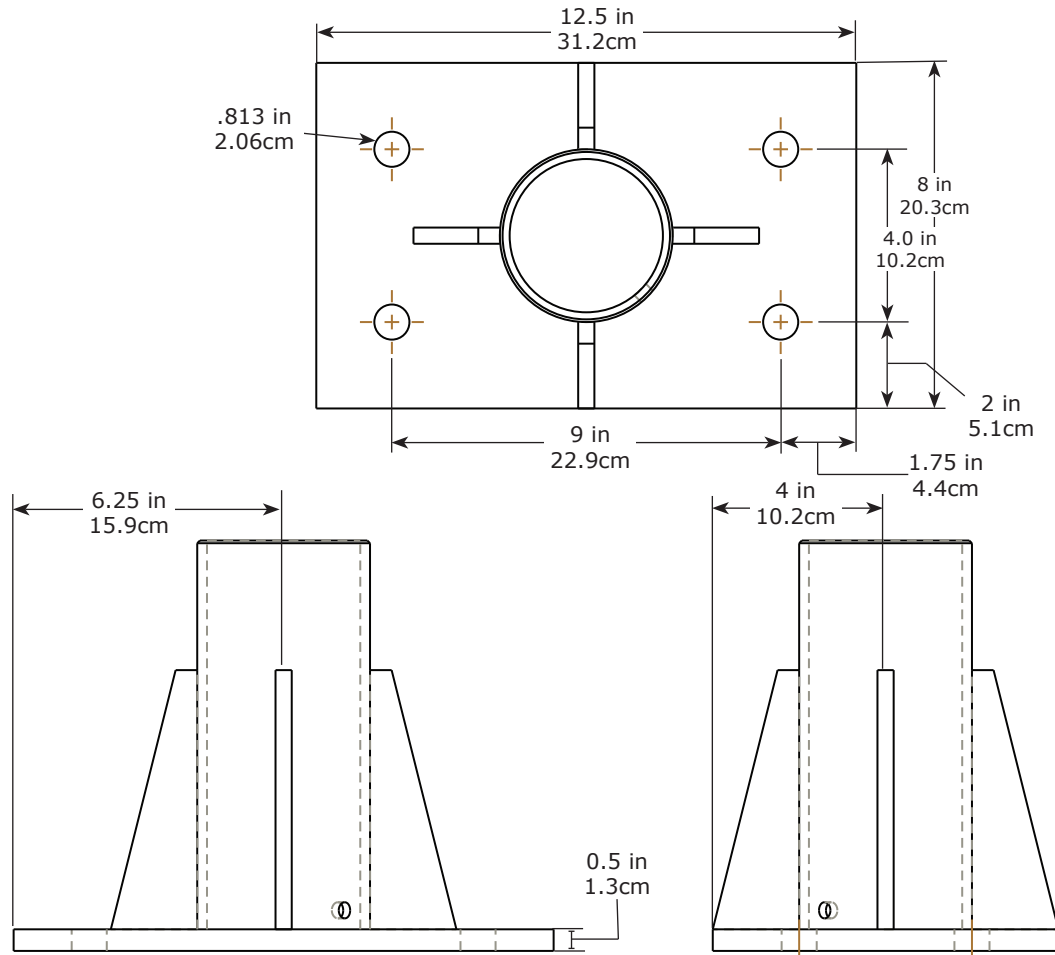
APPLICATION RESTRICTIONS:

For use with Capital Safety Systems products & accessories only.

Each installation must be approved to local standards by a qualified engineer.

If base material does not meet the minimum requirements, reinforcement must be added to meet the minimum requirements.

Figure 2 – Base Dimensions



WARNING: The installers shall ensure the suitability of base materials into which structural anchor devices are fixed with every fixation.

Where an anchor device is intended to be used exclusively for personal protective equipment, it should be clearly marked by pictogram, or other clearly seen and understood marking, on or near the anchor device, clearly stating that the device is designed exclusively for use of personal protective equipment. Anchor devices are only to be used with ANSI marked fall arrest systems, which will generate forces not to exceed average arresting forces of 900 lbs (4kN) at the anchor device.

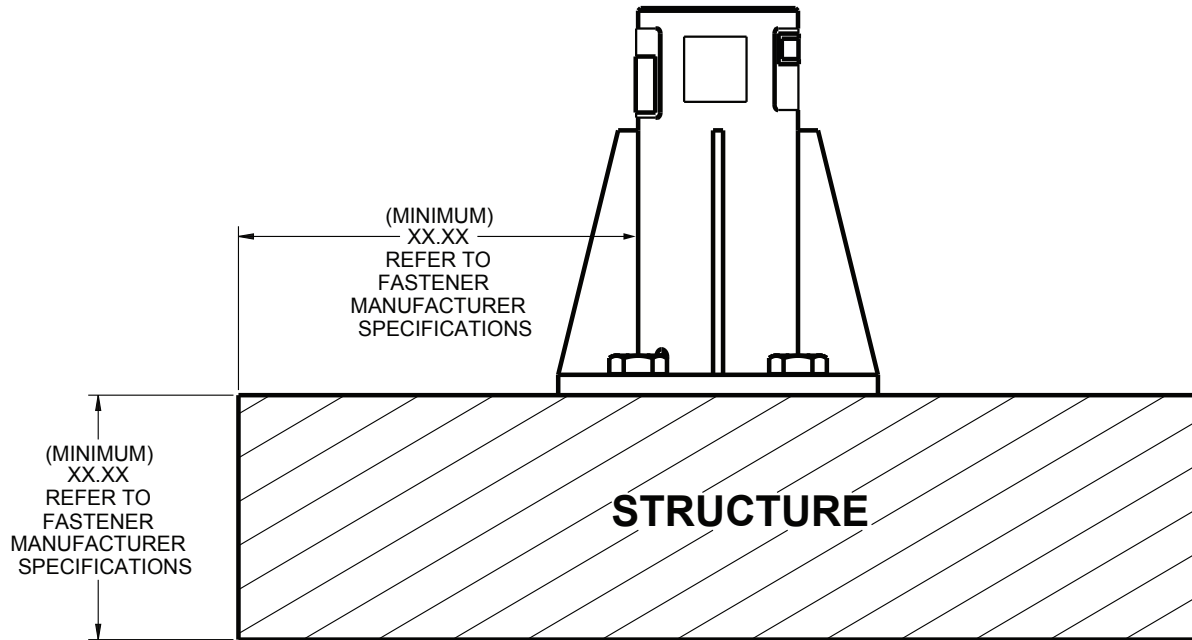
Due care should be taken to assess the suitability of all transportable temporary anchor devices and any associated fixings for the application in which it is to be used. The viability of any installation should be verifiable by a qualified engineer.

IMPORTANT: This base is not designed for welding application, and should be bolted in place. For bases designed to be welded in place, please contact Capital Safety.

2. MOUNTING REQUIREMENT MINIMUMS

Table 1 – Mounting Requirement Minimums

	29 inches (73.6cm) Offset	44 inches (112cm) Offset
Max Pullout Force Per Fastener	5,700 lb (25.4 kN)	6,750 lb (30.0 kN)
Shear Force	N/A	N/A
Max Moment Load on Structure	76,000 lbs*in (8.6 kN *m)	90,000 lb*in (10.2 kN*m)
Max Vertical Load on Structure	5,000 lbs (22.2 kN)	5,000 lbs (22.2 kN)



*** NOTE:** Meets OSHA requirements for engineered anchor points.

NOTE: These numbers are based on a safety factor of 2:1. Refer to the fastener manufacturer specifications for fastener safety factors. Capital Safety recommends maintaining at least a safety factor of 2:1. Multiple safety factors must be taken into account when determining fasteners.

IMPORTANT: Base installation must be approved to local regulations by a qualified engineer. Refer to the fastener manufacturer for location of the fasteners, structure thickness, and structure type requirements.

WARNING: Failure to follow *Mounting Requirement Minimums* and *Installation* instructions may lead to severe injury and/or death.

3. INSTALL

WARNING: It is imperative that the base be installed perpendicular to the ground. Severe injury and/or death may result if the base is installed incorrectly. If there are any questions pertaining to the installation or the base in general, contact Capital Safety.

WARNING: Failure to follow *Mounting Requirement Minimums* and *Installation* instructions may lead to severe injury and/or death.

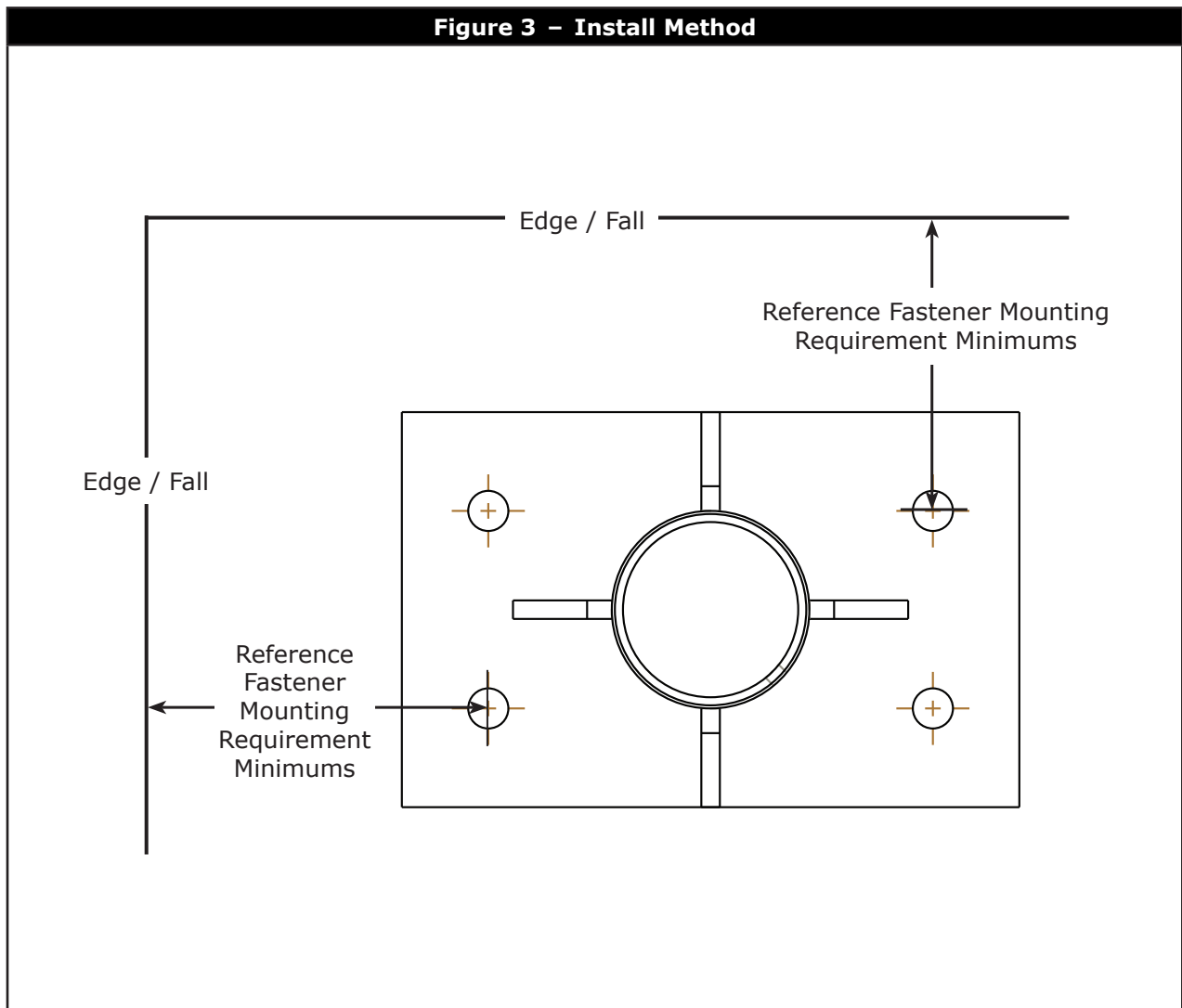
IMPORTANT: All mounting hardware must be able to withstand a minimum pull out force of 6,750 lbs (30.0 kN) each if using a 44 inches (112cm) offset. If a 29 inches (73.6cm) offset is used, a minimum pullout 5,700 lbs (25.4 kN) is required. See Table 1 for specific installation guidelines. (2:1 safety factor.)

1. Place davit base upright and perpendicular to the ground. (See Figure 3 below.) Using a Specification approved drill bit and the davit base as a guide, drill four holes into the structure.

IMPORTANT: A qualified engineer must verify the structural installation meets local and federal regulations

IMPORTANT: A qualified engineer must recommend the appropriate fasteners and determine proper base placement on the mount structure.

2. Using a Specification approved drill bit based on the fastener chosen, and using the davit base as a guide, drill four holes into the deck.
3. Install the Specification approved hardware.
4. Inspect davit base to ensure that it is secure and perpendicular to ground.



4. DAVIT BASE INSPECTION:

BEFORE EACH USE:

IMPORTANT: Extreme working conditions (harsh environments, prolonged use) may require increasing the frequency of inspections.

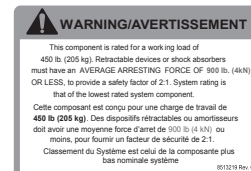
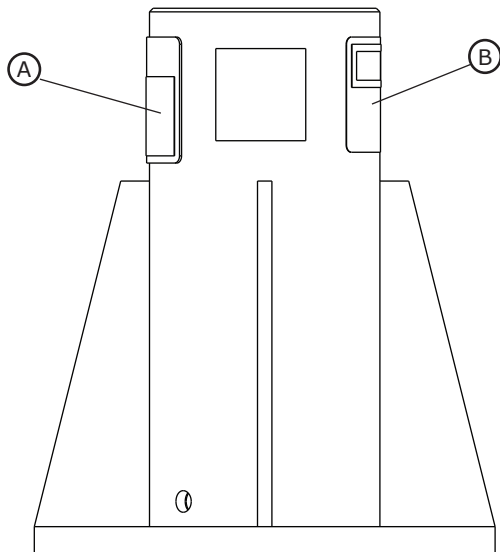
WARNING: If the base has been subjected to fall arrest forces, it must be immediately removed from service and inspected. If the floor mount base fails inspection, remove from service and destroy, or contact Capital Safety for repair or replacement.

Table 2 – Inspection and Maintenance Log

Serial Number(s):		Date Purchased:	
Model Number:		Date of First Use:	
Inspected By:		Inspection Date:	
Component:	Inspection:	Authorized Person or Rescuer	Competent Person
Davit Base	Ensure all bolts are secure and not damaged.	<input type="checkbox"/>	<input type="checkbox"/>
	Base should be inspected directly after installation and at same intervals as the arresting system for similar defects and/or unsafe conditions.	<input type="checkbox"/>	<input type="checkbox"/>
	All labels must be present and fully legible.	<input type="checkbox"/>	<input type="checkbox"/>
	If inspection reveals an unsafe or defective condition, remove the base from service and destroy, or contact Capital Safety for repair or replacement.	<input type="checkbox"/>	<input type="checkbox"/>
	Look for signs of corrosion on the entire unit.	<input type="checkbox"/>	<input type="checkbox"/>
Corrective Action/Maintenance:		Approved By:	
		Date:	
Corrective Action/Maintenance:		Approved By:	
		Date:	
Corrective Action/Maintenance:		Approved By:	
		Date:	
Corrective Action/Maintenance:		Approved By:	
		Date:	
Corrective Action/Maintenance:		Approved By:	
		Date:	
Corrective Action/Maintenance:		Approved By:	
		Date:	
Corrective Action/Maintenance:		Approved By:	
		Date:	
Corrective Action/Maintenance:		Approved By:	
		Date:	
Corrective Action/Maintenance:		Approved By:	
		Date:	
Corrective Action/Maintenance:		Approved By:	
		Date:	

Corrective Action/Maintenance:	Approved By:
	Date:
Corrective Action/Maintenance:	Approved By:
	Date:
Corrective Action/Maintenance:	Approved By:
	Date:
Corrective Action/Maintenance:	Approved By:
	Date:
Corrective Action/Maintenance:	Approved By:
	Date:
Corrective Action/Maintenance:	Approved By:
	Date:
Corrective Action/Maintenance:	Approved By:
	Date:
Corrective Action/Maintenance:	Approved By:
	Date:
Corrective Action/Maintenance:	Approved By:
	Date:
Corrective Action/Maintenance:	Approved By:
	Date:
Corrective Action/Maintenance:	Approved By:
	Date:

5. DAVIT BASE LABELS



LIMITED LIFETIME WARRANTY

Warranty to End User: D B Industries, LLC dba CAPITAL SAFETY USA ("CAPITAL SAFETY") warrants to the original end user ("End User") that its products are free from defects in materials and workmanship under normal use and service. This warranty extends for the lifetime of the product from the date the product is purchased by the End User, in new and unused condition, from a CAPITAL SAFETY authorized distributor. CAPITAL SAFETY'S entire liability to End User and End User's exclusive remedy under this warranty is limited to the repair or replacement in kind of any defective product within its lifetime (as CAPITAL SAFETY in its sole discretion determines and deems appropriate). No oral or written information or advice given by CAPITAL SAFETY, its distributors, directors, officers, agents or employees shall create any different or additional warranties or in any way increase the scope of this warranty. CAPITAL SAFETY will not accept liability for defects that are the result of product abuse, misuse, alteration or modification, or for defects that are due to a failure to install, maintain, or use the product in accordance with the manufacturer's instructions.

CAPITAL SAFETY'S WARRANTY APPLIES ONLY TO THE END USER. THIS WARRANTY IS THE ONLY WARRANTY APPLICABLE TO OUR PRODUCTS AND IS IN LIEU OF ALL OTHER WARRANTIES AND LIABILITIES, EXPRESSED OR IMPLIED. CAPITAL SAFETY EXPRESSLY EXCLUDES AND DISCLAIMS ANY IMPLIED WARRANTIES OF MERCHANTABILITY OR FITNESS FOR A PARTICULAR PURPOSE, AND SHALL NOT BE LIABLE FOR INCIDENTAL, PUNITIVE OR CONSEQUENTIAL DAMAGES OF ANY NATURE, INCLUDING WITHOUT LIMITATION, LOST PROFITS, REVENUES, OR PRODUCTIVITY, OR FOR BODILY INJURY OR DEATH OR LOSS OR DAMAGE TO PROPERTY, UNDER ANY THEORY OF LIABILITY, INCLUDING WITHOUT LIMITATION, CONTRACT, WARRANTY, STRICT LIABILITY, TORT (INCLUDING NEGLIGENCE) OR OTHER LEGAL OR EQUITABLE THEORY.



Global Leader in Fall Protection

USA

3833 SALA Way
Red Wing, MN 55066-5005
Toll Free: 800.328.6146
Phone: 651.388.8282
Fax: 651.388.5065
solutions@capitalsafety.com

Brazil

Rua Anne Frank, 2621
Boqueirão Curitiba PR
81650-020
Brazil
Phone: 0800-942-2300
brasil@capitalsafety.com

Mexico

Calle Norte 35, 895-E
Col. Industrial Vallejo
C.P. 02300 Azcapotzalco
Mexico D.F.
Phone: (55) 57194820
mexico@capitalsafety.com

Colombia

Compañía Latinoamericana de Seguridad S.A.S.
Carrera 106 #15-25 Interior 105 Manzana 15
Zona Franca - Bogotá, Colombia
Phone: 57 1 6014777
servicioalcliente@capitalsafety.com

Canada

260 Export Boulevard
Mississauga, ON L5S 1Y9
Phone: 905.795.9333
Toll-Free: 800.387.7484
Fax: 888.387.7484
info.ca@capitalsafety.com

EMEA (Europe, Middle East, Africa)

EMEA Headquarters:
5a Merse Road
North Moons Moat
Redditch, Worcestershire
B98 9HL UK
Phone: + 44 (0)1527 548 000
Fax: + 44 (0)1527 591 000
csgne@capitalsafety.com

France:

Le Broc Center
Z.I. 1re Avenue - BP15
06511 Carros Le Broc Cedex
France
Phone: + 33 04 97 10 00 10
Fax: + 33 04 93 08 79 70
information@capitalsafety.com

Australia & New Zealand

95 Derby Street
Silverwater
Sydney NSW 2128
Australia
Phone: +(61) 2 8753 7600
Toll-Free : 1800 245 002 (AUS)
Toll-Free : 0800 212 505 (NZ)
Fax: +(61) 2 8753 7603
sales@capitalsafety.com.au

Asia

Singapore:
69, Ubi Road 1, #05-20
Oxley Bizhub
Singapore 408731
Phone: +65 - 65587758
Fax: +65 - 65587058
inquiry@capitalsafety.com

Shanghai:

Rm 1406, China Venturetech Plaza
819 Nan Jing Xi Rd,
Shanghai 200041, P R China
Phone: +86 21 62539050
Fax: +86 21 62539060
inquiry@capitalsafety.cn

www.capitalsafety.com

