



The Ultimate in Fall Protection

### Adjustable Rope Positioning Lanyard

Model Number: 1234083

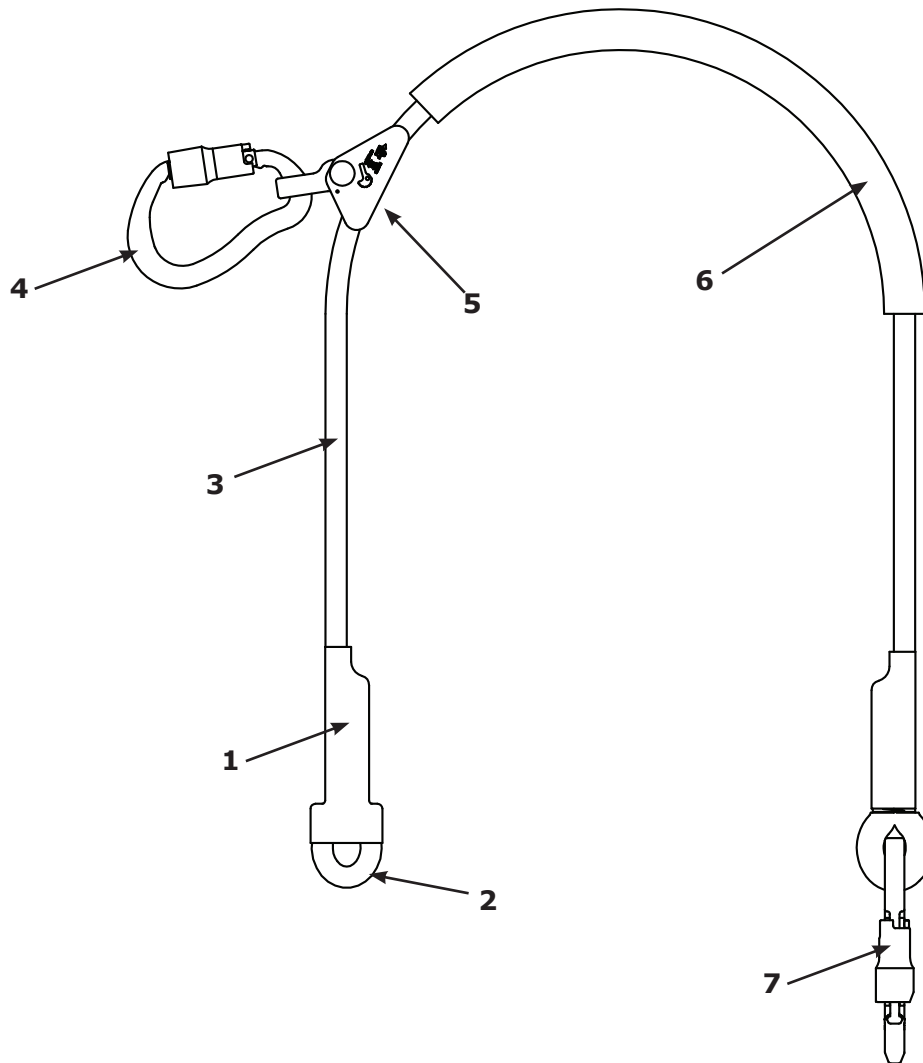
*Please read this User Manual Supplement carefully before installing and using this product.*

### **INSTRUCTION SUPPLEMENT:**

*This manual is intended to meet the Manufacturer's Instructions as recommended by OSHA, and should be used as part of an employee training program.*

This supplemental instruction should be used with user instruction manual 5903153: Adjustable Rope Positioning Lanyard.

**Figure 1 - Model 1234083**



- 1 - Label Location
- 2 - Stitched Rope End
- 3 - Wear-Indicating Rope
- 4 - Carabiner
- 5 - Rope Adjuster
- 6 - Abrasion Resistant Sleeve
- 7 - Locking snap Hook

#### **DESCRIPTION:**

Figure 1 above identifies Adjustable Rope Positioning Lanyards covered by this instruction supplement.

**IMPORTANT:** If you have questions on the use, care, or suitability of this equipment for your application, contact Capital Safety.

**IMPORTANT:** Before using this equipment, record the product identification information from the ID label in the "Inspection and Maintenance Log" in the 5903153 instruction.

## 1.0 APPLICATIONS:

**1.1a PURPOSE:** This supplemental instruction contains information specific to Adjustable Rope Positioning Lanyards that meet OSHA standards 1910.269, 1926.502 and 1926.954.

## 7.0 CLEANING/MAINTENANCE/STORAGE/SPECIFICATIONS:

### 7.4a MATERIALS:

**Rope:** • Model 1234083: Technora/Nylon

### 7.5a STRENGTH AND CAPACITY:


**Rope:** • Model 1234083: 12,000 lbs. tensile strength, 310 lbs. capacity.

**7.6a** Lanyard model 1234083 meets OSHA 1910.269, 1926.502, and 1926.954 requirements.

## 8.0 LABELS

The following labels must be attached to the lanyard and fully legible:

### Model 1234083

 www.capitalsafety.com Capital Safety Red Wing, MN, USA +1-800-328-6146	<b>⚠ WARNING</b> THIS PRODUCT SHALL BE USED AS AN ADJUSTABLE LANYARD FOR WORK POSITIONING ONLY. NOT INTENDED FOR FALL ARREST. MANUFACTURER'S INSTRUCTIONS MUST BE READ AND UNDERSTOOD PRIOR TO USE. INSPECT BEFORE EACH USE. AVOID CONTACT WITH SHARP EDGES AND ABRASIVE SURFACES. MAKE ONLY COMPATIBLE CONNECTIONS.
	USER WEIGHT SHALL NOT EXCEED 310 LBS WHEN FULLY EQUIPPED. MATERIAL: 1/2 INCH TECHNORA/NYLON ROPE
MODEL NO:      MFRD (YR/MO):      LOT NO:      LENGTH (FT):	<b>THIS PRODUCT MEETS:</b> <b>OSHA 1910.269</b> <b>1926.502</b> <b>1926.954</b>



The Ultimate in Fall Protection

### CSG USA & Latin America

3833 SALA Way  
Red Wing, MN 55066-5005  
Toll Free: 800.328.6146  
Phone: 651.388.8282  
Fax: 651.388.5065  
solutions@capitalsafety.com

### CSG Canada

260 Export Boulevard  
Mississauga, ON L5S 1Y9  
Phone: 905.795.9333  
Toll-Free: 800.387.7484  
Fax: 888.387.7484  
info.ca@capitalsafety.com

### CSG Northern Europe

5a Merse Road  
North Moons, Moat  
Reditch, Worcestershire, UK  
B98 9HL  
Phone: + 44 (0)1527 548 000  
Fax: + 44 (0)1527 591 000  
csgne@capitalsafety.com

### CSG EMEA (Europe, Middle East, Africa)

Le Broc Center  
Z.I. 1ère Avenue  
5600 M B.P. 15 06511  
Carros  
Le Broc Cedex  
France  
Phone: + 33 4 97 10 00 10  
Fax: + 33 4 93 08 79 70  
information@capitalsafety.com

### CSG Australia & New Zealand

95 Derby Street  
Silverwater  
Sydney NSW 2128  
AUSTRALIA  
Phone: +(61) 2 8753 7600  
Toll-Free : 1 800 245 002 (AUS)  
Toll-Free : 0800 212 505 (NZ)  
Fax: +(61) 2 8753 7603  
sales@capitalsafety.com.au

### CSG Asia

*Singapore:*  
16S, Enterprise Road  
Singapore 627666  
Phone: +65 - 65587758  
Fax: +65 - 65587058  
inquiry@capitalsafety.com

### *Shanghai:*

Rm 1406, China Venturetech Plaza  
819 Nan Jing Xi Rd,  
Shanghai 200041, P R China  
Phone: +86 21 62539050  
Fax: +86 21 62539060

www.capitalsafety.com

