

## Installation Sheet 5903448 - Wire Rope Loop Termination

### Materials:

- ❑ 3/16 in Galvanized Wire Rope Cable - P/N 6160028 or equivalent (must be approved by Capital Safety)
- ❑ Wire Rope U-Loop Splice Compression Connector - P/N 9506922

### Tools:

- ❑ Swage Die Set - P/N 9600003
- ❑ Compression Tool, 12 Ton, 1 inch Jaw - P/N 9600069 or equivalent that handles "U" Type Dies
- ❑ 28 inch Type ACSR Wire Rope & Cable Cutter, 1 inch Cable Diameter - P/N 9600068 or equivalent
- ❑ Permanent Marker

**WARNING:** Termination of the Wire Rope Ends requires careful attention to detail. Improper termination can result in serious injury or death.

1. Install Die Halves in the Compression Tool per the manufacturer's operating instructions. Make sure Die Halves are oriented in the Compression Tool Jaws so the impressions in the Die Halves are symmetrical with each other.
2. Carefully inspect the Compression Sleeve for defects. Ensure that the Wire Rope End will seat properly in the Compression Sleeve.
3. Carefully insert the Wire Rope End through the Compression Sleeve until the end aligns with the top of the flange on the Compression Sleeve. Mark the Wire Rope with a Permanent Marker where it exits the Compression Sleeve.



**IMPORTANT:** Do not allow the Wire Rope strands to unravel or bend out of place.

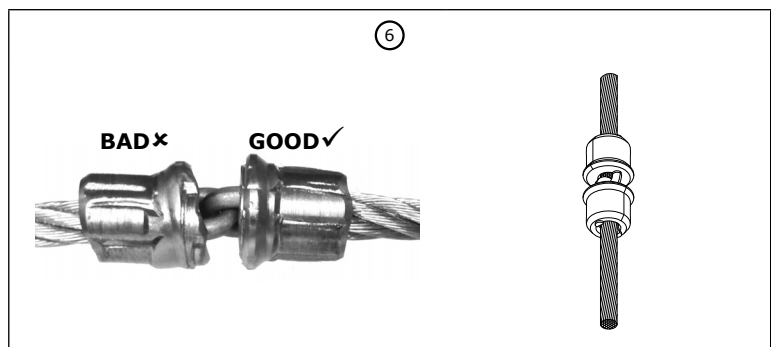
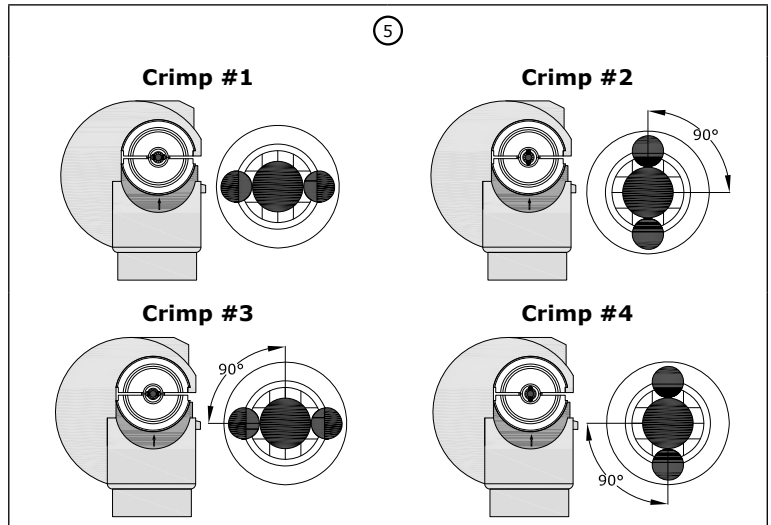
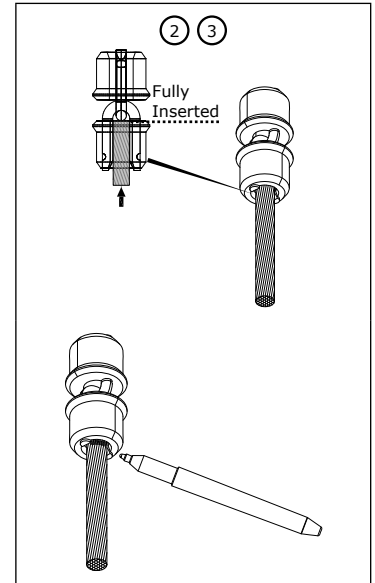
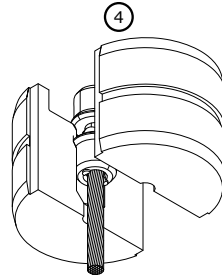
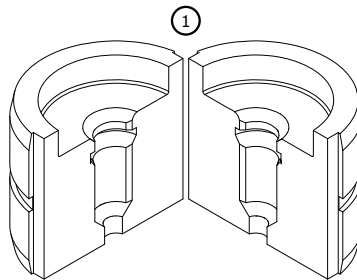
**WARNING:** The Wire Rope must be fully inserted to achieve the strongest possible connection. Improper installation can result in serious injury or death.

4. Position the Connector in one Die Half so Compression Sleeve rests entirely in the impression in the Die Half with the flange on the Compression Sleeve aligned in the horizontal groove in the Die Half. The empty Compression Sleeve should align in the recess in the end of the Die Half.
5. Crimp the Compression Sleeve onto the Wire Rope End per the manufacturer's instructions provided with the Compression Tool. **Fully crimp each Compression Sleeve four times**, rotating it 90 degrees between crimps. The fourth and final crimp should apply pressure directly on the Compression Sleeves two Wire Loops.

After crimping, inspect the mark made in Step 3 to verify that the Wire Rope did not slip out of the Compression Sleeve during crimping.

**IMPORTANT:** To ensure proper compression, one person should hold the Wire Rope in place while a second person operates the Compression Tool. Keep fingers clear of the Die Halves during crimping.

6. Repeat Steps 2 through 5 on the other end of the Wire Rope and remaining Compression Sleeve to complete the Wire Rope splice.





Global Leader in Fall Protection

**USA**

3833 SALA Way  
Red Wing, MN 55066-5005  
Toll Free: 800.328.6146  
Phone: 651.388.8282  
Fax: 651.388.5065  
solutions@capitalsafety.com

**Brazil**

Rua Anne Frank, 2621  
Boqueirão Curitiba PR  
81650-020  
Brazil  
Phone: 0800-942-2300  
brasil@capitalsafety.com

**Mexico**

Calle Norte 35, 895-E  
Col. Industrial Vallejo  
C.P. 02300 Azcapotzalco  
Mexico D.F.  
Phone: (55) 57194820  
mexico@capitalsafety.com

**Colombia**

Compañía Latinoamericana de Seguridad S.A.S.  
Carrera 106 #15-25 Interior 105 Manzana 15  
Zona Franca - Bogotá, Colombia  
Phone: 57 1 6014777  
servicioalcliente@capitalsafety.com

**Canada**

260 Export Boulevard  
Mississauga, ON L5S 1Y9  
Phone: 905.795.9333  
Toll-Free: 800.387.7484  
Fax: 888.387.7484  
info.ca@capitalsafety.com

**EMEA (Europe, Middle East, Africa)**

*EMEA Headquarters:*  
5a Merse Road  
North Moons Moat  
Redditch, Worcestershire  
B98 9HL UK  
Phone: + 44 (0)1527 548 000  
Fax: + 44 (0)1527 591 000  
csgne@capitalsafety.com

*France:*

Le Broc Center  
Z.I. 1re Avenue - BP15  
06511 Carros Le Broc Cedex  
France  
Phone: + 33 04 97 10 00 10  
Fax: + 33 04 93 08 79 70  
information@capitalsafety.com

**Australia & New Zealand**

95 Derby Street  
Silverwater  
Sydney NSW 2128  
Australia  
Phone: +(61) 2 8753 7600  
Toll-Free : 1800 245 002 (AUS)  
Toll-Free : 0800 212 505 (NZ)  
Fax: +(61) 2 8753 7603  
sales@capitalsafety.com.au

**Asia**

*Singapore:*

69, Ubi Road 1, #05-20  
Oxley Bizhub  
Singapore 408731  
Phone: +65 - 65587758  
Fax: +65 - 65587058  
inquiry@capitalsafety.com

*Shanghai:*

Rm 1406, China Venturetech Plaza  
819 Nan Jing Xi Rd,  
Shanghai 200041, P R China  
Phone: +86 21 62539050  
Fax: +86 21 62539060  
inquiry@capitalsafety.cn

[www.capitalsafety.com](http://www.capitalsafety.com)

