



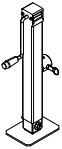
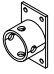



The Ultimate in Fall Protection

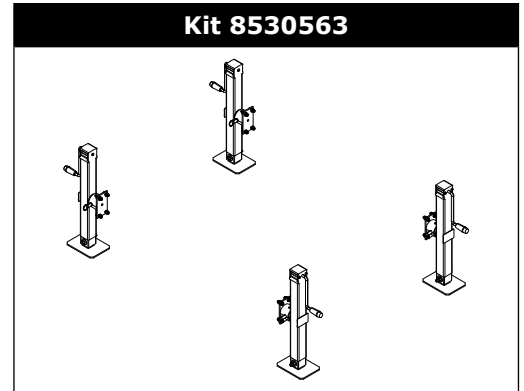
flexiguard®

Jack Leveling Kit

Kit Number: 8530563

INSTALLATION INSTRUCTION

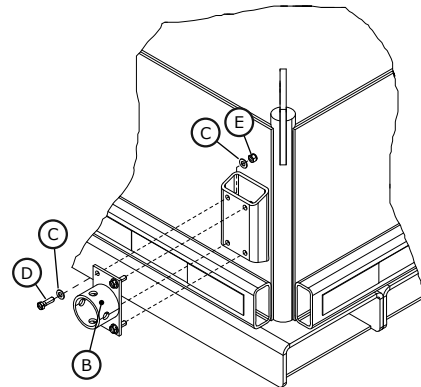
Component List			
Item	Qty.	Part No.	Description
A	4	8536970	JACK ASSY,7000 LB TOP WIND,A-FRAME 
B	4	8545013	WELDMENT, JACK MNT ASSY,ADJ C/W JIB SYSTEM 
C	32	9500826	WASHER,FLAT,3/8,N,ZP 
D	16	9500983	BOLT,HH,3/8-16X1 1/4,ZP,GR8 
E	16	9505716	NUT,HEX,LOCK,3/8-16,ZP 



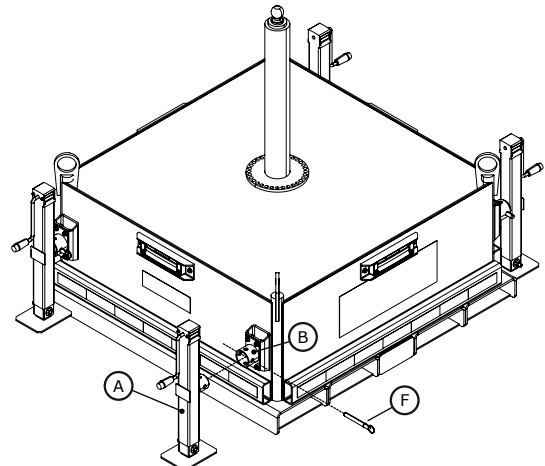
Tools Required
1/2" Socket and Wrench
Torque Wrench

Installation:

1. Uncrate and identify all of the components in the Component List.
2. Bolt all Item 'B's to the Counterweight Base. Torque all hardware to 45 ft*lbs (61 Nm)



3. Insert Item 'A's into Item 'B's. Secure into position with Detent Pins (F).





Global Leader in Fall Protection

USA

3833 SALA Way
Red Wing, MN 55066-5005
Toll Free: 800.328.6146
Phone: 651.388.8282
Fax: 651.388.5065
solutions@capitalsafety.com

Brazil

Rua Anne Frank, 2621
Boqueirão Curitiba PR
81650-020
Brazil
Phone: 0800-942-2300
brasil@capitalsafety.com

Mexico

Calle Norte 35, 895-E
Col. Industrial Vallejo
C.P. 02300 Azcapotzalco
Mexico D.F.
Phone: (55) 57194820
mexico@capitalsafety.com

Colombia

Compañía Latinoamericana de Seguridad S.A.S.
Carrera 106 #15-25 Interior 105 Manzana 15
Zona Franca - Bogotá, Colombia
Phone: 57 1 6014777
servicioalcliente@capitalsafety.com

Canada

260 Export Boulevard
Mississauga, ON L5S 1Y9
Phone: 905.795.9333
Toll-Free: 800.387.7484
Fax: 888.387.7484
info.ca@capitalsafety.com

EMEA (Europe, Middle East, Africa)

EMEA Headquarters:
5a Merse Road
North Moons Moat
Redditch, Worcestershire
B98 9HL UK
Phone: + 44 (0)1527 548 000
Fax: + 44 (0)1527 591 000
csgne@capitalsafety.com

France:

Le Broc Center
Z.I. 1re Avenue - BP15
06511 Carros Le Broc Cedex
France
Phone: + 33 04 97 10 00 10
Fax: + 33 04 93 08 79 70
information@capitalsafety.com

Australia & New Zealand

95 Derby Street
Silverwater
Sydney NSW 2128
Australia
Phone: +(61) 2 8753 7600
Toll-Free : 1800 245 002 (AUS)
Toll-Free : 0800 212 505 (NZ)
Fax: +(61) 2 8753 7603
sales@capitalsafety.com.au

Asia

Singapore:

69, Ubi Road 1, #05-20
Oxley Bizhub
Singapore 408731
Phone: +65 - 65587758
Fax: +65 - 65587058
inquiry@capitalsafety.com

Shanghai:

Rm 1406, China Venturetech Plaza
819 Nan Jing Xi Rd,
Shanghai 200041, P R China
Phone: +86 21 62539050
Fax: +86 21 62539060
inquiry@capitalsafety.cn

www.capitalsafety.com

