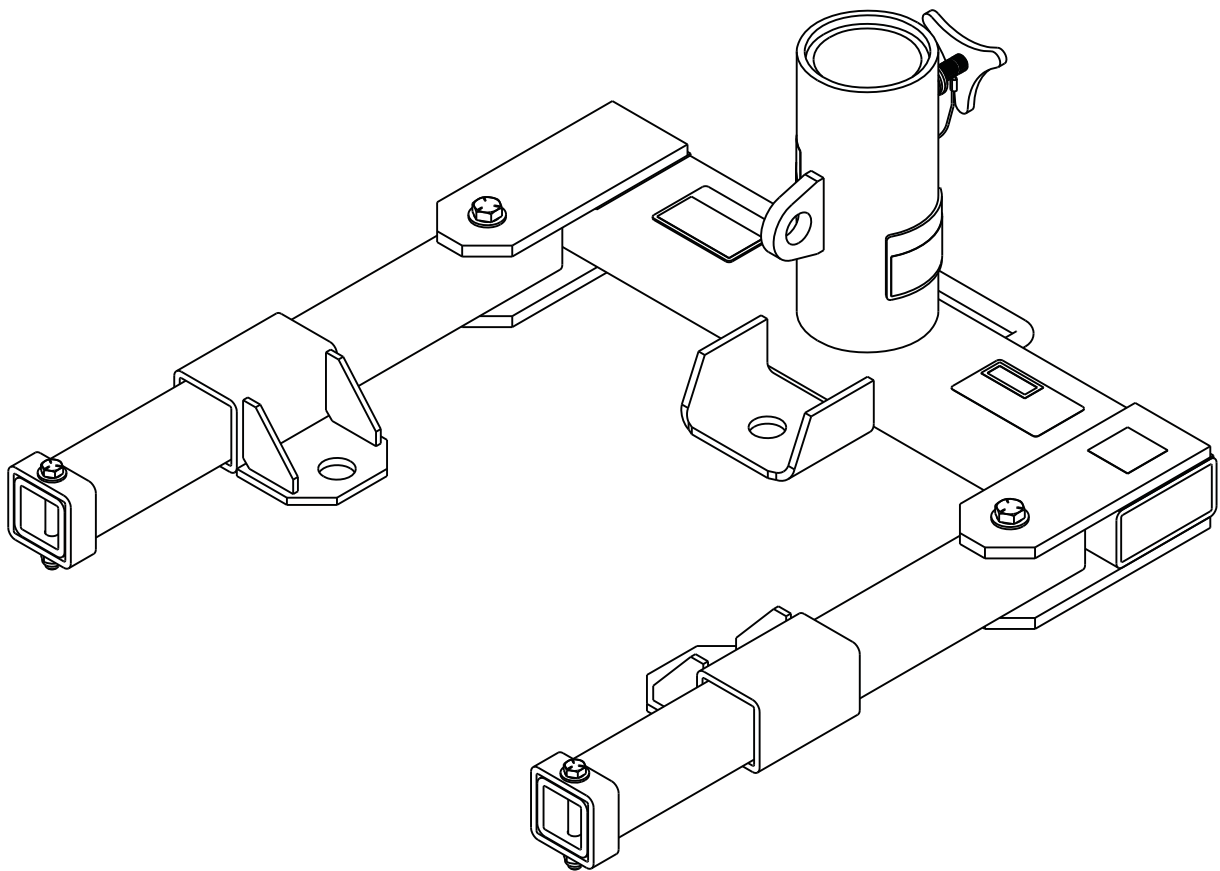


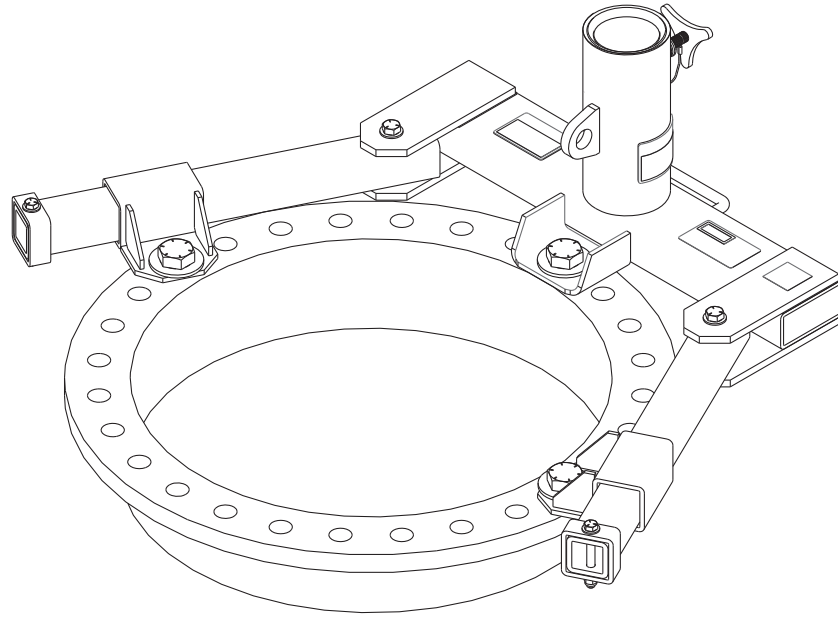
USER INSTRUCTIONS

8520267 MANWAY DAVIT MOUNT SYSTEM



A Capital Safety Company





DESCRIPTION:

The CSG model 8520267 Manway Davit Mount System is designed to be anchored to manway openings with a horizontal flange through which to bolt.

General Specifications:

Rated Capacity (working load)	450 lbs. (250 kgs.) @ minimum 4:1 Design Factor (see appl. restriction 3)
Anchor Point Proof Load	5,000 lb (2268 kg.)
Mast Proof Load	33,000 in-lb (3,730 n-m)
Mast Rotation	360°
Weight	61 lbs (95 kg)

Materials and Construction:

General Construction	Welded Steel
Weld Certification	AWS
Structure Material	HR Steel Plate, Sch. 40 Pipe
Sleeve Bearing Material	PVC Pipe - ASTM-D-1785
Thrust Bearing Material	High Density Polyethene
Finish (Steel Sleeves)	Zinc Plate
Plating Specification	ASTM Designation B633, TYPE II, CLASS 1
Hardware Specification	Gr.5, Gr.8 - Zinc Plated

Mounting Requirements:

Surfaces selected to mount the system must be certified by a qualified person to be capable of supporting a minimum 33,000 in-lb (3,730 n-m). and 5000 lb.(2268 kg.) vertical load.

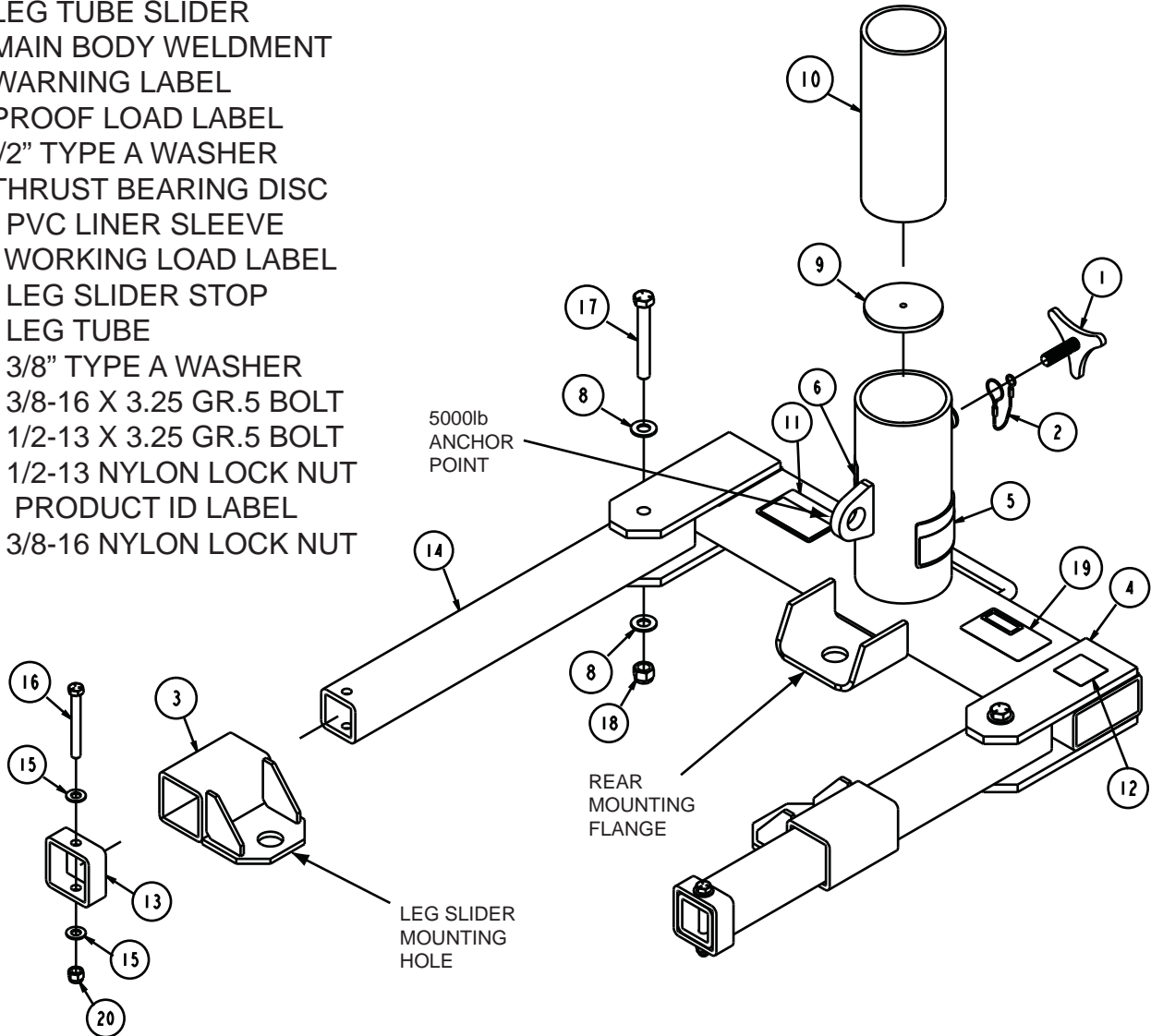
Mounting hardware must be capable of withstanding the loads specified above.

Application Restrictions:

1. This device is intended for use with equipment and accessories manufactured and/or approved by Capital Safety.
2. If mounting surface material does not meet minimum requirements, reinforcement **MUST BE** added to meet minimum requirements.
3. One mast extension up to a maximum of 24" (610mm) may be used. Multiple extensions **MUST NOT** be used.
4. This system is designed to mount to flanges with a bolt circle diameter of 18-36".
5. Each installation **MUST BE** approved to local standards by a qualified person.

Figure 1 - PARTS DIAGRAM

1. TRI-SCREW
2. TRI-SCREW LANYARD
3. LEG TUBE SLIDER
4. MAIN BODY WELDMENT
5. WARNING LABEL
6. PROOF LOAD LABEL
8. 1/2" TYPE A WASHER
9. THRUST BEARING DISC
10. PVC LINER SLEEVE
11. WORKING LOAD LABEL
13. LEG SLIDER STOP
14. LEG TUBE
15. 3/8" TYPE A WASHER
16. 3/8-16 X 3.25 GR.5 BOLT
17. 1/2-13 X 3.25 GR.5 BOLT
18. 1/2-13 NYLON LOCK NUT
19. PRODUCT ID LABEL
20. 3/8-16 NYLON LOCK NUT



WARNINGS:

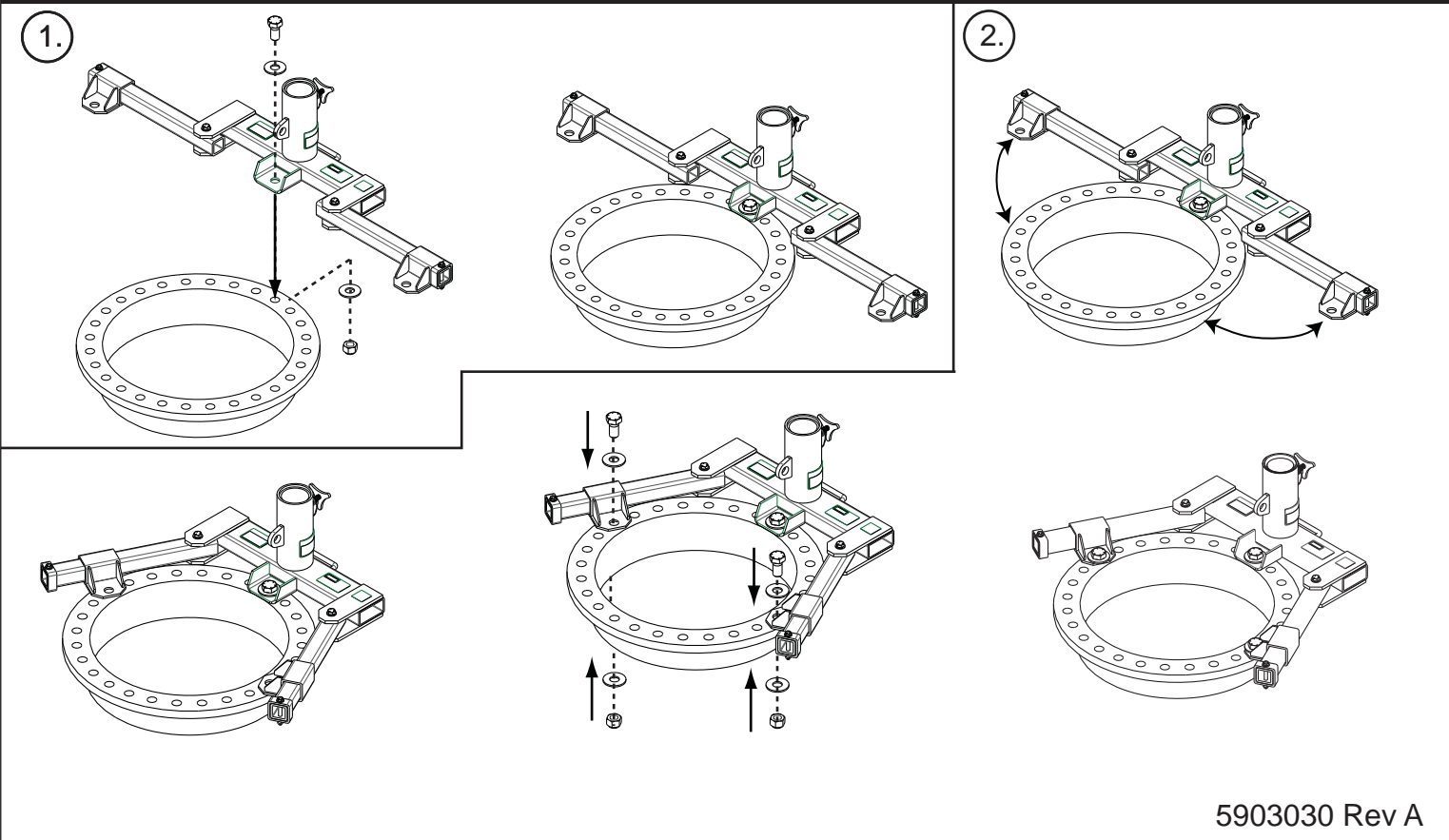
- Any misuse or alteration of this equipment can cause serious injury or death.
- This component is rated for a working load of 450 lb. (205 kg) when used with approved components in an approved configuration. Refer to component specifications and rating stickers to establish system design factor.
- This product is approved for use with retractable devices and shock absorbers with a **MAXIMUM ARRESTING FORCE (M.A.F.) RATING OF 900 lb (4 kn) OR LESS**. Retractable devices and shock absorbers must be installed, maintained and used according to the manufacturer's instructions.
- **THE MOUNTING STRUCTURE MUST MEET THE REQUIREMENTS STATED ON PAGE 2 OF THIS DOCUMENT.**
- This davit base is to be used only with the following DBI-Sala/Capital Safety davit offsets: **6" 12" 18"**
- This system is to be used with a max. of one Capital Safety Mast Extension having a length of up to 24" (610 mm). Multiple extensions **MUST NOT** be used.

INSTALLATION: (SEE FIGURE 2)

STEP 1) Place the System onto the manway flange and secure the rear mounting flange to the desired hole using hardware that meets the specifications stated on page 2 of this document.

STEP 2) Adjust the leg tube angles and leg tube slider position until the leg tube sliders mounting hole lines up with the desired mounting hole on the manway flange. Once aligned secure the leg tube sliders into position using hardware that meets the specifications stated on page 2 of this document.

Figure 2 - INSTALLATION



5903030 Rev A

Inspection:

Before Every Use:

- *All fasteners must be tight, secure and not damaged.
- *Ensure system is free of cracks, dents, distortion, or any other damage.
- *Inspect for corrosion or rust.
- *All labels must be present and fully legible.
- *Record results of inspection in the inspection and maintenance log provided.
- *If inspection reveals an unsafe or defective condition, remove the system from service and destroy, or contact Capital Safety Group for repair or replacement.

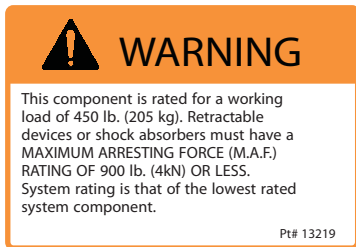
Monthly:

- *A formal inspection of the system should be done by a competent person other than the user. Record results of inspection in the inspection and maintenance log provided.

IMPORTANT: Extreme working conditions (harsh environments, prolonged use) may require increasing the frequency of inspections.

WARNING: If the system has been subjected to fall arrest forces, it must be immediately removed from service and inspected. If the system fails inspection, remove from service and destroy, or contact Capital Safety Group for repair or replacement.

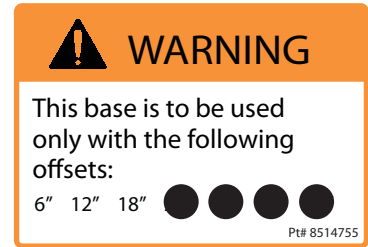
Labels:



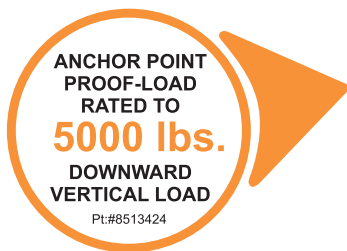
8513219



9504547



8514755



8513424



8515272
(CE certified models only)

LIMITED LIFETIME WARRANTY

Warranty to End User: D B Industries, Inc., dba CAPITAL SAFETY USA ("CAPITAL SAFETY") warrants to the original end user ("End User") that its products are free from defects in materials and workmanship under normal use and service. This warranty extends for the lifetime of the product from the date the product is purchased by the End User, in new and unused condition, from a CAPITAL SAFETY authorized distributor. CAPITAL SAFETY'S entire liability to End User and End User's exclusive remedy under this warranty is limited to the repair or replacement in kind of any defective product within its lifetime (as CAPITAL SAFETY in its sole discretion determines and deems appropriate). No oral or written information or advice given by CAPITAL SAFETY, its distributors, directors, officers, agents or employees shall create any different or additional warranties or in any way increase the scope of this warranty. CAPITAL SAFETY will not accept liability for defects that are the result of product abuse, misuse, alteration or modification, or for defects that are due to a failure to install, maintain, or use the product in accordance with the manufacturer's instructions.

CAPITAL SAFETY'S WARRANTY APPLIES ONLY TO THE END USER. THIS WARRANTY IS THE ONLY WARRANTY APPLICABLE TO OUR PRODUCTS AND IS IN LIEU OF ALL OTHER WARRANTIES AND LIABILITIES, EXPRESSED OR IMPLIED. CAPITAL SAFETY EXPRESSLY EXCLUDES AND DISCLAIMS ANY IMPLIED WARRANTIES OF MERCHANTABILITY OR FITNESS FOR A PARTICULAR PURPOSE, AND SHALL NOT BE LIABLE FOR INCIDENTAL, PUNITIVE OR CONSEQUENTIAL DAMAGES OF ANY NATURE, INCLUDING WITHOUT LIMITATION, LOST PROFITS, REVENUES, OR PRODUCTIVITY, OR FOR BODILY INJURY OR DEATH OR LOSS OR DAMAGE TO PROPERTY, UNDER ANY THEORY OF LIABILITY, INCLUDING WITHOUT LIMITATION, CONTRACT, WARRANTY, STRICT LIABILITY, TORT (INCLUDING NEGLIGENCE) OR OTHER LEGAL OR EQUITABLE THEORY.



A Capital Safety Company

CSG USA & Latin America

3833 SALA Way
Red Wing, MN 55066-5005
Toll Free: 800.328.6146
Phone: 651.388.8282
Fax: 651.388.5065
solutions@capitalsafety.com

CSG Canada

260 Export Boulevard
Mississauga, ON L5S 1Y9
Phone: 905.795.9333
Toll-Free: 800.387.7484
Fax: 888.387.7484
info.ca@capitalsafety.com

CSG Northern Europe

Unit 7 Christleton Court
Manor Park
Runcorn
Cheshire, WA7 1ST
Phone: + 44 (0)1928 571324
Fax: + 44 (0)1928 571325
csgne@capitalsafety.com

CSG EMEA (Europe, Middle East, Africa)

Le Broc Center
Z.I. 1ère Avenue
5600 M B.P. 15 06511
Carros
Le Broc Cedex
France
Phone: + 33 4 97 10 00 10
Fax: + 33 4 93 08 79 70
information@capitalsafety.com

CSG Australia & New Zealand

95 Derby Street
Silverwater
Sydney NSW 2128
AUSTRALIA
Phone: +(61) 2 8753 7600
Toll-Free : 1 800 245 002 (AUS)
Toll-Free : 0800 212 505 (NZ)
Fax: +(61) 2 87853 7603
sales@capitalsafety.com.au

CSG Asia

Singapore:
16S, Enterprise Road
Singapore 627666
Phone: +65 - 65587758
Fax: +65 - 65587058
inquiry@capitalsafety.com

Shanghai:

Rm 1406, China Venturetech Plaza
819 Nan Jing Xi Rd,
Shanghai 200041, P R China
Phone: +86 21 62539050
Fax: +86 21 62539060

www.capitalsafety.com



Certificate No. FM 39709