



Fall Protection

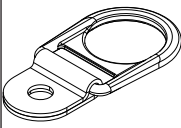
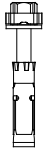
ANSI Z359.18
Type A

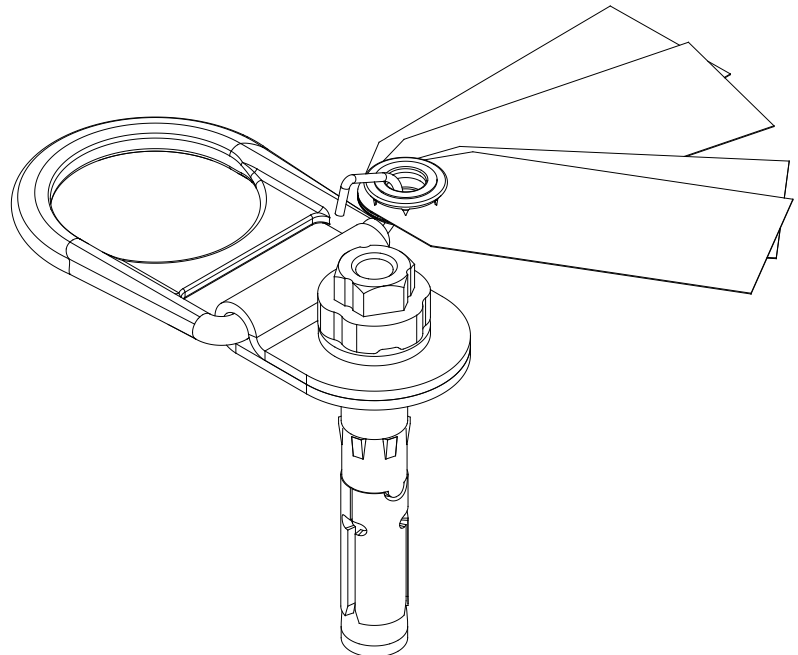
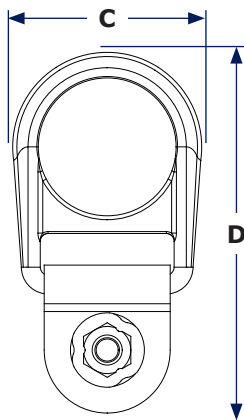
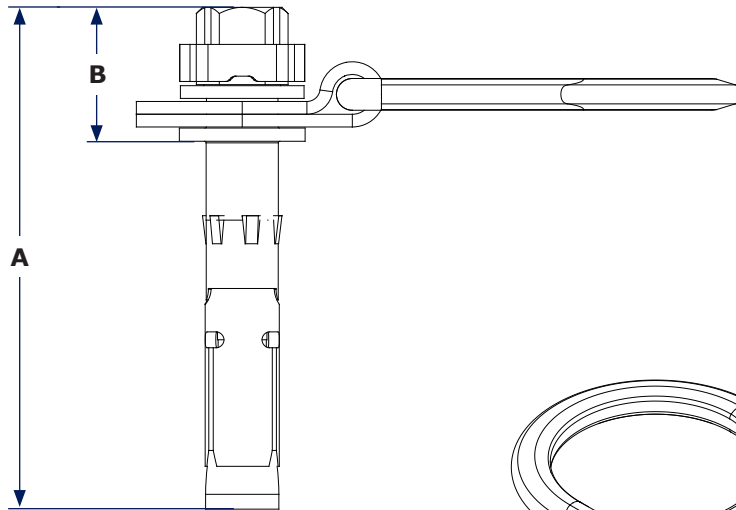
OSHA 1926.502
OSHA 1910.140

CONCRETE BOLT Anchorage Connector

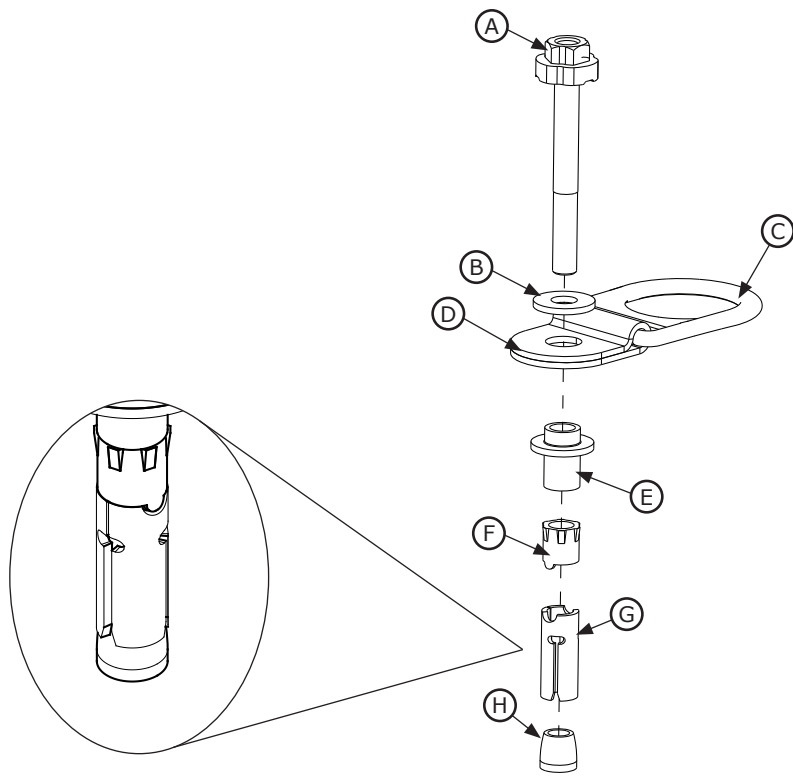
USER INSTRUCTIONS 5902288 REV. G

1

			ANSI	OSHA	A	B	C	D
2104560	x1	x1	✓	✓	4.44 in. (11.28 cm)	1.09 in. (2.77 cm)	3.02 in. (7.67 cm)	5.83 in. (14.81 cm)
2104568	x1	x1		✓	4.44 in. (11.28 cm)	1.09 in. (2.77 cm)	3.02 in. (7.67 cm)	5.83 in. (14.81 cm)
2100222	x0	x10			4.44 in. (11.28 cm)	---	---	---

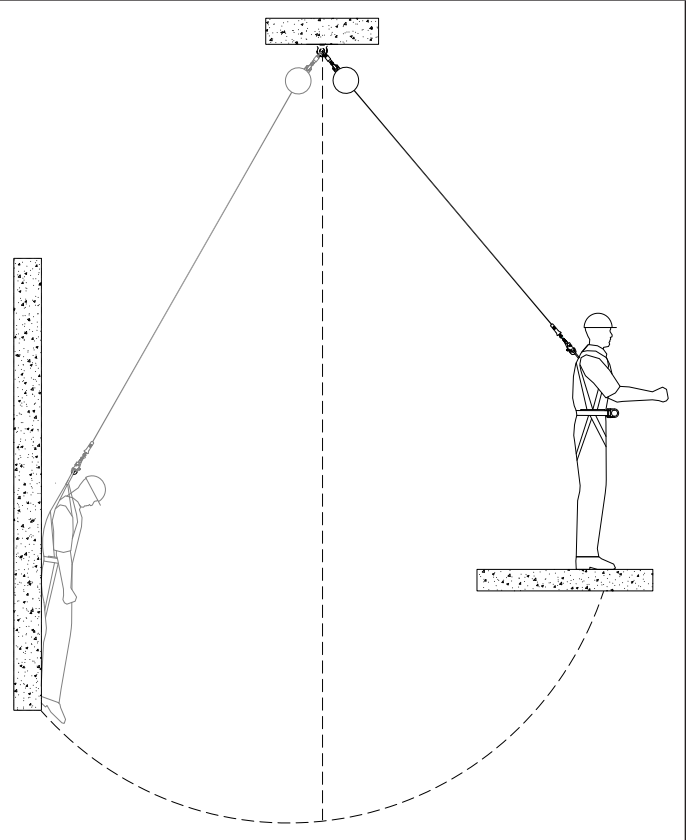
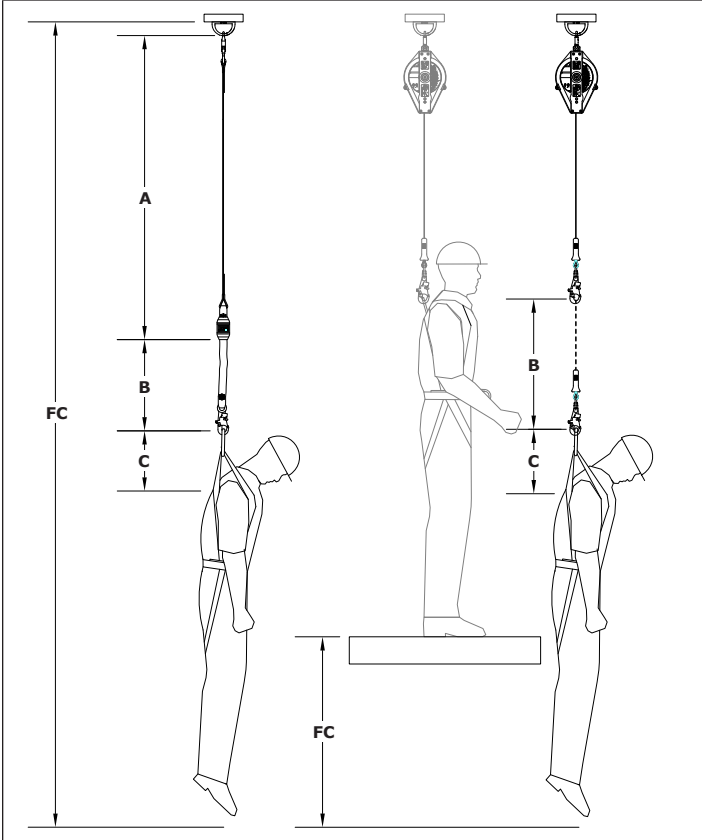


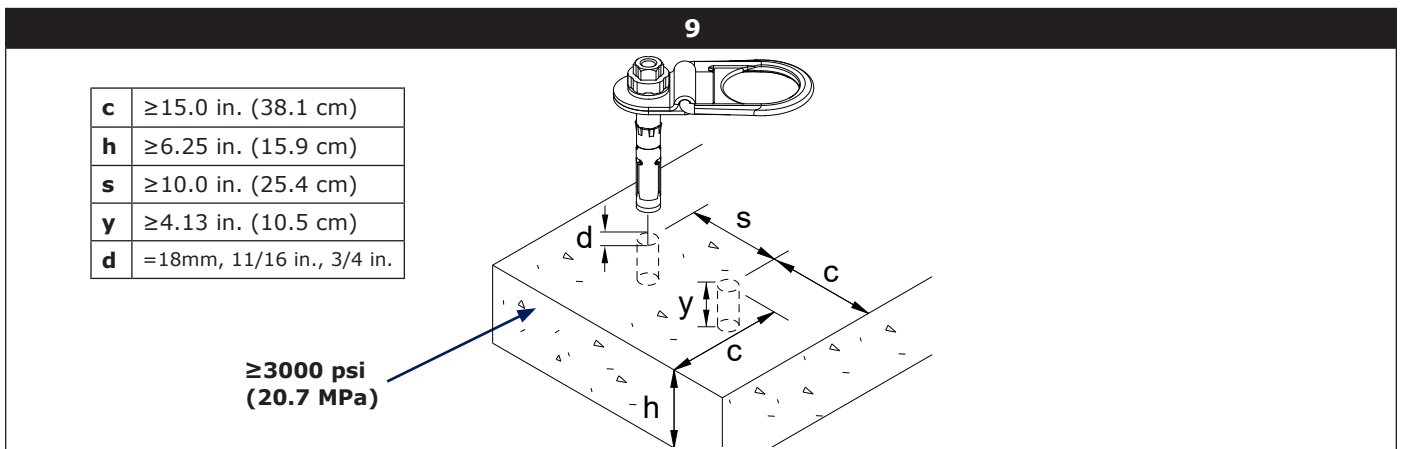
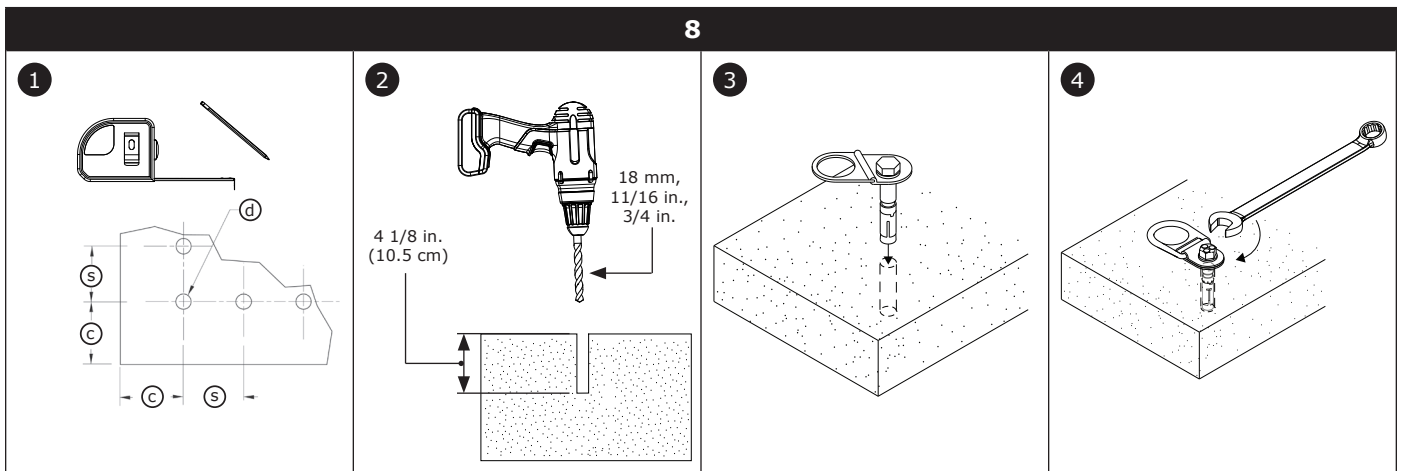
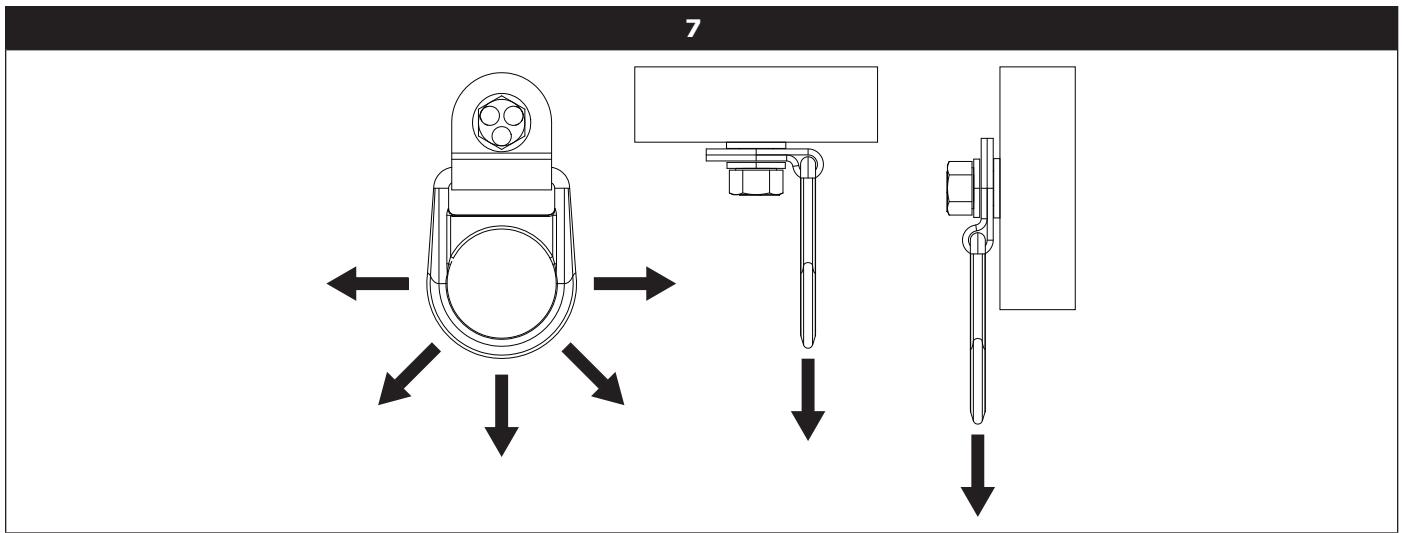
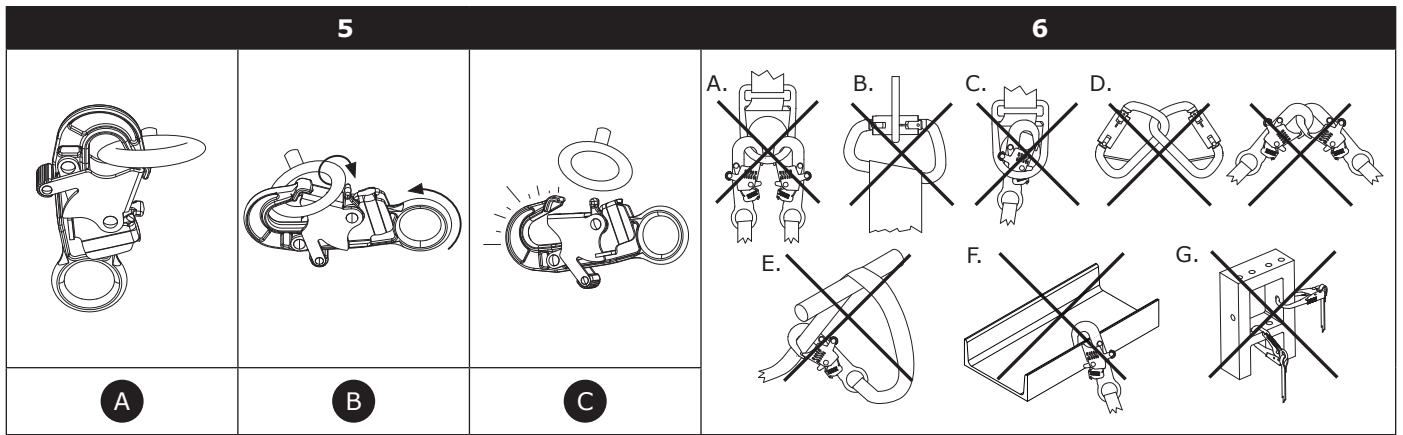
2



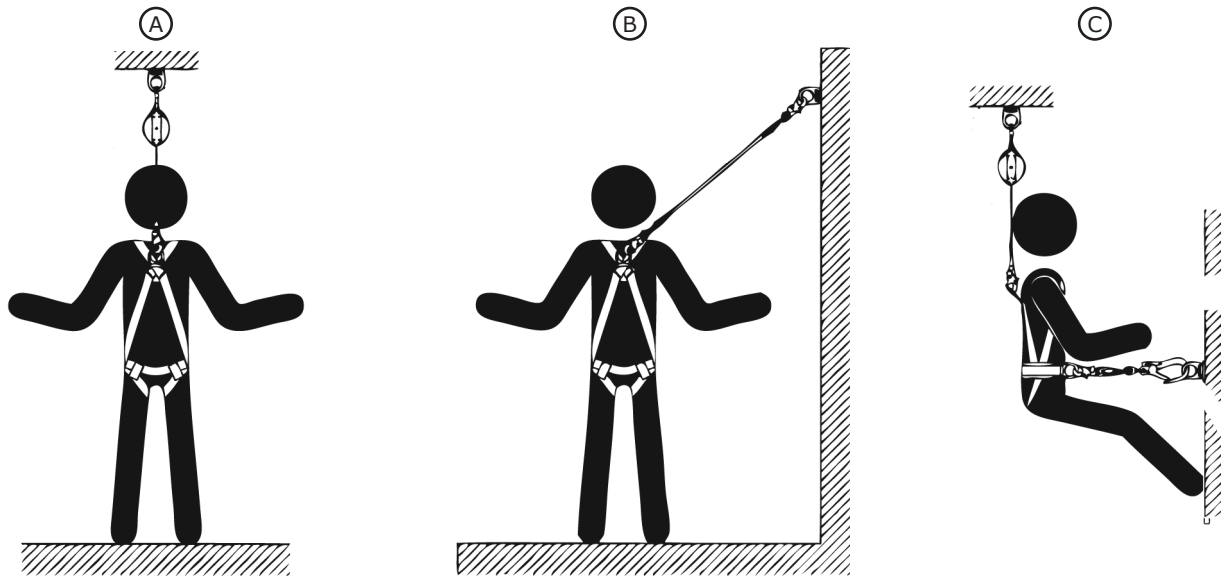
3

4

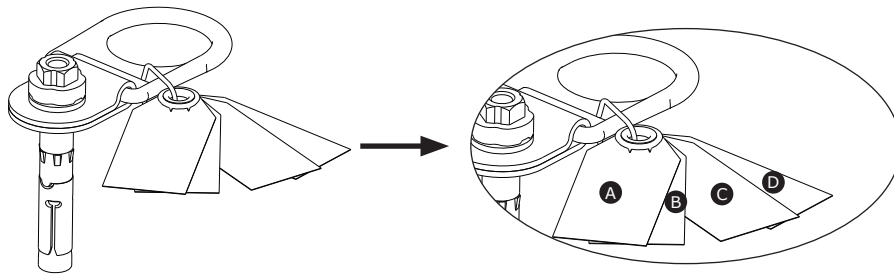




10



11



	A	B	C	D
2104560	✓		✓	
2104568	✓	✓	✓	✓

3M **ANSI**
 Ce produit répond aux exigences des normes CSA 1925.502 & 1910.140
 3M.com/FallProtection ①
 MATERIALS: Zinc plated steel anchor bolt, stainless steel D-ring bracket, zinc plated steel D-ring
 CAPACITY: 1 person, 310 lbs ANSI, 420 lbs CSA max.
 MFRD (YR/MO) / LOT NO: MODEL NO: STDS:
 ② ③ ④ ⑤

WARNING ⑥
 Manufacturer's instructions supplied with this product at time of shipment must be followed for proper use, maintenance and inspection. Alteration or misuse of this product, or failure to follow instructions may result in serious injury or death. Inspect anchor before each use. Do not use if inspection reveals an unsafe condition. Fall arrest systems must limit maximum arresting forces to 1800 lbs. Do not allow fall arrest system to abrade against sharp edges. Use caution near hazardous thermal, electrical or chemical sources. Make only compatible connections. Do not exceed capacity of this or other system components. Refer to User Manual. Items subject to fall arrest impact forces must be immediately removed from service and destroyed. Minimum service temp: -40°F (-40°C). Minimum Breaking Strength: 5,000lbs (22kN). Do not remove this label.

3M **ANSI**
 Ce produit répond aux exigences des normes CSA 1925.502 & 1910.140
 3M.com/FallProtection ①
 MATERIALS: boulon d'ancrage en acier zingué, support de ceinture en acier inoxydable, et d'ancrage en acier zingué
 CAPACITÉ: 1 personne, 420 lb max.
 MFRD(AA/MM)/N° DE LOT: N° DE MODÈLE:
 ② ③ ④

AVERTISSEMENT ⑥
 Instructions du fabricant fournies
 L'avis doivent être respectées afin d'assurer une utilisation, une inspection et un entretien adéquats. La modification ou la négligence dans l'utilisation de ce produit, ou le défaut de respecter les directives peut entraîner de graves blessures, voire la mort. Inspectez l'ancrage avant chaque utilisation. Si une inspection révèle un état non sécuritaire, n'utilisez pas cet équipement. Les dispositifs antichute doivent limiter les forces d'arrêt maximales à 1 800 lb. Évitez que le dispositif antichute ne se frotte sur des rebords tranchants. Faites preuve de prudence près des sources de chaleur, de courant électrique ou chimique. N'utilisez que des connecteurs compatibles. Ne dépassez pas la capacité de ce composant ou de tout autre composant du système. Référez-vous au manuel de l'utilisateur. Tout équipement ayant été soumis à des forces d'arrêt de chute ou à un choc doit être immédiatement retiré du service et être détruit. Ne retirez pas cette étiquette.

INSTALLATION:
 Step 1: Mark location for anchor. Observe minimum edge distance and spacing requirements. See reverse side of label for additional requirements.
 Step 2: Drill 1 1/16", 18mm, or 3/4" diameter hole to a depth of 4 1/8 inches.
 Step 3: Clean hole using blow-out bulb or compressed air.
 Step 4: Tap anchor into hole using a hammer. Anchor flange must seat firmly against concrete.
 Step 5: Tighten bolt until red cap shears off. No further adjustment is necessary after red cap shears off.
 Concrete minimum compressive strength 3000 psi. Not for use in lightweight concrete, hollow block, brick, grout, or stone.
 ①

Hole Depth: 4 1/8 in. (10.5cm) ②
 Hole Diameter (d): 1 1/16 in., 18mm, or 3/4"
 Min. Anchor Spacing (s) = 10in. (25.4cm)
 Min. Edge Distance (e) = 1 5/8in. (38.1cm)
 Min. Base Thickness (h) = 6 1/4in. (15.9cm)
INSPECTION: ③
 Inspect anchor before each use. Do not use if inspection reveals an unsafe or defective condition.

INSTALLATION:
 Étape 1: Marquez l'emplacement de l'ancrage. Respectez les exigences minimales en matière de distance et d'espacement par rapport au bord. Vous trouverez les exigences supplémentaires au verso de l'étiquette.
 Étape 2: Percez un trou de 1 1/16 po, 18 mm ou 3/4 po de diamètre à une profondeur de 4 1/8 po.
 Étape 3: Nettoyez le trou à l'aide d'une poire de soufflage ou d'air comprimé.
 Étape 4: À l'aide d'un marteau, tapez sur l'ancrage jusqu'à ce qu'il soit enfoncé dans le trou. La poire d'ancrage doit être solidement fixée au béton.
 Étape 5: Serrez le boulon jusqu'à ce que le capuchon rouge se détache. Aucun autre ajustement n'est nécessaire une fois que le capuchon rouge s'est détaché.
 Résistance minimale à la compression du béton : 3 000 psi. Non destiné à être utilisé dans le béton léger, un bloc creux, de la brique, un coulis ou une pierre.
 ①

Dimensions du trou: 4 1/8 po de profondeur x 1 1/16 po, 18 mm ou 3/4 po de diamètre
 Espacement d'ancrage min. (s) = 10 po
 Distance min. par rapport au bord (e) = 1 5/8 po
 Épaisseur de socle min. (h) = 6 1/4 po
INSPECTION : ③
 Inspectez l'ancrage avant chaque utilisation. N'utilisez pas le si l'inspection révèle un état non sécuritaire ou douteux.

SAFETY INFORMATION

Please read, understand, and follow all safety information contained in these instructions prior to the use of this Anchorage Connector. FAILURE TO DO SO COULD RESULT IN SERIOUS INJURY OR DEATH.

These instructions must be provided to the user of this equipment. Retain these instructions for future reference.

Intended Use:

This Anchorage Connector is intended for use as part of a complete personal fall protection system.

Use in any other application including, but not limited to, material handling, recreational or sports related activities, or other activities not described in the User Instructions, is not approved by 3M and could result in serious injury or death.

This device is only to be used by trained users in workplace applications.

WARNING

This Anchorage Connector is part of a personal fall protection system. It is expected that all users be fully trained in the safe installation and operation of their personal fall protection system. **Misuse of this device could result in serious injury or death.** For proper selection, operation, installation, maintenance, and service, refer to these User Instructions and all manufacturer recommendations, see your supervisor, or contact 3M Technical Service.

- **To reduce the risks associated with working with an Anchorage Connector which, if not avoided, could result in serious injury or death:**
 - Inspect the device before each use, at least annually, and after any fall event. Inspect in accordance with the User Instructions.
 - If inspection reveals an unsafe or defective condition, remove the device from service and repair or replace according to the User Instructions.
 - Any device that has been subject to fall arrest or impact force must be immediately removed from service and destroyed.
 - The device must only be installed in the specified substrates or on structures detailed in the User Instructions. Installations and use outside the scope of this instruction must be approved by 3M Fall Protection.
 - The substrate or structure to which the anchorage connector is attached must be able to sustain the static loads specified for the anchor in the orientations permitted in the User Instructions.
 - Only connect other fall protection subsystems to the designated anchorage connection point on the device.
 - Prior to drilling or fastening, ensure no electric lines, gas lines, or other critical embedded systems will be contacted by the drill or the device.
 - Ensure that fall protection systems/subsystems assembled from components made by different manufacturers are compatible and meet the requirements of applicable standards, including the ANSI Z359 or other applicable fall protection codes, standards, or requirements. Always consult a Competent or Qualified Person before using these systems.

- **To reduce the risks associated with working at height which, if not avoided, could result in serious injury or death:**
 - Ensure your health and physical condition allow you to safely withstand all of the forces associated with working at height. Consult with your doctor if you have any questions regarding your ability to use this equipment.
 - Never exceed allowable capacity of your fall protection equipment.
 - Never exceed maximum free fall distance of your fall protection equipment.
 - Do not use any fall protection equipment that fails pre-use or other scheduled inspections, or if you have concerns about the use or suitability of the equipment for your application. Contact 3M Technical Services with any questions.
 - Some subsystem and component combinations may interfere with the operation of this equipment. Only use compatible connections. Consult 3M prior to using this equipment in combination with components or subsystems other than those described in the User Instructions.
 - Use extra precautions when working around moving machinery (e.g. top drive of oil rigs) electrical hazards, extreme temperatures, chemical hazards, explosive or toxic gases, sharp edges, or below overhead materials that could fall onto you or your fall protection equipment.
 - Use Arc Flash or Hot Works devices when working in high heat environments.
 - Avoid surfaces and objects that can damage the user or equipment.
 - Ensure there is adequate fall clearance when working at height.
 - Never modify or alter your fall protection equipment. Only 3M or parties authorized in writing by 3M may make repairs to the equipment.
 - Prior to use of fall protection equipment, ensure a rescue plan is in place which allows for prompt rescue if a fall incident occurs.
 - If a fall incident occurs, immediately seek medical attention for the worker who has fallen.
 - Do not use a body belt for fall arrest applications. Use only a Full Body Harness.
 - Minimize swing falls by working as directly below the anchorage point as possible.
 - If training with this device, a secondary fall protection system must be utilized in a manner that does not expose the trainee to an unintended fall hazard.
 - Always wear appropriate personal protective equipment when installing, using, or inspecting the device/system.

Prior to installation and use of this equipment, record the product identification information from the ID label in the Inspection and Maintenance Log (Table 2) at the back of this manual.

Always ensure you are using the latest revision of your 3M instruction manual. Visit the 3M website or contact 3M Technical Services for updated instruction manuals.

PRODUCT DESCRIPTION:

Figure 1 illustrates the 3M™ DBI-SALA™ Concrete Bolt Anchor. The Concrete Bolt Anchor is a single point anchorage connector for a personal fall arrest system designed to be attached to a supporting structure. The Concrete Bolt Anchor may also be used as an end termination for 3M-approved ANSI Z359.18 Type A Horizontal Lifeline Systems.

Figure 2 illustrates components of the Concrete Bolt Anchor. See Table 1 for Component Specifications. The Concrete Bolt Anchor is comprised of a Bolt (A) with a Flat Washer (B), D-ring (C) and D-ring Bracket (D), Flanged Spacer (E), Plastic Spacer (F), and Expansion Sleeve (G), as well as a Cone Nut (H) positioned on the Bolt.

Table 1 – Specifications

System Specifications:	
Capacity:	One person with a combined weight (clothing, tools, etc.) of no more than 310 lb. (140 kg) for ANSI, or 420 lb. (191 kg) for OSHA.
Standards:	See Figure 1 for the applicable standards for each product model. Models certified to ANSI Z359.18-2017 have also been tested in compliance with the requirements of ANSI Z359.7. <input checked="" type="checkbox"/> <i>ANSI compliance and testing covers only the product and does not extend to the anchorage structure or substrate to which the product is attached.</i>
Anchorage Strength:	Structure must meet dimensional requirements from Figure 9. Anchorage strength must comply with Section 2.1 requirements. <input checked="" type="checkbox"/> <i>If the user is unable to determine whether the anchorage meets these requirements, then the user should either seek a Qualified Person or professional engineer who is able to do so or contact 3M Technical Services.</i>
Service Temperature:	-40°C (-40°F) Minimum Service Temperature
Minimum Breaking Strength:	5,000 lbf (22.2 kN) Minimum Breaking Strength
Dimensions:	See Figure 1 for the dimensions of each product model.
Weight:	Models 2104560 and 2104568: 1.2 lb. (0.55 kg)

Component Specifications:		
Figure 2 Reference	Component	Materials
(A)	Bolt	Steel
(B)	Flat Washer	Steel
(C)	D-Ring	Steel
(D)	D-Ring Bracket	Stainless Steel
(E)	Flanged Spacer	Steel
(F)	Plastic Spacer	Plastic
(G)	Expansion Sleeve	Steel
(H)	Cone Nut	Steel

Concrete Hole Requirements - (See Figure 9)

Concrete Minimum Thickness: (h)	Minimum Distance from Edge/Corner: (c)	Hole Spacing: (s)	Drilled Hole Diameter: (d)	Minimum Hole Depth: (y)	Concrete Minimum Compressive Strength:
≥6.25 in (15.9 cm)	≥15.0 in (38.1 cm)	≥10.0 in (25.4 cm)	18 mm, 11/16 in, or 3/4 in	≥4.13 in (10.5 cm)	≥3000 psi (20.7 MPa) fully cured

Drill bits for drilling mounting holes must conform to ANSI requirements.

1.0 PRODUCT APPLICATION

- 1.1 PURPOSE:** Anchorage Connectors are designed to provide anchorage connection points for Fall Arrest¹, Fall Restraint², Work Positioning³, or Rescue⁴ systems.

Fall Protection Only: This Anchorage Connector is for connection of Fall Protection equipment. Do not connect Lifting Equipment to the Anchorage Connector.

- 1.2 STANDARDS:** Your Anchorage Connector conforms to the national or regional standard(s) identified on the front cover of these instructions. If this product is resold outside the original country of destination, the re-seller must provide these instructions in the language of the country in which the product will be used.
- 1.3 SUPERVISION:** Use of this equipment must be supervised by a Competent Person⁵.
- 1.4 TRAINING:** This equipment must be installed and used by persons trained in its correct application. This manual is to be used as part of an employee training program as required by national, regional, or local standards. It is the responsibility of the users and installers of this equipment to ensure they are familiar with these instructions, trained in the correct care and use of this equipment, and are aware of the operating characteristics, application limitations, and consequences of improper use of this equipment.
- 1.5 RESCUE PLAN:** When using this equipment and connecting subsystem(s), the employer must have a rescue plan and the means at hand to implement and communicate that plan to users⁶, authorized persons⁷, and rescuers⁸. A trained, on-site rescue team is recommended. Team members should be provided with the equipment and techniques to perform a successful rescue. Training should be provided on a periodic basis to ensure rescuer proficiency.
- 1.6 AFTER A FALL:** If the product is subjected to fall arrest or impact force, remove the product from service immediately. Clearly tag the product "DO NOT USE". See Section 5 for more information.

2.0 SYSTEM REQUIREMENTS

- 2.1 ANCHORAGE:** Anchorage structure requirements vary with the system application and whether it is a certified anchorage⁹ or non-certified anchorage¹⁰. The structure to which a Fall Arrest, Restraint, Work Positioning, or Rescue system is attached must sustain static loads applied in the directions permitted as shown in the following table. Anchorage strength requirements, along with system applications, are specified below, unless noted or defined otherwise in Table 1:

Fall Protection System	Certified Anchorage ⁹	Non-Certified Anchorage ¹⁰	Defined by
Fall Arrest	2 times maximum arresting force	5,000 lbf (22.2 kN)	OSHA, ANSI
Restraint/Travel Restraint	2 times foreseeable force	1,000 lbf (4.4 kN) per ANSI 5,000 lbf (22.2 kN) per OSHA	OSHA, ANSI
Work Positioning	2 times foreseeable force	3,000 lbf (13.3 kN)	OSHA, ANSI
Rescue	5 times applied load	3,000 lbf (13.3 kN)	ANSI

When more than one system is attached to an anchorage, the strengths stated above must be multiplied by the number of systems attached to the anchorage. See ANSI Z359.2 for more information.

- 2.2 PERSONAL FALL ARREST SYSTEM:** Figure 1 illustrates the application of this Anchorage Connector. Personal Fall Arrest Systems (PFAS) used with the system must meet applicable Fall Protection standards, codes, and requirements. The PFAS must incorporate a Full Body Harness and limit Arresting Force to the following values:

	Maximum Arresting Force	Free Fall
PFAS with Shock Absorbing Lanyard	1800 lbf (8 kN)	Refer to the instruction(s) included with your Lanyard or SRD for Free Fall limitations.
PFAS with Self Retracting Device (SRD)	1800 lbf (8 kN)	

- 2.3 FALL PATH AND SRD LOCKING SPEED:** A clear path is required to assure positive locking of an SRD. Situations which do not allow for an unobstructed fall path should be avoided. Working in confined or cramped spaces may not allow the body to reach sufficient speed to cause the SRD to lock if a fall occurs. Working on slowly shifting material, such as sand or grain, may not allow enough speed buildup to cause the SRD to lock.

1 Fall Arrest System: A collection of Fall Protection Equipment configured to arrest a free fall. Protects the user in the event of a fall. Free fall is permitted up to the limits allowed by the connecting device (either an Energy Absorbing Lanyard or Self-Retracting Device (SRD)).

2 Restraint System: A collection of Fall Protection Equipment configured to prevent the person's center of gravity from reaching a fall hazard. Prevents the user from reaching a hazard. No vertical free fall is permitted.

3 Work Positioning System: A collection of Fall Protection Equipment configured to support a user at a work position. Must include a back-up personal fall arrest system. Maximum permissible free fall is 2 feet.

4 Rescue System: A collection of Fall Protection Equipment configured to remove a person from danger, harm, or confinement to a safe location. No vertical free fall is permitted.

5 Competent Person: One who is capable of identifying existing and predictable hazards in the surroundings or working conditions which are unsanitary, hazardous, or dangerous to employees, and who has authorization to take prompt corrective measures to eliminate them.

6 User: A person who performs activities while protected by a Fall Protection system.

7 Authorized Person: A person assigned by the employer to perform duties at a location where the person will be exposed to a fall hazard.

8 Rescuer: Person or persons other than the rescue subject acting to perform an assisted rescue by operation of a rescue system.

9 Certified Anchorage: An anchorage for fall arrest, positioning, restraint, or rescue systems that a Qualified Person certifies to be capable of meeting the criteria for a certified anchorage according to Section 2.1.

10 Non-Certified Anchorage: A fall arrest anchorage that a Competent Person can judge to be capable of supporting the predetermined anchorage forces listed in Section 2.1.

- 2.4 HAZARDS:** Use of this equipment in areas with environmental hazards may require additional precautions to prevent injury to the user or damage to the equipment. Hazards may include, but are not limited to: heat, chemicals, corrosive environments, high voltage power lines, explosive or toxic gases, moving machinery, sharp edges, or overhead materials that may fall and contact the user or Personal Fall Arrest System.
- 2.5 FALL CLEARANCE:** Figure 3 illustrates the components of a Fall Arrest. There must be sufficient Fall Clearance (FC) to arrest a fall before the user strikes the ground or other obstruction. Clearance is affected by a number of factors including: Anchorage Location, (A) Lanyard Length, (B) Lanyard Deceleration Distance or SRD Maximum Arrest Distance, (C) Harness Stretch and D-Ring/Connector Length and Settling. Refer to the instructions included with your Fall Arrest subsystem for specifics regarding Fall Clearance calculation.
- 2.6 SWING FALLS:** Swing Falls occur when the anchorage point is not directly above the point where a fall occurs (see Figure 4). The force of striking an object in a swing fall may cause serious injury or death. Minimize swing falls by working as directly below the anchorage point as possible. Do not permit a swing fall if injury could occur. Swing falls will significantly increase the clearance required when a Self-Retracting Device or other variable length connecting subsystem is used.
- 2.7 COMPONENT COMPATIBILITY:** 3M equipment is designed for use with 3M approved components and subsystems only. Substitutions or replacements made with non-approved components or subsystems may jeopardize compatibility of equipment and may affect the safety and reliability of the complete system.
- 2.8 CONNECTOR COMPATIBILITY:** Connectors are considered to be compatible with connecting elements when they have been designed to work together in such a way that their sizes and shapes do not cause their gate mechanisms to inadvertently open regardless of how they become oriented. Contact 3M if you have any questions about compatibility.
- Connectors (hooks, carabiners, and D-rings) must be capable of supporting at least 5,000 lbf (22.2 kN). Connectors must be compatible with the anchorage or other system components. Do not use equipment that is not compatible. Non-compatible connectors may unintentionally disengage (see Figure 5). Connectors must be compatible in size, shape, and strength. If the connecting element to which a snap hook or carabiner attaches is undersized or irregular in shape, a situation could occur where the connecting element applies a force to the gate of the snap hook or carabiner (A). This force may cause the gate to open (B), allowing the snap hook or carabiner to disengage from the connecting point (C).
- Self-locking snap hooks and carabiners are required by ANSI Z359 and OSHA.
- 2.9 MAKING CONNECTIONS:** Snap hooks and carabiners used with this equipment must be self-locking. Ensure all connections are compatible in size, shape and strength. Do not use equipment that is not compatible. Ensure all connectors are fully closed and locked.
- 3M connectors (snap hooks and carabiners) are designed to be used only as specified in each product's user's instructions. See Figure 6 for examples of inappropriate connections. Do not connect snap hooks and carabiners:
- A. To a D-ring to which another connector is attached.
 - B. In a manner that would result in a load on the gate. Large throat snap hooks should not be connected to standard size D-rings or similar objects which will result in a load on the gate if the hook or D-ring twists or rotates, unless the snap hook complies is equipped with a 3,600 lbf (16 kN) gate. Check the marking on your snap hook to verify that it is appropriate for your application.
 - C. In a false engagement, where features that protrude from the snap hook or carabiner catch on the anchor, and without visual confirmation seems to be fully engaged to the anchor point.
 - D. To each other.
 - E. Directly to webbing or rope lanyard or tie-back (unless the manufacturer's instructions for both the lanyard and connector specifically allows such a connection).
 - F. To any object which is shaped or dimensioned such that the snap hook or carabiner will not close and lock, or that roll-out could occur.
 - G. In a manner that does not allow the connector to align properly while under load.

3.0 INSTALLATION

The owner of this equipment may contact 3M Technical Services with any questions regarding equipment installation, use, or inspection.

Installation of the DBI-SALA Concrete Bolt Anchor must be performed or supervised by a Competent Person for Non-Certified Anchorages. A Qualified Person¹ shall supervise the design, selection, installation, use, and inspection of Certified Anchorages.

- 3.1 PLANNING:** Plan your Fall Protection system prior to installation of the Concrete Bolt Anchor. Account for all factors that may affect your safety before, during and after a fall. Consider all requirements, limitations and specifications defined in Section 2 and Table 1. Select a concrete location that is free of any cracks or other defects that could affect the strength of the concrete structure.

3M shall make available upon request information that is necessary for the design and planning of systems.

- 3.2 INSTALLING THE CONCRETE BOLT ANCHOR:** The Concrete Bolt Anchor can be installed in concrete meeting the anchorage requirements specified in Table 1. See Figure 7 for proper loading of the Concrete Bolt Anchor. Figure 8 illustrates installation of the Concrete Bolt Anchor. To install the Concrete Bolt Anchor:

1. Mark the location for the placement of the Concrete Bolt Anchor. Observe minimum edge distance and spacing requirements as specified in Figure 9.
2. Use a rotary hammer and an 18-mm, 11/16-inch, or 3/4-inch bit to drill a hole to a depth of 4 1/8 in (10.5 cm). Clean the hole using a blow-out bulb or compressed air. The hole must be free of debris for the Concrete Bolt Anchor to develop full strength.
3. Use a hammer to drive the Concrete Bolt Anchor into the hole. The Concrete Bolt Anchor must be seated firmly against the D-Ring Bracket. Do not expand the anchor bolt by hand before installation.
4. Tighten the bolt using a 19 mm wrench. When the appropriate torque is achieved the red hex head will shear off leaving the silver spacer portion behind. A torque wrench is not required for installation. The silver spacer should be removed by prying off with a flat bar or screw driver, which leaves only the hex head of the anchor bolt. The anchor has now been tightened properly, no further adjustment is necessary.

Do not use an impact driver or drill for installation of the Concrete Bolt Anchor. Only a wrench should be used for torquing of the Concrete Bolt Anchor.

4.0 USE

- 4.1 BEFORE EACH USE:** Verify that your work area and Fall Protection system meet all criteria defined in these instructions. Verify that a formal Rescue Plan is in place. Inspect the Concrete Bolt Anchor per the 'User' inspection points defined on the "Inspection and Maintenance Log". If inspection reveals an unsafe or defective condition, or if there is any doubt about its condition for safe use, remove the Concrete Bolt Anchor from service immediately. Clearly tag the system "DO NOT USE". See Section 5 for more information.

- 4.2 FALL ARREST CONNECTIONS:** The Concrete Bolt Anchor is designed for use in several applications. The connector is in compliance with ANSI Z359.18 Type A. The product applications are:

- **Attachment of a Fall Arrest system:** Full Body Harness and connecting subsystem, such as an SRD or Energy-Absorbing Lanyard. See Figure 10a.
- **Restraint:** Full Body Harness and lanyard or restraint line. See Figure 10b.
- **Work Positioning:** Full Body Harness, positioning lanyard and a back-up Fall Arrest system. See Figure 10c.
- **Suspension:** Full Body Harness, boatswains's chair or seat board, and a back-up Fall Arrest system.
- **Rescue system:** Configured, depending on the type of rescue, to an anchorage.

- 4.3 REMOVAL:** The Concrete Bolt Anchor can be removed by loosening the bolt with a 19 mm wrench. Parts of the Concrete Bolt Anchor bolt will remain in the hole permanently. After removal, the hole should be filled with grout or sealant to prevent reuse of the hole. The bolt cannot be reused and must be destroyed after removal.

- 4.4 REUSE:** The flanged spacer and D-ring components may be reused if they have not been subjected to a fall force. The replacement bolt model numbers are shown in Figure 1. Refer to the previous section for removal instructions. Assemble the Concrete Bolt Anchor using DBI-SALA supplied parts as seen in Figure 2. The components should be assembled on the bolt in the following order: flat washer, D-ring bracket, flanged spacer, black plastic spacer, expansion sleeve, and cone nut. The D-ring bracket must fit over the flanged spacer and rotate freely. Two tabs on the plastic spacer must engage the matching slots on the expansion sleeve as seen in Figure 2. Do not expand the anchor bolt by hand prior to installation.

5.0 INSPECTION

After product has been removed from service, it may not be returned to service until a Competent Person confirms in writing that it is acceptable to do so.

- 5.1 INSPECTION FREQUENCY:** The product shall be inspected before each use by an authorized person and, additionally, by a Competent Person other than the user at intervals of no longer than one year. A higher frequency of equipment use and harsher conditions may require increasing the frequency of Competent Person inspections. The frequency of these inspections should be determined by the Competent Person per the specific conditions of the worksite.

- 1 Qualified Person:** An individual with a recognized degree or professional certificate, and extensive experience in Fall Protection. This individual must be capable of design, analysis, evaluation, and specification in Fall Protection.

5.2 INSPECTION PROCEDURES: Inspect this product per the procedures listed in the "Inspection and Maintenance Log". Documentation of each inspection should be maintained by the owner of this equipment. An inspection and maintenance log should be placed near the product or be otherwise easily accessible to users. It is recommended that the product is marked with the date of next or last inspection.

Alternative inspection criteria may be set by the owner of this equipment. Alternative criteria must be equal to or exceed those established by 3M in the "Inspection and Maintenance Log" and other official documents.

5.3 DEFECTS: If the Concrete Bolt Anchor cannot be returned to service because of an existing defect or unsafe condition, or because it has been subjected to a fall arrest, either destroy the product or contact 3M regarding possible replacement or repair.

5.4 PRODUCT LIFE: The functional life of the Concrete Bolt Anchor is determined by work conditions and maintenance. As long as the product passes inspection criteria, it may remain in service.

6.0 MAINTENANCE, SERVICE, and STORAGE

Equipment that is in need of maintenance or scheduled for maintenance should be tagged "DO NOT USE". These equipment tags should not be removed until maintenance is performed.

6.1 CLEANING: Periodically clean the Concrete Bolt Anchor's metal components with a soft brush, warm water, and a mild soap solution. Ensure parts are thoroughly rinsed with clean water.

6.2 SERVICE: Only 3M or parties authorized in writing by 3M may make repairs to this equipment.

6.3 STORAGE AND TRANSPORT: When not in use, store and transport the Concrete Bolt Anchor and associated Fall Protection equipment in a cool, dry, clean environment out of direct sunlight. Avoid areas where chemical vapors may exist. Thoroughly inspect components after extended storage.

7.0 LABELS and MARKINGS

7.1 LABELS: Figure 11 illustrates labels on the Concrete Bolt Anchor. Labels must be replaced if they are not present or fully legible. Information provided on each label is as follows:

A	<ul style="list-style-type: none"> 1) Company Website 2) Product Specifications 3) Manufactured (Year/Month) and Lot Number 4) Model Number 5) Applicable Standards 6) Warning Statement
B	<ul style="list-style-type: none"> 1) Materials 2) Capacity 3) Manufactured (Year/Month) and Lot Number 4) Model Number 5) Applicable Standards 6) Warning Statement
C	<ul style="list-style-type: none"> 1) Installation Procedure 2) Concrete Hole Specifications 3) Inspection Procedure
D	<ul style="list-style-type: none"> 1) Installation Procedure 2) Concrete Hole Specifications 3) Inspection Procedure

INFORMATION DE SÉCURITÉ

Veillez lire, comprendre et suivre toutes les informations de sécurité contenues dans ces instructions avant d'utiliser ce connecteur d'ancrage. LE NON-RESPECT DE CES INSTRUCTIONS PEUT ENTRAÎNER DES BLESSURES GRAVES, VOIRE LA MORT.

Ces instructions doivent être transmises à l'utilisateur de cet équipement. Veillez conserver ces instructions pour une utilisation ultérieure.

Utilisation prévue :

Ce connecteur d'ancrage est prévu pour être utilisé comme partie intégrante d'un système de protection antichute personnel complet.

L'utilisation dans le cadre d'autres applications comme, sans en exclure d'autres, des activités récréatives ou liées au sport, ou d'autres activités non décrites dans les instructions destinées à l'utilisateur, n'est pas approuvée par 3M et peut entraîner des blessures graves voire la mort.

Ce dispositif doit être utilisé uniquement par des usagers formés sur les applications du lieu de travail.

AVERTISSEMENT

Ce connecteur d'ancrage fait partie intégrante d'un système de protection antichute personnel complet. Il est attendu que tous les usagers sont entièrement formés sur l'installation sécuritaire et le fonctionnement de leur système de protection antichute personnel. **Une mauvaise utilisation de ce dispositif peut entraîner des blessures graves, voire la mort.** Pour s'assurer d'un choix, d'un fonctionnement, d'une installation, de travaux d'entretien et de réparation appropriés, reportez-vous à ces instructions de l'utilisateur ainsi qu'à toutes les recommandations du fabricant, consultez votre superviseur ou communiquez avec les services techniques de 3M.

- **Pour réduire les risques associés au travail en hauteur avec un connecteur d'ancrage qui, s'ils ne sont pas évités, pourraient entraîner de graves blessures, voire la mort :**
 - Inspectez le dispositif avant chaque utilisation, au moins annuellement, et après chaque cas de chute. Réalisez l'inspection conformément aux instructions de l'utilisateur.
 - Si l'inspection révèle l'existence d'une défectuosité ou d'un problème affectant la sécurité, mettez l'équipement hors service et faites-le réparer ou remplacez-le conformément à ces instructions.
 - Tout dispositif ayant été soumis à un arrêt de chute ou à une force d'impact doit être immédiatement retiré du service et détruit.
 - Ce dispositif ne doit être installé que sur les structures ou dans les substrats spécifiés, comme il est précisé dans les instructions de l'utilisateur. Toute installation ou utilisation qui est hors de la portée de ces instructions doit être approuvée par le service de protection antichute de 3M.
 - La structure ou le substrat auquel le connecteur d'ancrage est fixé doit pouvoir résister aux charges statiques précisées pour le dispositif d'ancrage dans les sens permis indiqués dans les instructions de l'utilisateur.
 - Ne connectez les autres sous-systèmes de protection antichute qu'au point de connexion d'ancrage désigné sur le dispositif.
 - Avant de procéder au perçage ou à une fixation, assurez-vous que la perceuse ou le dispositif n'entrera pas en contact avec des lignes électriques, des conduites de gaz ou d'autres systèmes intégrés critiques.
 - Assurez-vous que les systèmes/sous-systèmes de protection antichute assemblés à partir de composants fabriqués par différents fabricants sont compatibles et répondent aux exigences des normes applicables, y compris la norme ANSI Z359 ou d'autres codes, normes ou exigences de protection antichute applicables. Consultez toujours une personne qualifiée ou compétente avant d'utiliser ces systèmes.
 - (FIXATIONS UNIVERSELLES) Assurez-vous que la fixation universelle est fermement ajustée contre la structure d'ancrage. Ne laissez jamais de jeu dans la fixation universelle.
- **Pour réduire les risques associés au travail en hauteur qui, s'ils ne sont pas évités, pourraient entraîner des blessures graves, voire la mort :**
 - Assurez-vous que votre condition physique et votre état de santé vous permettent de supporter en toute sécurité toutes les forces associées au travail en hauteur. Consultez votre médecin en cas de questions sur votre capacité à utiliser cet équipement.
 - Ne dépassez jamais la capacité maximale permise de votre équipement de protection antichute.
 - Ne dépassez jamais la distance maximale de chute libre de votre équipement de protection antichute.
 - N'utilisez jamais un équipement de protection antichute qui échoue à une inspection préalable à son utilisation ou à toute autre inspection programmée ou encore si vous vous inquiétez de l'utilisation ou de la pertinence de l'équipement pour votre application. En cas de questions, n'hésitez pas à communiquer avec les services techniques de 3M.
 - Certaines combinaisons de sous-systèmes et de composants peuvent gêner le fonctionnement de cet équipement. N'utilisez que des connecteurs compatibles. Consultez 3M avant d'employer cet équipement conjointement avec des composants ou des sous-systèmes autres que ceux décrits dans les instructions à l'utilisateur.
 - Prenez des précautions supplémentaires lorsque vous travaillez à proximité d'une machinerie mobile (p. ex. l'entraînement supérieur d'une plateforme pétrolière), risques électriques, températures extrêmes, risques chimiques, gaz explosifs ou toxiques, bords tranchants ou matériaux en suspension pouvant endommager l'utilisateur ou l'équipement.
 - Lorsque vous travaillez dans un environnement où la chaleur est élevée, utilisez des appareils dont l'usage se fait en environnement chaud ou en présence d'arc électrique.
 - Évitez les surfaces et les objets qui pourraient endommager l'équipement de l'utilisateur.
 - Lorsque vous travaillez en hauteur, vérifiez d'abord que la distance d'arrêt est adéquate.
 - Ne modifiez jamais votre équipement de protection antichute. Seules 3M ou les parties autorisées par écrit par 3M sont en droit d'effectuer des réparations sur cet équipement.
 - Avant d'utiliser un équipement de protection antichute, assurez-vous qu'un plan de sauvetage est en place et permet un sauvetage rapide en cas de chute.
 - Si un tel incident devait se produire, obtenez des soins médicaux immédiats pour le travailleur tombé.
 - N'utilisez pas de ceinture de travail dans les applications de protection antichute. N'utilisez qu'un harnais de sécurité complet.
 - Vous pouvez réduire les chutes oscillantes en travaillant aussi près que possible de l'ancrage.
 - Si ce dispositif est utilisé en formation, un second système de protection antichute doit être utilisé aussi de façon à ne pas exposer le stagiaire à un danger de chute involontaire.
 - Portez toujours un équipement de protection individuelle approprié lors de l'installation, de l'utilisation ou de l'inspection du dispositif/système.

Avant d'installer et d'utiliser cet équipement, consigner l'information d'identification de produit de l'étiquette d'identification dans le Journal d'inspection et d'entretien (tableau 2) à la fin de ce manuel.

Toujours s'assurer d'utiliser la dernière révision du manuel d'utilisation de 3M. Consulter le site Web de 3M ou communiquer avec le Service technique de 3M pour obtenir des manuels d'utilisation mis à jour.

DESCRIPTION DU PRODUIT :

La figure 1 montre l'ancrage à boulon pour le béton DBI-SALAMC 3MMC. L'ancrage à boulon pour le béton est un connecteur d'ancrage à point unique destiné au système antichute individuel et conçu pour être fixé à une structure de soutien. L'ancrage à boulon pour le béton peut également être utilisé comme terminaison d'extrémité pour les systèmes horizontaux avec ligne de vie approuvés par 3M qui respectent la norme ANSI Z359.18 Type A.

La figure 2 montre les composants de l'ancrage à boulon pour le béton. Consulter le tableau 1 pour les spécifications des composants. L'ancrage à boulon pour le béton comprend un boulon (A), une rondelle plate (B), un anneau en D (C), un support d'anneau en D (D), une entretoise à épaulement (E), une entretoise en plastique (F), un manchon d'extension (G) et un écrou conique (H) positionné sur le boulon.

Tableau 1 – Spécifications

Spécifications du système :	
Capacité :	Une personne dont le poids combiné (vêtements, outils, etc.) ne dépasse pas 140 kg (310 lb) conformément à l'ANSI ou 191 kg (420 lb) conformément à l'OSHA.
Normes :	Voir la figure 1 pour les normes applicables de chaque modèle de produit. Les modèles homologués en vertu de la norme ANSI Z359.18-2017 ont également été mis à l'essai conformément aux exigences de la norme ANSI Z359.7. <input checked="" type="checkbox"/> La conformité aux normes de l'ANSI et les essais en vertu de ces dernières ne couvrent que le produit et ne s'étendent pas à la structure d'ancrage ou au substrat auquel le produit est fixé.
Résistance d'ancrage :	La structure doit répondre aux exigences dimensionnelles de la figure 9. La compatibilité de l'ancrage doit être conforme aux exigences de la section 2.1. <input checked="" type="checkbox"/> Si l'utilisateur n'est pas en mesure de déterminer si l'ancrage répond à ces exigences, il doit alors trouver une personne qualifiée ou un ingénieur professionnel en mesure de le faire ou communiquer avec le Service technique de 3M.
Température de service :	-40°C (-40°F) Température de service minimale
Résistance à la rupture minimale :	22,2 kN (5 000 lbf) Force de rupture minimale
Dimensions :	Voir la figure 1 pour les dimensions de chaque modèle de produit.
Poids :	Modèles 2104560 et 2104568 : 0,55 kg (1,2 lb)

Spécifications des composants :

Figure 2 Référence	Composant	Matériau
(A)	Boulon	Acier
(B)	Rondelle plate	Acier
(C)	Anneau en D	Acier
(D)	Support d'anneau en D	Acier inoxydable
(E)	Entretoise à épaulement	Acier
(F)	Entretoise en plastique	Plastique
(G)	Manchon d'extension	Acier
(H)	Écrou conique	Acier

Exigences relatives aux trous de béton – (voir la figure 9)

Épaisseur minimale du béton : (h)	Distance minimale du bord/coin : (c)	Espacement entre les trous : (s)	Diamètre du trou percé : (d)	Profondeur minimum du trou : (y)	Résistance minimale à la compression du béton :
≥ (6,25 po) 15,9 cm	≥ (15,0 po) 38,1 cm	≥ (10,0 po) 25,4 cm	18 mm, 11/16 po ou 3/4 po	≥ (4,13 po) 10,5 cm	(3 000 lb/po ²) 20,7 MPa – durcissement complet

Les forets utilisés pour percer les trous de fixation doivent être conformes aux exigences de l'ANSI.

1.0 APPLICATION DU PRODUIT

1.1 OBJECTIF : Les connecteurs d'ancrage sont conçus pour fournir des points de raccordement d'ancrage pour les systèmes antichute¹, systèmes de limitation de chute², systèmes de positionnement pour le travail³ ou systèmes de⁴ sauvetage.

Pour la protection contre les chutes seulement : Ce connecteur d'ancrage est conçu pour le raccordement du matériel de protection contre les chutes. Ne pas raccorder d'équipement de levage au connecteur d'ancrage.

1.2 NORMES VOTRE : connecteur d'ancrage est conforme à la ou aux normes nationales ou régionales identifiées sur la couverture avant de ces instructions. Si ce produit est revendu en dehors du pays d'origine de destination, le revendeur doit fournir ces instructions dans la langue du pays dans lequel le produit est utilisé.

1.3 SUPERVISION : L'utilisation de cet équipement doit être supervisée par une personne compétente⁵.

1.4 FORMATION : Cet équipement doit être installé et utilisé par des personnes formées pour que son application soit appropriée. Ce manuel doit être utilisé dans le cadre d'un programme de formation pour les employés, comme l'exigent les normes nationales, régionales ou locales. L'utilisateur et l'installateur de cet équipement sont tenus de se familiariser avec les présentes instructions, de suivre une formation afin de maintenir et d'utiliser correctement cet équipement et de bien connaître les caractéristiques opérationnelles, les limites des applications ainsi que les conséquences d'une utilisation inappropriée de cet équipement.

1.5 PLAN DE SAUVETAGE : Pour l'utilisation de cet équipement et des sous-systèmes de raccordement, l'employeur doit avoir un plan de sauvetage et les moyens de le mettre en œuvre et de le communiquer aux utilisateurs⁶, aux personnes autorisées⁷ et aux sauveteurs⁸. Il est conseillé d'avoir une équipe de sauvetage formée présente sur place. Les membres de l'équipe doivent disposer du matériel et de l'équipement, ainsi que des connaissances techniques nécessaires pour accomplir un sauvetage réussi. La formation doit être répétée régulièrement afin d'assurer l'efficacité des sauveteurs.

1.6 APRÈS UNE CHUTE : Si le produit a été soumis à une force d'arrêt de chute ou d'impact, le mettre hors service immédiatement. Indiquer clairement « NE PAS UTILISER » sur le produit. Consulter la section 5 pour obtenir de plus amples renseignements.

2.0 EXIGENCES DU SYSTÈME

2.1 ANCRAGE : Les exigences de structure d'ancrage varient selon l'application du système et le fait qu'il s'agisse d'un ancrage homologué⁹ ou d'un ancrage non homologué¹⁰. La structure à laquelle est fixé le système antichute, de limitation de chute, de positionnement pour le travail ou de sauvetage doit supporter des charges statiques appliquées dans les directions autorisées, comme l'indique le tableau suivant. Les exigences de résistance d'ancrage, de même que les applications du système, sont détaillées ci-dessous, sauf si elles sont notées ou définies dans le tableau 1 :

Systèmes de protection contre les chutes	Ancrage homologué ⁹	Ancrage non homologué ¹⁰	Défini par
Système antichute	2 fois la force d'arrêt maximale	22,2 kN (5 000 lbf)	OSHA, ANSI
Dispositif de retenue/ restriction du déplacement	2 fois la force prévisible	4,4 kN (1 000 lb) selon l'ANSI 22,2 kN (5 000 lb) selon l'OSHA	OSHA, ANSI
Positionnement de travail	2 fois la force prévisible	13,3 kN (3 000 lbf)	OSHA, ANSI
Sauvetage	5 fois la charge appliquée	13,3 kN (3 000 lbf)	ANSI

Lorsque plusieurs équipements sont fixés à un ancrage, les forces indiquées ci-dessus doivent être multipliées par le nombre d'équipements de sauvetage fixés à l'ancrage. Consulter la section ANSI Z359.2 pour de plus amples informations.

2.2 SYSTÈME ANTICHUTE INDIVIDUEL : La figure 1 illustre l'utilisation de ce connecteur d'ancrage. Les systèmes antichute individuels utilisés avec ce système doivent être conformes aux normes, aux codes et aux exigences applicables en matière de protection contre les chutes. Le système antichute individuel doit comporter un harnais de sécurité complet et limiter la force d'arrêt conformément aux valeurs suivantes :

	Force d'arrêt maximale	Chute libre
Système antichute individuel avec long amortisseur de choc	8 kN (1800 lbf)	Consulter les instructions incluses avec la longe ou le dispositif autorétractable pour obtenir de plus amples renseignements sur les limites associées aux chutes libres.
Système antichute individuel avec dispositif autorétractable	8 kN (1800 lbf)	

1 Système antichute : Ensemble de matériel de protection contre les chutes configuré pour arrêter une chute libre. Protège l'utilisateur en cas de chute.

La distance en chute libre admissible se limite à celle permise par le dispositif de raccordement (qu'il s'agisse d'une longe amortisseur de choc ou d'un dispositif autorétractable).

2 Système de limitation de chute : Ensemble de matériel de protection contre les chutes configuré pour empêcher que le centre de gravité de la personne se retrouve en danger de chute. Empêche l'utilisateur de se retrouver en danger de chute. Aucune chute libre verticale n'est possible.

3 Système de positionnement pour le travail : Ensemble de matériel de protection contre les chutes configuré pour supporter un utilisateur dans une position de travail. Doit comporter un système antichute individuel. La distance en chute libre maximale autorisée est de 2 pieds.

4 Système de sauvetage : Ensemble de matériel de protection contre les chutes configuré pour extraire une personne d'une situation dangereuse, lui éviter des blessures ou la confiner dans un endroit sûr. Aucune chute libre verticale n'est possible.

5 Personne compétente : Personne capable de reconnaître les dangers existants et prévisibles au sein du milieu de travail ou les conditions de travail insalubres, risquées ou dangereuses pour les employés, et qui possède l'autorisation pour apporter des mesures correctives diligentes pour les éliminer.

6 Utilisateur : Une personne qui réalise des activités tout en étant protégée par un système de protection contre les chutes.

7 Personne autorisée : Une personne affectée par l'employeur et chargée d'exécuter des travaux à un emplacement qui l'expose à un danger de chute.

8 Sauveteur : Toute personne autre que la personne secourue effectuant un sauvetage assisté à l'aide d'un système de sauvetage.

9 Ancrage homologué : Un ancrage pour les systèmes antichute, de positionnement, de limitation de chute ou de sauvetage qu'une personne qualifiée juge capable de satisfaire aux critères en matière d'ancrage homologué conformément à la section 2.1.

10 Ancrage non homologué : Un ancrage pour un système antichute qu'une personne compétente peut juger capable de supporter les forces d'ancrage prédéterminées énumérées à la section 2.1.

- 2.3 TRAJECTOIRE DE CHUTE ET VITESSE DE BLOCAGE DU DISPOSITIF AUTORÉTRACTABLE :** Une trajectoire de chute non obstruée est nécessaire pour que le dispositif autorétractable se bloque normalement. Les situations sans trajectoire de chute non obstruée doivent être évitées. Lorsqu'une personne travaille dans un espace réduit ou étroit, il est possible qu'en cas de chute, le corps ne puisse pas atteindre une vitesse suffisante pour que le dispositif autorétractable se bloque. De même, il est possible qu'une personne travaillant sur un matériau instable, comme du sable ou du grain, ne puisse pas chuter à une vitesse suffisante pour bloquer le dispositif autorétractable.
- 2.4 DANGERS :** L'utilisation de cet équipement dans des zones de dangers environnementaux peut exiger de prendre des précautions additionnelles afin d'éviter que l'utilisateur ne se blesse ou que l'équipement ne subisse des dommages. Les dangers peuvent comprendre, notamment et sans limitation : la chaleur, les produits chimiques, les environnements corrosifs, les lignes électriques à haute tension, les gaz explosifs ou toxiques, de la machinerie en mouvement, les bords acérés ou les matériaux suspendus pouvant tomber et entrer en contact avec l'utilisateur ou le système antichute individuel.
- 2.5 DÉGAGEMENT DE CHUTE :** La figure 3 illustre les composants d'un système antichute. Le dégagement de chute (DC) sous l'utilisateur doit être suffisant pour arrêter la chute avant qu'il n'entre en contact avec le sol ou tout autre obstacle. Le dégagement est affecté par un certain nombre de facteurs, notamment : emplacement de l'ancrage, (A) longueur de la longe, (B) distance de décélération de la longe ou distance d'arrêt maximale du dispositif autorétractable (C) étirement du harnais et affaissement et longueur de l'anneau du D/du connecteur. Se reporter aux instructions fournies avec le sous-système antichute pour de plus amples détails sur le calcul du dégagement de chute.
- 2.6 CHUTES AVEC MOUVEMENT DE BALANCIER :** Les chutes avec mouvement de balancier se produisent lorsque le point d'ancrage ne se trouve pas directement au-dessus du point d'ancrage où une chute se produit (voir la figure 4). Si un objet est heurté pendant le mouvement de balancier, la force peut être importante et causer des blessures graves ou la mort. Minimiser les risques de chutes avec mouvement de balancier en travaillant le plus directement possible sous le point d'ancrage. Éviter toute chute avec mouvement de balancier s'il y a un risque de blessure. Les chutes avec mouvement de balancier requièrent une plus grande distance d'arrêt lors de l'utilisation d'un dispositif autorétractable ou de tout autre sous-système de connexion à longueurs variables.
- 2.7 COMPATIBILITÉ DES COMPOSANTS :** L'équipement 3M est destiné à être utilisé uniquement avec des composants et des sous-systèmes approuvés par 3M. Les substitutions ou les remplacements effectués avec des composants ou des sous-systèmes non approuvés peuvent affecter la compatibilité de l'équipement ainsi que la sécurité et la fiabilité du système dans son ensemble.
- 2.8 COMPATIBILITÉ DES CONNECTEURS :** Les connecteurs sont jugés compatibles avec les éléments de connexion lorsqu'ils ont été conçus pour travailler conjointement et de telle manière que leurs tailles et formes n'entraînent pas l'ouverture des mécanismes, quelle que soit leur orientation. Communiquer avec 3M pour toute question sur la compatibilité.
- Les connecteurs (crochets, mousquetons et anneaux en D) doivent pouvoir supporter une charge minimale de 22,2 kN (5 000 lbf). Ils doivent être compatibles avec l'ancrage ou d'autres composants du système. Ne pas utiliser d'équipement non compatible. Les connecteurs non compatibles peuvent se désengager accidentellement (voir la figure 5). La taille, la forme et la résistance des connecteurs doivent être compatibles. Si le connecteur sur lequel se fixe le crochet à ressort ou le mousqueton est trop petit ou de forme irrégulière, celui-ci risque d'exercer une force sur la clavette du crochet à ressort ou du mousqueton (A). Cette force peut entraîner l'ouverture de la clavette (B), permettant ainsi au crochet à ressort ou au mousqueton de se désengager du point d'attache (C).
- La norme Z359 de l'ANSI et l'OSHA exigent l'utilisation de crochets à ressort et de mousquetons autoverrouillables.
- 2.9 RACCORDEMENTS :** Les crochets à ressort et les mousquetons utilisés avec cet équipement doivent être autoverrouillables. S'assurer que la taille, la forme et la résistance de tous les raccords sont compatibles. Ne pas utiliser d'équipement non compatible. S'assurer que tous les connecteurs sont complètement fermés et verrouillés.
- Les connecteurs 3M (crochets à ressort et mousquetons) sont conçus pour être utilisés uniquement selon les instructions propres à chacun des produits. Consulter la figure 6 pour obtenir des exemples de raccords inappropriés. Ne pas connecter de crochet à ressort et de mousqueton :
- À un anneau en D sur lequel un autre connecteur est raccordé.
 - D'une manière qui entraînerait une charge sur la clavette. Les crochets à ressort à ouverture large ne doivent pas être connectés à des anneaux en D de taille standard ou à d'autres objets semblables, au risque d'entraîner une charge sur la clavette si le crochet ou l'anneau en D se déforme ou pivote, sauf si le crochet à ressort est équipé d'une clavette de 16 kN (3 600 lb) de capacité. Vérifier les directives sur le crochet à ressort afin d'assurer qu'il convient à l'application.
 - En cas de fixation défectueuse, où certains éléments qui dépassent du crochet à ressort ou du mousqueton se prennent dans le point d'ancrage et semblent être totalement pris dans le point d'ancrage sans pouvoir le vérifier visuellement.
 - L'un à l'autre.
 - Directement à une sangle, à une longe en corde ou à un nœud coulant (sauf s'il est indiqué dans les instructions du fabricant de la longe et du connecteur qu'un tel raccord est permis).
 - À un objet dont la forme ou la dimension bloque la fermeture et le verrouillage du crochet à ressort ou du mousqueton ou pourrait provoquer leur décrochage.
 - S'ils ne permettent pas au connecteur de s'aligner correctement alors qu'il est sous tension.

3.0 INSTALLATION

Le propriétaire de cet équipement peut communiquer avec le Service technique de 3M pour toute question concernant l'installation, l'utilisation ou l'inspection de l'équipement.

L'installation de l'ancrage à boulon pour le béton DBI-SALA doit être faite ou supervisée par une personne compétente pour les ancrages non homologués. Une personne qualifiée¹ doit superviser la conception, la sélection, l'installation, l'utilisation et l'inspection des ancrages homologués.

3.1 PLANIFICATION : Planifier la configuration du système de protection contre les chutes avant l'installation de l'ancrage à boulon pour le béton. Prendre en compte tous les facteurs qui pourraient affecter la sécurité avant, pendant et après une chute. Tenir compte de toutes les exigences, restrictions et spécifications indiquées dans la section 2 et le tableau 1. Sélectionner un emplacement en béton exempt de fissures ou d'autres défauts susceptibles de compromettre la résistance de la structure en béton.

3M rendra accessible sur demande les renseignements nécessaires à la conception et à la planification des systèmes.

3.2 INSTALLATION DE L'ANCRAGE À BOULON POUR LE BÉTON : L'ancrage à boulon pour le béton peut être installé dans du béton répondant aux exigences d'ancrage précisées dans le tableau 1. Voir la figure 7 pour le chargement approprié de l'ancrage à boulon pour le béton. La figure 8 montre l'installation de l'ancrage à boulon pour le béton. Pour installer l'ancrage à boulon pour le béton :

1. Marquer l'emplacement pour la mise en place de l'ancrage à boulon pour le béton. Respecter les exigences minimales de distance et d'espacement des bords, comme l'indique la figure 9.
2. Utiliser une perceuse à percussion et une mèche de 18 mm, de 11/16 po ou de 3/4 po pour percer un trou à une profondeur de 10,5 cm (4 1/8 po). Nettoyer le trou à l'aide d'une poire de soufflage ou d'air comprimé. Aucun débris ne doit subsister dans le trou afin que l'ancrage à boulon pour le béton puisse obtenir une résistance maximale.
3. À l'aide d'un marteau, enfoncer l'ancrage à boulon pour le béton dans le trou. L'ancrage à boulon pour le béton doit être solidement appuyé contre le support d'anneau en D. Ne pas allonger le connecteur d'ancrage à la main avant de procéder à l'installation.
4. Serrez le boulon à l'aide d'une clé de 19 mm. Lorsque le couple approprié est atteint, la tête hexagonale rouge se cisaille et se détache de l'entretoise argentée. Il n'est pas nécessaire d'utiliser une clé dynamométrique pour procéder à l'installation. L'entretoise argentée doit être retirée en faisant levier avec un arrache-clous ou un tournevis, ce qui ne laisse que la tête hexagonale du boulon d'ancrage. L'ancrage est maintenant correctement serré ; aucun autre réglage n'est nécessaire.

Ne pas utiliser de visseuse à chocs ou de perceuse pour l'installation de l'ancrage à boulon pour le béton. Seule une clé doit être utilisée pour le réajustement de couple de l'ancrage à boulon pour le béton.

4.0 UTILISATION

4.1 AVANT CHAQUE UTILISATION : Vérifier que la zone de travail et le système de protection contre les chutes répondent à tous les critères définis dans les présentes instructions. S'assurer qu'un plan de sauvetage est en place. Inspecter l'ancrage à boulon pour le béton en suivant les points d'inspection « Utilisateur » définis dans le « Journal d'inspection et d'entretien ». Si l'inspection révèle des conditions dangereuses ou un état défectueux, ou s'il y a un doute relativement à son état en vue d'une utilisation sécuritaire, mettre immédiatement l'ancrage à boulon pour le béton hors service. Indiquer clairement « NE PAS UTILISER » sur le système. Consulter la section 5 pour obtenir de plus amples renseignements.

4.2 CONNEXIONS POUR SYSTÈME ANTICHUTE : L'ancrage à boulon pour le béton est conçu pour être utilisé dans plusieurs applications. Le connecteur est conforme à la norme ANSI Z359.18 Type A. Voici les applications du produit :

- **Fixation d'un système antichute :** Harnais de sécurité complet et sous-système de raccordement, comme un dispositif autorétractable ou une longe amortisseur de choc. Voir la figure 10a.
- **Retenue :** Harnais de sécurité complet et longe ou ligne de restriction du déplacement. Voir la figure 10b.
- **Positionnement de travail :** Harnais de sécurité complet, longe de positionnement et système antichute de secours. Voir la figure 10c.
- **Suspension :** Harnais de sécurité complet, sellette ou siège et système antichute de secours.
- **Système de sauvetage :** Fixé, selon le type de sauvetage, à un ancrage.

4.3 RETRAIT : L'ancrage à boulon pour le béton peut être retiré en desserrant le boulon à l'aide d'une clé de 19 mm. Certaines parties du boulon de l'ancrage à boulon pour le béton demeureront définitivement dans le trou. Après le retrait, le trou doit être rempli de coulis ou de mastic pour éviter toute réutilisation du même emplacement. Le boulon ne doit pas être réutilisé et doit être détruit après son enlèvement.

4.4 RÉUTILISATION : L'entretoise à épaulement et les composants de l'anneau en D peuvent être réutilisés s'ils n'ont pas été soumis à une force de chute. Les numéros de modèle des boulons de rechange sont indiqués à la figure 1. Des instructions de retrait sont incluses dans la section précédente. Assembler l'ancrage à boulon pour le béton avec les pièces fournies par DBI-SALA, comme l'indique la figure 2. Les composants doivent être assemblés sur le boulon dans l'ordre suivant : rondelle plate, support d'anneau en D, entretoise à épaulement, entretoise noire en plastique, manchon d'extension et écrou conique. Le support d'anneau en D doit pouvoir s'insérer sur l'entretoise à épaulement et tourner librement. Les deux languettes de l'entretoise en plastique doivent s'emboîter dans les fentes correspondantes sur le manchon d'extension, comme l'indique la figure 2. Ne pas allonger le connecteur d'ancrage à la main avant de procéder à l'installation.

1 Personne qualifiée : Une personne possédant un diplôme ou un certificat professionnel et une expérience approfondie en protection contre les chutes. Cette personne doit être en mesure de concevoir, d'analyser, d'évaluer et de spécifier des systèmes de protection contre les chutes.

5.0 INSPECTION

Une fois que le produit a été mis hors service, il ne peut pas être remis en service avant qu'une personne compétente confirme par écrit qu'il est acceptable de le faire.

5.1 FRÉQUENCE D'INSPECTION : Le produit doit être inspecté par une personne autorisée avant chaque utilisation, puis, en plus, par une personne compétente autre que l'utilisateur à un intervalle n'excédant pas une fois par année. Une fréquence d'utilisation de l'équipement plus élevée et des conditions plus difficiles peuvent nécessiter une augmentation de la fréquence des inspections par une personne compétente. La fréquence de ces inspections doit être déterminée par la personne compétente en fonction des conditions particulières du chantier.

5.2 PROCÉDURES D'INSPECTION : Inspecter ce produit selon les procédures énumérées dans le « *Journal d'inspection et d'entretien* ». Le propriétaire de cet équipement doit conserver la documentation de chaque inspection. Un journal d'inspection et d'entretien doit être placé à proximité du produit ou être facilement accessible aux utilisateurs. Il est recommandé d'indiquer la date de la prochaine ou de la dernière inspection sur le produit.

Le propriétaire de cet équipement peut définir d'autres critères d'inspection. Les autres critères de rechange doivent être égaux ou supérieurs à ceux établis par 3M dans le « *Journal d'inspection et d'entretien* » et dans les autres documents officiels.

5.3 DÉFAUTS : Si l'ancrage à boulon pour le béton ne peut pas être remis en service en raison d'un défaut existant ou d'une condition dangereuse, ou parce qu'il a été soumis à un arrêt de chute, détruire le produit ou communiquer avec 3M pour un remplacement ou une réparation possible.

5.4 DURÉE UTILE DU PRODUIT : La durée utile de l'ancrage à boulon pour le béton est déterminée par les conditions de travail et l'entretien. Tant que le produit satisfait aux critères d'inspection, il peut être utilisé.

6.0 ENTRETIEN, SERVICE et ENTREPOSAGE

L'équipement qui nécessite un entretien ou dont l'entretien est prévu doit porter une étiquette indiquant « NE PAS UTILISER ». Ces étiquettes ne doivent pas être retirées avant que l'entretien de l'équipement soit effectué.

6.1 NETTOYAGE : Nettoyer régulièrement les composants métalliques de l'ancrage à boulon pour le béton avec une brosse douce, de l'eau chaude et une solution savonneuse douce. Veiller à rincer les pièces minutieusement avec de l'eau propre.

6.2 SERVICE : Seules 3M ou les parties autorisées par écrit par 3M peuvent réparer cet équipement.

6.3 ENTREPOSAGE ET TRANSPORT : Lorsqu'il n'est pas utilisé, entreposer et transporter l'ancrage à boulon pour le béton avec l'équipement de protection contre les chutes connexe dans un endroit frais, sec et propre à l'abri de la lumière directe du soleil. Éviter les zones présentant des vapeurs chimiques. Procéder à un examen minutieux après un entreposage prolongé.

7.0 ÉTIQUETTES et MARQUAGES

7.1 ÉTIQUETTES : La figure 11 montre les étiquettes sur l'ancrage à boulon pour le béton. Si elles ne sont pas parfaitement lisibles ou si elles sont absentes, les étiquettes doivent être remplacées. Les informations apparaissant sur chaque étiquette sont les suivantes :

A	1) Site Web de l'entreprise 2) Spécifications du produit 3) Date de fabrication (année/mois) et numéro de lot 4) Numéro de modèle 5) Normes applicables 6) Énoncé de mise en garde
B	1) Matériaux 2) Capacité 3) Date de fabrication (année/mois) et numéro de lot 4) Numéro de modèle 5) Normes applicables 6) Énoncé de mise en garde
C	1) Procédure d'installation 2) Spécifications des trous de béton 3) Procédure d'inspection
D	1) Procédure d'installation 2) Spécifications des trous de béton 3) Procédure d'inspection

INFORMACIÓN DE SEGURIDAD

Lea, comprenda y acate toda la información de seguridad incluida en estas instrucciones antes de utilizar este sistema de conector de anclaje. **DE NO HACERLO, PUEDEN PRODUCIRSE LESIONES O LA MUERTE.**

Estas instrucciones deben entregarse a los usuarios de este equipo. Conserve todas las instrucciones para consultas futuras.

Uso pretendido:

Este conector de anclaje ha sido diseñado para utilizarse como parte de un sistema personal completo de protección contra caídas.

3M no aprueba su uso para ninguna otra aplicación, incluidas, entre otras, la manipulación de materiales, las actividades de recreación o relacionadas con el deporte, u otras actividades no descritas en las Instrucciones para el usuario, ya que podrían ocasionarse lesiones graves o la muerte.

Este dispositivo debe ser utilizado únicamente por usuarios capacitados para aplicaciones en el lugar de trabajo.



ADVERTENCIA

Este conector de anclaje forma parte de un sistema personal completo de protección contra caídas. Se prevé que todos los usuarios estén plenamente capacitados para instalar y utilizar con seguridad el sistema de protección contra caídas. **El uso incorrecto de este dispositivo puede ocasionar lesiones graves o la muerte.** Para su selección, funcionamiento, instalación, mantenimiento y reparación en forma adecuada, consulte las Instrucciones para el usuario y todas las recomendaciones del fabricante, consulte a un supervisor, o comuníquese con el Servicio Técnico de 3M.

- **Para reducir los riesgos asociados al trabajo con un conector de anclaje, que, de no evitarse, podrían ocasionar lesiones graves o la muerte:**
 - Inspeccione el dispositivo antes de cada uso, al menos una vez por año y después de una caída. La inspección se debe realizar de acuerdo con las Instrucciones para el usuario.
 - Si la inspección revela una condición insegura o defectuosa, retire el dispositivo de servicio, y repare o reemplácelo de acuerdo con las Instrucciones para el usuario.
 - Cualquier dispositivo que haya sido sometido a las fuerzas de detención de caídas o de impacto deberá retirarse inmediatamente del servicio y destruirse.
 - El dispositivo solo debe ser instalado en sustratos especificados o en estructuras detalladas en el Manual de instrucciones. Las instalaciones y el uso fuera del alcance de las instrucciones deben ser aprobados por 3M Fall Protection.
 - La superficie o la estructura a las que se conecta el conector de anclaje deben poder soportar las cargas estáticas especificadas para el anclaje en las orientaciones que se permiten en las Instrucciones para el usuario.
 - Solo conecte otros subsistemas de protección contra caídas al punto de conexión de anclaje designado en el dispositivo.
 - Antes de perforar o ajustar, asegúrese de que el taladro o el dispositivo no entrarán en contacto con líneas eléctricas, tuberías de gas u otros sistemas integrados fundamentales.
 - Asegúrese de que los sistemas y sistemas secundarios de protección contra caídas ensamblados con componentes hechos por diferentes fabricantes sean compatibles y cumplan con los requisitos de las normas vigentes, entre ellas ANSI Z359 u otros códigos, normas o requisitos vigentes de protección contra caídas. Consulte siempre a una persona calificada o competente antes de usar estos sistemas.
 - (ADAPTADORES DE CONEXIÓN) Asegúrese de que el dispositivo adaptador de conexión esté ajustado a la estructura del anclaje. Nunca deje la parte no utilizada de la cuerda en el dispositivo adaptador de conexión.
- **Para reducir los riesgos asociados con el trabajo en altura que, en caso de no evitarse, podrían ocasionar lesiones graves o muerte:**
 - Asegúrese de que su estado de salud y su condición física le permitan tolerar con seguridad todas las fuerzas asociadas con el trabajo en altura. Consulte a su médico si tiene dudas acerca de su capacidad para utilizar este equipo.
 - Nunca exceda la capacidad permitida del equipo de protección contra caídas.
 - Nunca exceda la distancia máxima de caída libre del equipo de protección contra caídas.
 - No utilice ningún equipo de protección contra caídas que no haya aprobado las inspecciones anteriores al uso u otras inspecciones programadas o si tiene inquietudes acerca del uso o de la idoneidad del equipo para su aplicación. Comuníquese con los Servicios Técnicos de 3M si tiene preguntas.
 - Algunas combinaciones de sistemas secundarios y componentes pueden interferir en el funcionamiento de este equipo. Utilice solamente conexiones compatibles. Consulte con 3M antes de utilizar este equipo junto con componentes o sistemas secundarios distintos de aquellos descritos en las Instrucciones para el usuario.
 - Tome precauciones adicionales al trabajar cerca de maquinaria en movimiento (por ejemplo, el sistema de propulsión superior de una torre petrolera), si hay riesgos eléctricos, temperaturas elevadas, peligros químicos, gases tóxicos o explosivos, bordes filosos o materiales elevados que pudieran caer sobre el equipo de protección contra caídas.
 - Utilice dispositivos Arc Flash o Hot Works cuando trabaje en ambientes con temperaturas elevadas.
 - Evite superficies y objetos que podrían lesionar al usuario o dañar el equipo.
 - Asegúrese de que haya una separación de caída adecuada al trabajar en alturas.
 - Nunca modifique ni altere el equipo de protección contra caídas. Solo 3M o las entidades autorizadas por escrito por 3M pueden hacer reparaciones en el equipo.
 - Antes de usar el equipo de protección contra caídas, asegúrese de que se haya implementado un plan de rescate que permita el rescate inmediato en caso de producirse un incidente de caída.
 - Si se produce un incidente de caída, busque atención médica de inmediato para la persona accidentada.
 - No utilice cinturones corporales para detención de caídas. Utilice únicamente un arnés de cuerpo entero.
 - Trabaje en un lugar situado lo más directamente posible por debajo del punto de anclaje para minimizar la posibilidad de caídas por balanceo.
 - Si está en capacitación con este equipo, debe utilizar un sistema secundario de protección contra caídas de forma tal que el aprendiz no esté expuesto a un riesgo de caída accidental.
 - Lleve puesto siempre un equipo de protección personal apropiado cuando instale, utilice o revise el dispositivo/sistema.

Antes de instalar y utilizar este equipo, anote la información de identificación del producto que figura en la etiqueta de identificación que se encuentra en el Registro de inspección y mantenimiento (Tabla 2), en la parte posterior de este manual.

Siempre asegúrese de estar utilizando la última versión de su manual de instrucciones de 3M. Visite el sitio web de 3M o comuníquese con el departamento de Servicios Técnicos de 3M para obtener manuales de instrucciones actualizados.

DESCRIPCIÓN DEL PRODUCTO:

La Figura 1 ilustra el anclaje con perno para hormigón 3M™ DBI-SALA™. El anclaje con perno para hormigón es un conector de anclaje de un solo punto para un sistema personal de detención de caídas diseñado para conectarse a una estructura de soporte. El anclaje con perno para hormigón también se puede usar como una terminación final para Sistemas de línea de vida horizontal tipo A conforme al estándar ANSI Z359.18 aprobados por 3M.

La Figura 2 ilustra los componentes del anclaje con perno para hormigón. Consulte las especificaciones de los componentes en la Tabla 1. El anclaje con perno para hormigón se compone de un perno (A) con una arandela plana (B), anillo en D (C) y soporte de anillo en D (D), espaciador con brida (E), espaciador de plástico (F) y manguito de expansión (G), así como una tuerca cónica (H) colocada en el perno.

Tabla 1 – Especificaciones

Especificaciones del sistema:	
Capacidad:	Una persona con un peso combinado (ropa, herramientas, etc.) de no más de 310 lb (140 kg) para el ANSI, o de 420 lb (191 kg) para la OSHA.
Estándares:	Consulte la Figura 1 para conocer las normas aplicables para cada modelo del producto. Los modelos certificados según el estándar ANSI Z359.18-2017 también se han probado de acuerdo con los requisitos del estándar ANSI Z359.7. <input checked="" type="checkbox"/> Las pruebas realizadas y el cumplimiento con el estándar ANSI cubren solo el producto y no se extienden a la estructura de anclaje ni al sustrato al que está unido el producto.
Resistencia del anclaje:	La estructura debe cumplir con los requisitos dimensionales de la Figura 9. La resistencia del anclaje debe cumplir con los requisitos de la Sección 2.1. <input checked="" type="checkbox"/> Si el usuario no puede determinar si el anclaje cumple con los requisitos del producto, debe buscar una persona calificada o un ingeniero profesional que pueda hacerlo o comunicarse con el departamento de Servicios Técnicos de 3M.
Temperatura de servicio:	-40 °C (-40 °F) Temperatura mínima de servicio
Resistencia mínima de ruptura:	5000 lbf (22,2 kN) Resistencia mínima de ruptura
Dimensiones:	Consulte la Figura 1 para obtener las dimensiones de cada modelo del producto.
Peso:	Modelos 2104560 y 2104568: 1.2 lb (0.55 kg)

Especificaciones de los componentes:

Referencia de la Figura 2	Componente	Materiales
(A)	Perno	Acero
(B)	Arandela plana	Acero
(C)	Anillo en D	Acero
(D)	Soporte del anillo en D	Acero inoxidable
(E)	Espaciador con brida	Acero
(F)	Espaciador de plástico	Plástico
(G)	Manguito de expansión	Acero
(H)	Tuerca cónica	Acero

Requisitos del orificio de hormigón (Consulte la Figura 9)

Espesor mínimo de hormigón: (h)	Distancia mínima desde el borde/ la esquina: (c)	Espaciado del orificio: (s)	Diámetro del orificio taladrado: (d)	Profundidad mínima del orificio: (y)	Resistencia mínima a la compresión del hormigón:
≥6.25 in (15.9 cm)	≥15.0 in (38.1 cm)	≥10.0 in (25.4 cm)	18 mm, 11/16 in o 3/4 in	≥4.13 in (10.5 cm)	≥3000 psi (20.7 MPa) completamente curado

Las brocas para taladrar orificios de montaje deben cumplir con los requisitos de ANSI.

1.0 APLICACIÓN DEL PRODUCTO

1.1 FINALIDAD: Los conectores de anclaje están diseñados para proporcionar puntos de conexión de anclaje para detención de caídas¹, Restricción de caídas², Posicionamiento de trabajo³ o de rescate⁴.

Solo protección contra caídas: Este conector de anclaje está diseñado para conectar el equipo de protección contra caídas. No conecte el equipo de elevación al conector de anclaje.

1.2 ESTÁNDARES: Su conector de anclaje cumple con las normas nacionales o regionales que se identifican en la cubierta frontal de estas instrucciones. Si este producto se revende fuera del país de destino original, el revendedor debe proporcionar estas instrucciones en el idioma del país en el que se usará el producto.

1.3 SUPERVISIÓN: Una persona competente debe supervisar el uso de este equipo⁵.

1.4 CAPACITACIÓN: La instalación y el uso de este equipo deben estar a cargo de personas capacitadas en su correcta aplicación. Este manual debe usarse como parte de un programa de capacitación de empleados tal como lo exigen los estándares nacionales, regionales o locales. El usuario y quienes instalen este equipo tienen la responsabilidad de familiarizarse con estas instrucciones, capacitarse en su cuidado y uso correctos, además de informarse sobre las características operativas, los límites de aplicación y las consecuencias de su uso incorrecto.

1.5 PLAN DE RESCATE: Al usar este equipo y conectar subsistemas, el empleador debe tener un plan de rescate y los medios disponibles para implementar y comunicar ese plan a los usuarios⁶, personas autorizadas⁷ y rescatistas⁸. Se recomienda la presencia de un equipo de rescate capacitado en el sitio. Los miembros del equipo deben contar con el equipo y las técnicas para realizar un rescate exitoso. Se debe proporcionar capacitación periódicamente para garantizar la competencia del rescatista.

1.6 DESPUÉS DE UNA CAÍDA: Si el producto está sujeto a la detención de caídas o la fuerza de impacto, retírelo del servicio inmediatamente. Etiquete claramente el producto con la inscripción "NO USAR". Consulte la Sección 5 para obtener más información.

2.0 REQUISITOS DEL SISTEMA

2.1 ANCLAJE: Los requisitos de la estructura de anclaje varían según la aplicación del sistema y si es un anclaje certificado⁹ o no certificado¹⁰. La estructura a la cual está conectado un sistema de detención de caídas, restricción, posicionamiento de trabajo o rescate debe sostener cargas estáticas aplicadas en las direcciones permitidas según se muestra en la siguiente tabla. Los requisitos de resistencia del anclaje, junto con las aplicaciones del sistema, se especifican a continuación, a menos que se indique o defina lo contrario en la Tabla 1:

Sistema de protección contra caídas	Anclaje certificado ⁹	Anclaje no certificado ¹⁰	Definido por
Detención de caídas	2 veces la fuerza de detención máxima	5000 lbf (22.2 kN)	OSHA, ANSI
Restricción/restricción del recorrido	2 veces la fuerza prevista	1000 lbf (4.4 kN) según ANSI 5000 lbf (22.2 kN) según OSHA	OSHA, ANSI
Posicionamiento para el trabajo	2 veces la fuerza prevista	3000 lbf (13.3 kN)	OSHA, ANSI
Rescate	5 veces la carga aplicada	3000 lbf (13.3 kN)	ANSI

Cuando se conecta a un anclaje más de un sistema, las resistencias mencionadas arriba deben multiplicarse por la cantidad de sistemas conectados al anclaje. Consulte ANSI Z359.2 para obtener más información.

2.2 SISTEMA PERSONAL DE DETENCIÓN DE CAÍDAS: La figura 1 ilustra la aplicación de este conector de anclaje. Los sistemas personales de detención de caídas utilizados con el sistema deben cumplir con las normas, los códigos y los requisitos correspondientes para la protección contra caídas. El PFAS debe incorporar un arnés de cuerpo completo y limitar la fuerza de detención a los siguientes valores:

	Fuerza de detención máxima	Caída libre
PFAS con eslingas amortiguadoras de impacto	1800 lbf (8 kN)	Consulte las instrucciones incluidas en su eslinga o dispositivo autorretráctil (SRD) para ver las limitaciones de caída libre.
PFAS con dispositivos autorretráctiles (SRD)	1800 lbf (8 kN)	

1 Sistema de detención de caídas: Una colección de equipos de protección contra caídas configurados para detener una caída libre. Protege al usuario en caso de caída. Se admite la caída libre hasta los límites permitidos por el dispositivo de conexión [ya sea eslinga con absorbedor de energía o un dispositivo autorretráctil (SRD)].

2 Sistema de restricción: Una colección de equipos de protección contra caídas configurados para evitar que el centro de gravedad de una persona llegue a un riesgo de caída. Impide que el usuario se acerque a un peligro. No se permite la caída libre vertical.

3 Sistema de posicionamiento de trabajo: Una colección de equipos de protección contra caídas configurados para soportar a un usuario en posición de trabajo. Debe incluir un sistema de respaldo personal de detención de caídas. La caída libre máxima permitida es de 2 pies.

4 Sistema de rescate: Una colección de equipos de protección contra caídas configurados para poner a una persona fuera de peligro, evitar lesiones o limitaciones de espacio y ubicarla en un lugar seguro. No se permite sistemas de caída libre vertical.

5 Persona competente: Alguien capaz de identificar peligros existentes y predecibles en los alrededores o condiciones de trabajo que son insalubres o peligrosas para los empleados, y que tiene autorización para tomar medidas correctivas rápidas para eliminarlos.

6 Usuario: Una persona que realiza actividades mientras está protegido por un sistema de protección contra caídas.

7 Persona autorizada: una persona designada por el empleador para que realice tareas en una ubicación en la que la persona estará expuesta a un riesgo de caída.

8 Rescatista: persona o personas que no sean el sujeto a rescatar y que actúan para realizar un rescate asistido mediante la operación de un sistema de rescate.

9 Anclaje certificado: Un anclaje para sistemas de rescate, detención de caídas, posicionamiento o restricción que una persona calificada certifica que cumple con los criterios para un anclaje certificado según la Sección 2.1.

10 Anclaje no certificado: Anclaje de detención de caídas que una persona competente puede calificar como capaz de soportar las fuerzas de anclaje predeterminadas enumeradas en la Sección 2.1.

- 2.3 TRAYECTORIA DE CAÍDA Y VELOCIDAD DE BLOQUEO DEL DISPOSITIVO AUTORRETRÁCTIL:** Se requiere una trayectoria despejada para asegurar que el SRD se bloquee. Se deben evitar situaciones donde la trayectoria de una posible caída presente obstrucciones. El hecho de trabajar en espacios muy confinados o restringidos podría no permitir que el cuerpo desarrolle una velocidad suficiente para que el SRD se bloquee si se produce una caída. Trabajar sobre materiales que se mueven lentamente, como por ejemplo, arena o granos, podría no permitir que se acumule una velocidad suficiente para que se bloquee el SRD.
- 2.4 RIESGOS:** El uso de este equipo en áreas en las que existen riesgos ambientales puede requerir precauciones adicionales para evitar lesiones al usuario o daños al equipo. Algunos de los peligros son, entre otros: calor, sustancias químicas, entornos corrosivos, líneas de alta tensión, gases explosivos o tóxicos, maquinaria en movimiento, bordes afilados o materiales ubicados sobre el nivel de la cabeza que podrían caer y entrar en contacto con el usuario o el sistema personal de detención de caídas.
- 2.5 ESPACIO LIBRE DE CAÍDA:** La Figura 3 muestra los componentes de una detención de caídas. Debe haber suficiente espacio libre de caída (FC) para detener una caída antes de que el usuario golpee contra el suelo u otra obstrucción. El espacio libre se ve afectado por una serie de factores que incluyen los siguientes: ubicación del anclaje, (A) longitud de la eslinga, (B) distancia de desaceleración de la eslinga o distancia de detención máxima del SRD, (C) tensión del arnés, y longitud y estabilización del anillo en D/conector. Consulte las instrucciones incluidas en su subsistema de detención de caídas para obtener información específica sobre el cálculo del espacio libre de caída.
- 2.6 CAÍDAS POR BALANCEO:** Las caídas por balanceo ocurren cuando el punto de anclaje no está directamente por encima del punto donde ocurre la caída (consulte la Figura 4). La fuerza del golpe contra un objeto en una caída por balanceo puede causar lesiones graves e, incluso, fatales. Trabaje en un lugar situado lo más directamente posible por debajo del punto de anclaje para minimizar la posibilidad de caídas por balanceo. No permita que ocurra una caída por balanceo si pudiera causar lesiones. Las caídas por balanceo incrementarán considerablemente el espacio libre necesario cuando se utiliza un dispositivo autorretráctil u otro sistema secundario de conexión con longitud variable.
- 2.7 COMPATIBILIDAD DE LOS COMPONENTES:** el equipo 3M está diseñado para usarse exclusivamente con los componentes y sistemas secundarios 3M aprobados. Las sustituciones o los reemplazos hechos con componentes y sistemas secundarios no aprobados pueden arriesgar la compatibilidad del equipo y pueden afectar la seguridad y confiabilidad de todo el sistema.
- 2.8 COMPATIBILIDAD DE LOS CONECTORES:** Se considera que los conectores son compatibles con los elementos de conexión cuando se han diseñado para trabajar juntos de tal manera que sus tamaños y formas no provoquen que sus mecanismos de hebilla se abran de manera involuntaria, independientemente de cómo se orienten. Póngase en contacto con 3M si tiene alguna pregunta sobre la compatibilidad.
- Los conectores (ganchos, mosquetones y anillos en D) deben tener capacidad para soportar al menos 22,2 kN (5,000 lbf). Los conectores deben ser compatibles con el anclaje u otros componentes del sistema. No utilice equipos que no sean compatibles. Los conectores no compatibles pueden desconectarse involuntariamente (consulte la Figura 5). Los conectores deben ser compatibles en cuanto a tamaño, forma y resistencia. Si el elemento de conexión al que se fija un gancho de seguridad o un mosquetón es más pequeño que lo debido o tiene una forma irregular, podría surgir una situación en la que el elemento de conexión aplicara una fuerza al cierre del gancho de seguridad o mosquetón (A). Esta fuerza puede hacer que se abra la hebilla (B), lo que permite que el mosquetón se desconecte del punto de conexión (C).
- Los ganchos de seguridad y mosquetones con cierre automático son reglamentarios según las normas ANSI Z359 y OSHA.
- 2.9 CÓMO HACER CONEXIONES:** Los mosquetones utilizados con este equipo deben ser de cierre automático. Asegúrese de que todas las conexiones sean compatibles en cuanto a tamaño, forma y resistencia. No utilice equipos que no sean compatibles. Asegúrese de que todos los conectores estén completamente cerrados y trabados.
- Los conectores de 3M (ganchos de seguridad y mosquetones) están diseñados para el uso exclusivo que se especifica en las instrucciones de uso de cada producto. Consulte la Figura 6 para ver ejemplos de conexiones inadecuadas. Los ganchos de seguridad y los mosquetones no deben conectarse de la siguiente forma:
- A un anillo en D al que esté conectado otro conector.
 - De manera tal que se produzca una carga sobre la hebilla. Los ganchos de seguridad de gargantas grandes no deben conectarse a anillos en D de tamaño estándar ni a objetos similares que puedan imponer una carga sobre la compuerta si el gancho o el anillo en D gira o se tuerce, a menos que el gancho de seguridad cumpla con el estándar y esté equipado con una compuerta de 16 kN (3,600 lbf). Examine la marca en el gancho de seguridad para verificar que sea apropiado para su aplicación.
 - En un enganche falso, donde los elementos que sobresalen del gancho de seguridad o el mosquetón se sujetan del anclaje y, a primera vista, parecería que estuvieran completamente enganchados al punto de anclaje.
 - Entre sí.
 - Directamente a una eslinga de cuerda o entretejido de seguridad, o eslinga para autoamarre (a menos que en las instrucciones del fabricante de la eslinga y del conector se permita expresamente esa conexión).
 - A ningún objeto cuya forma o dimensión sea tal que el gancho de seguridad o mosquetón quede sin cerrar o trabar o que pueda deslizarse.
 - De modo que impidan que el conector se alinee correctamente en condiciones de carga.

3.0 INSTALACIÓN

El propietario de este equipo puede contactar al departamento de Servicios Técnicos de 3M ante cualquier pregunta relacionada con la instalación, el uso o la inspección del equipo.

La instalación del anclaje con perno para hormigón DBI-SALA la debe realizar o supervisar una persona competente en el caso de anclajes no certificados. Una persona calificada¹ supervisará el diseño, la selección, la instalación, el uso y la inspección de anclajes certificados.

3.1 PLANIFICACIÓN: Planifique su sistema de protección contra caídas antes de la instalación del anclaje con perno para hormigón. Tenga en cuenta todos los factores que pueden afectar su seguridad antes, durante y después de una caída. Considere todos los requisitos, las limitaciones y las especificaciones que se definen en la Sección 2 y en la Tabla 1. Seleccione una ubicación de hormigón que esté libre de grietas u otros defectos que puedan afectar la resistencia de la estructura de hormigón.

3M pondrá a disposición, previa solicitud, la información necesaria para el diseño y la planificación de los sistemas.

3.2 INSTALACIÓN DEL ANCLAJE CON PERNO PARA HORMIGÓN: El anclaje con perno para hormigón puede instalarse en hormigón que cumpla con los requisitos de anclaje especificados en la Tabla 1. Consulte la Figura 7 para ver la carga adecuada del anclaje con perno para hormigón. La Figura 8 ilustra la instalación del anclaje con perno para hormigón. Para instalar el anclaje con perno para hormigón, realice lo siguiente:

1. Marque la ubicación para la colocación del anclaje con perno para hormigón. Observe la distancia mínima del borde y los requisitos de espaciado como se especifica en la Figura 9.
2. Utilice un martillo rotatorio y una broca de 18 mm, 11/16 in o 3/4 in para taladrar un orificio hasta una profundidad de 4 1/8 in (10.5 cm). Limpie el orificio con un soplador o aire comprimido. El orificio debe estar libre de residuos para que el anclaje con perno para hormigón desarrolle toda su resistencia.
3. Use un martillo para empujar el anclaje con perno para hormigón en el orificio. El anclaje con perno para hormigón debe asentarse firmemente contra el soporte del anillo en D. No expanda el perno de anclaje manualmente antes de la instalación.
4. Apriete el perno con una llave de 19 mm. Cuando se logre el par de torsión adecuado, la cabeza hexagonal roja se cortará y dejará colocada la porción plateada del espaciador. No se requiere una llave dinamométrica para la instalación. El espaciador plateado se debe retirar haciendo palanca con una barra plana o un destornillador, para dejar solo la cabeza hexagonal del perno de anclaje. El anclaje ahora está apretado correctamente, no es necesario realizar más ajustes.

No utilice un destornillador de impacto o un taladro para la instalación del anclaje con perno para hormigón. Solo se debe usar una llave para apretar el anclaje con perno para hormigón.

4.0 USO

4.1 ANTES DE CADA USO: Verifique que su área de trabajo y el sistema de protección contra caídas cumplan con todos los criterios definidos en estas instrucciones. Verifique que exista un plan de rescate formal. Inspeccione anclaje con perno para hormigón según los puntos de inspección del "Usuario" definidos en el "Registro de inspección y mantenimiento". Si la inspección revela una condición insegura o defectuosa, o si existe alguna duda sobre su condición para un uso seguro, retire el anclaje con perno para hormigón de servicio inmediatamente. Etiquete claramente el servicio con la inscripción "NO USAR". Consulte la Sección 5 para obtener más información.

4.2 CONEXIONES DE DETENCIÓN DE CAÍDAS: El anclaje con perno para hormigón está diseñado para su uso en varias aplicaciones. El conector cumple con el estándar ANSI Z359.18 Tipo A. Las aplicaciones del producto son las siguientes:

- **Conexión de un sistema de detención de caídas:** Arnés de cuerpo completo y subsistema de conexión, como un SRD o una eslinga con absorbedor de energía. Consulte la Figura 10.
- **Restricción:** Arnés de cuerpo completo y eslinga o línea de restricción. Consulte la Figura 10b.
- **Posicionamiento para el trabajo:** Arnés de cuerpo completo, eslinga de posicionamiento y un sistema de detención de caídas de respaldo. Consulte la Figura 10c.
- **Suspensión:** Arnés de cuerpo completo, silla o tabla de asiento de contra maestre y un sistema de detención de caídas de respaldo.
- **Sistema de rescate:** Configurado, dependiendo del tipo de rescate, a un anclaje.

4.3 EXTRACCIÓN: El anclaje con perno para hormigón puede extraerse aflojando el perno con una llave de 19 mm. Partes del perno del anclaje con perno para hormigón quedarán definitivamente dentro del orificio. Tras la extracción, el orificio debe llenarse con cemento blanco o sellador para impedir que sea reutilizado. El perno no puede reutilizarse y debe destruirse tras la extracción.

4.4 REUTILIZACIÓN: El espaciador con brida y los componentes del anillo en D pueden reutilizarse siempre que no hayan estado sometidos a una fuerza de caída. Los números de modelo del perno de repuesto se muestran en la Figura 1. Consulte la sección anterior para las instrucciones de extracción. Ensamble el anclaje con perno para hormigón utilizando las piezas suministradas por DBI-SALA como se ve en la Figura 2. Los componentes deben ensamblarse en el perno en el siguiente orden: arandela plana, soporte del anillo en D, espaciador con brida, espaciador de plástico negro, manguito de expansión y tuerca cónica. El soporte del anillo debe encajar en el espaciador con brida y poder rotar libremente. Dos pestañas en el separador de plástico deben encajar las ranuras correspondientes en el manguito de expansión como se ve en la Figura 2. No expanda el perno de anclaje manualmente antes de la instalación.

1 Persona calificada: Una persona con un título o certificado profesional reconocido y una amplia experiencia en la protección contra caídas. Esta persona debe ser capaz de realizar el diseño, el análisis, la evaluación y la especificación en protección contra caídas.

5.0 INSPECCIÓN

Una vez que el producto se haya retirado del servicio, no se lo podrá devolver al servicio hasta que una persona competente confirme por escrito que es aceptable hacerlo.

5.1 FRECUENCIA DE INSPECCIÓN: Una persona autorizada deberá inspeccionar el producto antes de cada uso y, además, deberá hacerlo una persona competente que no sea el usuario a intervalos de no más de un año. Una mayor frecuencia de uso del equipo y condiciones más severas pueden requerir aumentar la frecuencia de inspecciones por parte de la persona competente. La frecuencia de estas inspecciones la debe determinar la persona competente según las condiciones específicas del lugar de trabajo.

5.2 PROCEDIMIENTOS DE INSPECCIÓN: Inspeccione este producto según los procedimientos enumerados en el "Registro de inspección y mantenimiento". La documentación de cada inspección la debe conservar el propietario de este equipo. Se debe colocar un registro de inspección y mantenimiento cerca del producto o, de otra manera, que sea de fácil acceso para los usuarios. Se recomienda que el producto se marque con la fecha de la próxima o última inspección.

El propietario de este equipo puede establecer criterios de inspección alternativos. Los criterios alternativos deben ser iguales o superiores a los establecidos por 3M en el "Registro de inspección y mantenimiento" y otros documentos oficiales.

5.3 DEFECTOS: Si el anclaje con perno para hormigón no se puede devolver al servicio debido a un defecto existente o una condición insegura, o porque se lo ha sometido a una detención de caída, destruya el producto o comuníquese con 3M para un posible reemplazo o reparación.

5.4 VIDA ÚTIL DEL PRODUCTO: La vida funcional del anclaje con perno para hormigón está determinada por las condiciones de trabajo y mantenimiento. Siempre y cuando el producto supere los criterios de inspección, podrá permanecer en servicio.

6.0 MANTENIMIENTO, REPARACIÓN Y ALMACENAMIENTO

El equipo que necesita mantenimiento o programación para mantenimiento debe estar etiquetado con la inscripción "NO USAR". Estas etiquetas del equipo no se deben quitar hasta que se realice el mantenimiento.

6.1 LIMPIEZA: Limpie periódicamente los componentes metálicos del anclaje con perno para hormigón con una brocha suave, agua tibia y una solución jabonosa suave. Asegúrese de enjuagar bien las piezas con agua limpia.

6.2 SERVICIO TÉCNICO: Solo 3M o las entidades autorizadas por escrito por 3M pueden hacer reparaciones a este equipo.

6.3 ALMACENAMIENTO Y TRANSPORTE: Cuando no lo utilice, transporte y almacene el anclaje con perno para hormigón y el equipo de protección contra caídas asociado en un lugar fresco, seco y limpio, donde no quede expuesto a la luz solar directa. Evite los lugares donde pueda haber vapores de sustancias químicas. Inspeccione minuciosamente los componentes después de que haya estado almacenado por mucho tiempo.

7.0 ETIQUETAS y MARCAS

7.1 ETIQUETAS: La Figura 11 ilustra las etiquetas del anclaje con perno para hormigón. Las etiquetas deben reemplazarse si no se encuentran o no son completamente legibles. La información proporcionada en cada etiqueta es la siguiente:

A	<ol style="list-style-type: none">1) Sitio web de la empresa2) Especificaciones del producto3) Fabricado (año/mes) y número de lote4) Número de modelo5) Normas aplicables6) Declaración de advertencia
B	<ol style="list-style-type: none">1) Materiales2) Capacidad3) Fabricado (año/mes) y número de lote4) Número de modelo5) Normas aplicables6) Declaración de advertencia
C	<ol style="list-style-type: none">1) Procedimiento de instalación2) Especificaciones del orificio de hormigón3) Procedimiento de inspección
D	<ol style="list-style-type: none">1) Procedimiento de instalación2) Especificaciones del orificio de hormigón3) Procedimiento de inspección

**GLOBAL PRODUCT WARRANTY, LIMITED REMEDY
AND LIMITATION OF LIABILITY**

WARRANTY: THE FOLLOWING IS MADE IN LIEU OF ALL WARRANTIES OR CONDITIONS, EXPRESS OR IMPLIED, INCLUDING THE IMPLIED WARRANTIES OR CONDITIONS OF MERCHANTABILITY OR FITNESS FOR A PARTICULAR PURPOSE.

Unless otherwise provided by local laws, 3M fall protection products are warranted against factory defects in workmanship and materials for a period of one year from the date of installation or first use by the original owner.

LIMITED REMEDY: Upon written notice to 3M, 3M will repair or replace any product determined by 3M to have a factory defect in workmanship or materials. 3M reserves the right to require product be returned to its facility for evaluation of warranty claims. This warranty does not cover product damage due to wear, abuse, misuse, damage in transit, failure to maintain the product or other damage beyond 3M's control. 3M will be the sole judge of product condition and warranty options.

This warranty applies only to the original purchaser and is the only warranty applicable to 3M's fall protection products. Please contact 3M's customer service department in your region for assistance.

LIMITATION OF LIABILITY: TO THE EXTENT PERMITTED BY LOCAL LAWS, 3M IS NOT LIABLE FOR ANY INDIRECT, INCIDENTAL, SPECIAL OR CONSEQUENTIAL DAMAGES INCLUDING, BUT NOT LIMITED TO LOSS OF PROFITS, IN ANY WAY RELATED TO THE PRODUCTS REGARDLESS OF THE LEGAL THEORY ASSERTED.

**GARANTIE INTERNATIONALE DU PRODUIT, RECOURS LIMITÉ
ET LIMITATION DE RESPONSABILITÉ**

GARANTIE : CE QUI SUIT REMPLACE TOUTES LES GARANTIES OU CONDITIONS, EXPRESSES OU IMPLIQUES, Y COMPRIS LES GARANTIES OU LES CONDITIONS IMPLIQUES RELATIVES À LA QUALITÉ MARCHANDE ET À L'ADAPTATION À UN USAGE PARTICULIER.

Sauf disposition contraire de la loi, les produits de protection antichute 3M sont garantis contre tout défaut de fabrication en usine et de matériaux pour une période d'un (1) an à compter de la date d'installation ou de la première utilisation par le propriétaire initial.

RECOURS LIMITÉ : Moyennant un avis écrit à 3M, 3M réparera ou remplacera tout produit présentant un défaut de fabrication en usine ou de matériaux, tel que déterminé par 3M. 3M se réserve le droit d'exiger le retour du produit dans ses installations afin d'évaluer la réclamation de garantie. Cette garantie ne couvre pas les dommages au produit résultant de l'usure, d'un abus ou d'une mauvaise utilisation, les dommages subis pendant l'expédition, le manque d'entretien du produit ou d'autres dommages en dehors du contrôle de 3M. 3M jugera seul de l'état du produit et des options de garantie.

Cette garantie s'applique uniquement à l'acheteur initial et est la seule garantie applicable aux produits de protection antichute de 3M. Veuillez communiquer avec le service à la clientèle de 3M de votre région pour obtenir de l'aide.

LIMITATION DE RESPONSABILITÉ : DANS LES LIMITES PRÉVUES PAR LES LOIS LOCALES, 3M NE SERA TENU POUR RESPONSABLE DE TOUT DOMMAGE INDIRECT, ACCESSOIRE, SPÉCIFIQUE OU CONSÉCUTIF INCLUANT, SANS S'Y LIMITER, LA PERTE DE PROFIT, LIÉS DE QUELQUE MANIÈRE AUX PRODUITS, QUELLE QUE SOIT LA THÉORIE LÉGALE INVOQUÉE.

**GARANTÍA GLOBAL DEL PRODUCTO, REPARACIONES LIMITADAS
Y LIMITACIÓN DE RESPONSABILIDAD**

GARANTÍA: EL SIGUIENTE TEXTO SIRVE A MODO DE GARANTÍA O CONDICIÓN, EXPLÍCITA O IMPLÍCITA, E INCLUYE LAS GARANTÍAS O CONDICIONES IMPLÍCITAS DE COMERCIABILIDAD O APTITUD PARA UN PROPÓSITO ESPECÍFICO.

A menos que las leyes locales indiquen lo contrario, los productos de protección contra caídas 3M tienen garantía por defectos de fábrica en la mano de obra y en los materiales durante un período de un año desde la fecha de instalación o desde el primer uso del propietario original.

REPARACIONES LIMITADAS: 3M reparará o reemplazará un producto si determina que tiene un defecto de fábrica en la mano de obra o en los materiales y tras haber recibido una notificación por escrito sobre el presunto defecto. 3M se reserva el derecho de exigir la devolución del producto a sus instalaciones para evaluar los reclamos sobre la calidad. Esta garantía no cubre los daños ocasionados por el desgaste, el abuso, el mal mantenimiento, o como consecuencia del traslado del producto, u otros daños ajenos al control de 3M. 3M será el único capaz de determinar la condición del producto y las opciones de la garantía.

Esta garantía solo se aplica al comprador original y es la única garantía válida para los productos de protección contra caídas 3M. Comuníquese con el departamento de servicio al cliente de 3M de su región para obtener ayuda.

LIMITACIÓN DE RESPONSABILIDAD: EN LA MEDIDA PERMITIDA POR LAS LEYES LOCALES, 3M NO SERÁ RESPONSABLE DE LOS DAÑOS INDIRECTOS, IMPREVISTOS, ESPECIALES O CONSECUENTES; ENTRE ELLOS, LA PÉRDIDA DE INGRESOS RELACIONADOS DE CUALQUIER MANERA CON LOS PRODUCTOS, INDEPENDIEMENTE DE LA TEORÍA JURÍDICA QUE SE PUDIERA INVOCAR.



Fall Protection

USA

3833 SALA Way
Red Wing, MN 55066-5005
Toll Free: 800.328.6146
Phone: 651.388.8282
Fax: 651.388.5065
3Mfallprotection@mmm.com

Brazil

Rodovia Anhanguera, km 110
Sumaré - SP
CEP: 13181-900
Brasil
Phone: 0800-013-2333
falecoma3m@mmm.com

Mexico

Av. Santa Fe No. 190
Col. Santa Fe, Ciudad de Mexico
CP 01219, Mexico
Phone: 01 800 120 3636
3msaludocupacional@mmm.com

Canada

600 Edwards Blvd, Unit #2
Mississauga, ON L5T 2V7
Phone: 905.795.9333
Toll-Free: 800.387.7484
Fax: 888.387.7484
3Mfallprotection-ca@mmm.com

EMEA (Europe, Middle East, Africa)

EMEA Headquarters:
Le Broc Center
Z.I. 1re Avenue - BP15
06511 Carros Le Broc Cedex
France
Phone: + 33 04 97 10 00 10
Fax: + 33 04 93 08 79 70
informationfallprotection@mmm.com

Australia & New Zealand

137 McCredie Road
Guildford
Sydney, NSW, 2161
Australia
Toll-Free : 1800 245 002 (AUS)
Toll-Free : 0800 212 505 (NZ)
3msafetyaucs@mmm.com

Asia

Singapore:
1 Yishun Avenue 7
Singapore 768923
Phone: +65-6450 8888
Fax: +65-6552 2113
TotalFallProtection@mmm.com

China:

38/F, Maxdo Center, 8 Xing Yi Rd
Shanghai 200336, P R China
Phone: +86 21 62753535
Fax: +86 21 52906521
3MFallProtecton-CN@mmm.com

Korea:

3M Koread Ltd
20F, 82, Uisadang-daero,
Yeongdeungpo-gu, Seoul
Phone: +82-80-033-4114
Fax: +82-2-3771-4271
TotalFallProtection@mmm.com

Japan:

3M Japan Ltd
6-7-29, Kitashinagawa, Shinagawa-ku, Tokyo
Phone: +81-570-011-321
Fax: +81-3-6409-5818
psd.jp@mmm.com

WEBSITE:
3M.com/FallProtection



EU DECLARATION OF CONFORMITY:
3M.com/FallProtection/DOC