



User Instruction Manual Leading Edge Tripod Anchor

This manual is provided as the Manufacturer's Instructions, and should be used as part of an employee training program as required by OSHA.

DESCRIPTION

Leading Edge Tripod Anchor: Leading Edge Tripod Anchor: Includes tripod base, swivel head, ratchet buckle, and web assembly. The swivel head is designed for installation of a DBI/SALA Ultra-Lok® model self retracting lifeline (SRL). The tripod base allows installation to a precast concrete anchorage, such as a lifting eye. See Figure 1.

WARNING: This product is part of a personal fall arrest system (PFAS). The users must read and follow the manufacturer's instructions for each component of the system. These instructions must be provided to the users of this equipment. The users must read and understand these instructions or have them explained to them before using this equipment. Manufacturer's instructions must be followed for proper use, care and maintenance of this product. Alterations or misuse of this product or failure to follow instructions, may result in serious injury or death.

IMPORTANT: If you have questions on the use, care, or suitability for use of this equipment, contact DBI/SALA immediately. This instruction manual is intended to be used in conjunction with the instruction manuals supplied with each system component mentioned below if applicable. If an instruction was not supplied with the purchase of that component, contact DBI/SALA immediately.

1.0 APPLICATION

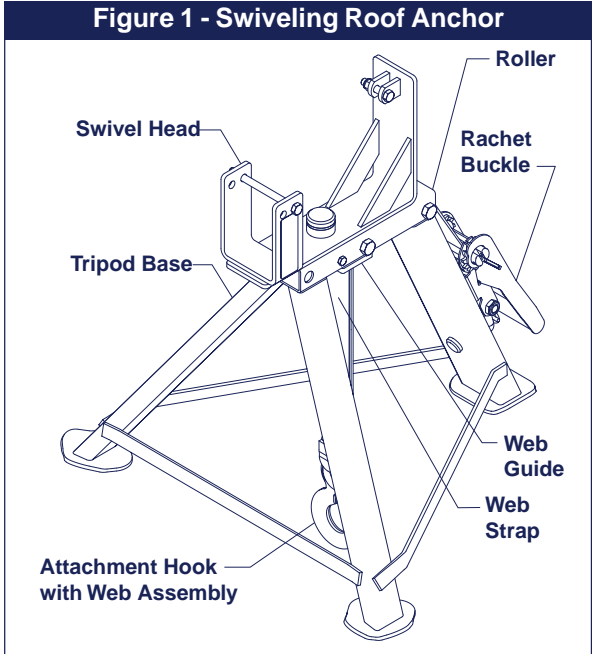
1.1 PURPOSE: The DBI/SALA leading edge tripod anchor is designed to be used as a temporarily installed anchorage connector on concrete structures. This anchorage connector may be used as part of a personal fall arrest system (PFAS). This tripod anchor is designed for use with the DBI/SALA Ultra-Lok® SRL (specifically model 3504500 or model series 3504430 and 3504450), DBI/SALA Sayflin Synthetic HLL System (models 7600502 to 7600510) and Wire Rope Sayflin (models 7602030 through 7602100). Do not hang, lift or support tools or equipment from these tripod anchors or attach guy lines for antennas, phone lines, etc.

1.2 LIMITATIONS: The following application limitations must be recognized and considered before using this product (also reference the manufacturer's instruction supplied with each system component):

A. STRUCTURE: This anchorage connector is intended to be installed on concrete structures. The structure must be capable of meeting the anchorage strength requirements as set forth in section 2.4. Consult DBI/SALA before using this tripod anchor on any other applications.

B. CAPACITY: This anchorage connector is designed for use by persons with a combined weight (person, clothing, tools, etc.) of no more than 310 lbs. Only one personal fall arrest system (PFAS) may be connected to the anchorage connector at a time.

C. PERSONAL FALL ARREST SYSTEM: This swiveling tripod anchor is designed to be used in conjunction with the DBI/SALA Ultra-Lok® SRL model 3504500 and may also be used with 3504430 and 3504450. Other



PFAS's used with this tripod anchor must meet applicable OSHA, state, federal and ANSI requirements. PFAS's incorporating a full body harness must be capable of arresting a worker's fall with a maximum arresting force of no greater than 1,800 lbs. (900 lbs. maximum arresting force where used with a Sayflite Horizontal Lifeline System) and limit the free fall distance to 6 ft. or less. The deceleration distance for a PFAS must be 42 inches (1.1 m) or less. Reference ANSI Z359.1, ANSI A10.14 and OSHA requirements.

- D. LOCKING SPEED OF SRL:** Situations which do not allow for an unobstructed fall path should be avoided. Working in very confined or cramped spaces may not allow the body to reach sufficient speed to cause the SRL to lock should a fall occur. Working on slowly shifting material such as loose shingles may not allow enough speed build-up to cause the SRL to lock. A similar situation may occur on low pitched roofs where a worker may slide instead of fall. A clear path is needed to assure positive locking of the SRL.
- E. CORROSION:** Use near sea water or other corrosive environments may require more frequent inspections or servicing (replacement) to assure corrosion damage is not affecting the performance of the product.
- F. CHEMICAL HAZARDS:** Solutions containing acids, alkali, or other caustic chemicals, especially at elevated temperatures may cause damage to this equipment. Consult DBI/SALA if doubts exist concerning installing this equipment where chemical hazards are present.
- G. ELECTRICAL HAZARDS:** Do not install the tripod anchor where it or the user may come into contact with electrical power lines.
- H. TRAINING:** This equipment must be installed and used by persons who have been properly trained in its correct application and use. Installation and use of this equipment must be supervised by a qualified person, as defined by OSHA fall protection standards.
- I. SHARP EDGES:** Avoid working where the lifeline will be in contact with or abrade against unprotected sharp edges.

- 1.3** Refer to national consensus (including ANSI Z359.1 and ANSI A10.14), applicable local, state, and federal (OSHA) requirements governing this equipment for more information on anchorage connectors, and associated system components.

2.0 SYSTEM REQUIREMENTS

- 2.1 COMPATIBILITY OF COMPONENTS:** DBI/SALA equipment is designed for use with DBI/SALA approved components and subsystems only. Substitutions or replacements made with non-approved components or subsystems may jeopardize compatibility of equipment and may affect the safety and reliability of the complete system.
- 2.2 COMPATIBILITY OF CONNECTORS:** Connectors are considered to be compatible with connecting elements when they have been designed to work together in such a way that their sizes and shapes do not cause their gate mechanisms to inadvertently open regardless of how they become oriented. Contact DBI/SALA if you have any questions about compatibility.

Connectors (hooks, carabiners, and D-rings) must be capable of supporting at least 5,000 lbs. (22 kN). Connectors must be compatible with the anchorage or other system components. Do not use equipment that is not compatible. Non-compatible connectors may unintentionally disengage. See Figure 2. Connectors must be compatible in size, shape, and strength. Self locking snap hooks and carabiners are required by ANSI Z359.1 and OSHA.

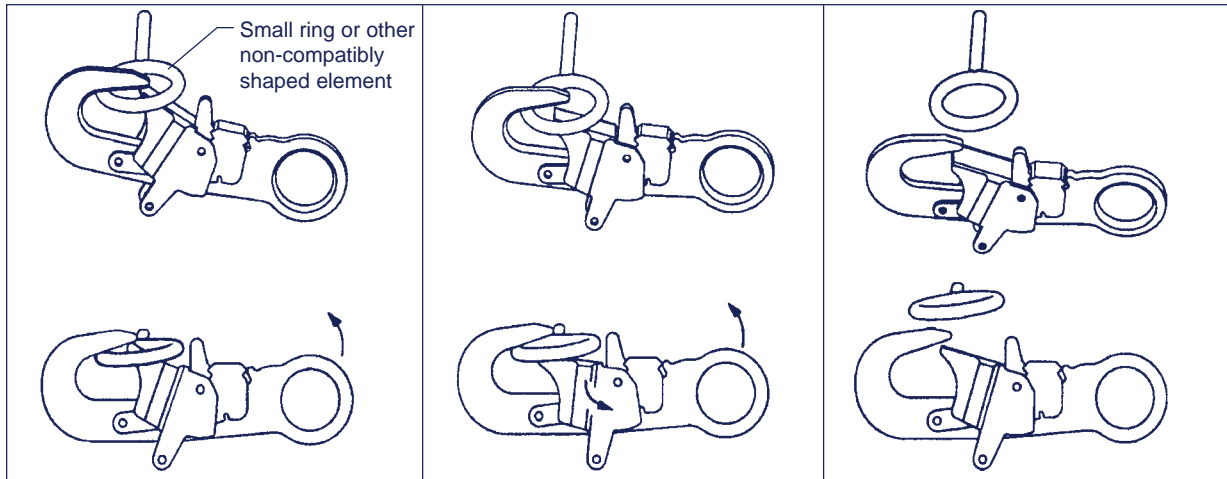
- 2.3 MAKING CONNECTIONS:** Only use self-locking snap hooks and carabiners with this equipment. Only use connectors that are suitable to each application. Ensure all connections are compatible in size, shape and strength. Do not use equipment that is not compatible. Ensure all connectors are fully closed and locked.

DBI/SALA connectors (snap hooks and carabiners) are designed to be used only as specified in each product's user's instructions. See Figure 3 for inappropriate connections. DBI/SALA snap hooks and carabiners should not be connected:

- A.** To a D-ring to which another connector is attached.
- B.** In a manner that would result in a load on the gate.

Figure 2 - Unintentional Disengagement (Roll-out)

If the connecting element that a snap hook (shown) or carabiner attaches to is undersized or irregular in shape, a situation could occur where the connecting element applies a force to the gate of the snap hook or carabiner. This force may cause the gate (of either a self-locking or a non-locking snap hook) to open, allowing the snap hook or carabiner to disengage from the connecting point.



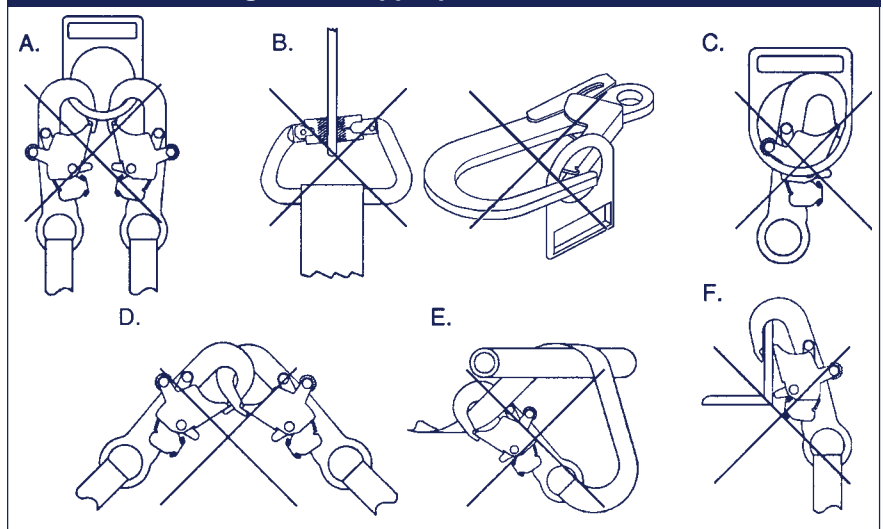
1. Force is applied to the snap hook.

2. The gate presses against the connecting ring.

3. The gate opens allowing the snap hook to slip off.

NOTE: Large throat opening snap hooks should not be connected to standard size D-rings or similar objects which will result in a load on the gate if the hook or D-ring twists or rotates. Large throat snap hooks are designed for use on fixed structural elements such as rebar or cross members that are not shaped in a way that can capture the gate of the hook.

Figure 3 - Inappropriate Connections



C. In a false engagement, where features that protrude from the snap hook or carabiner catch on the anchor and without visual confirmation seems to be fully engaged to the anchor point.

D. To each other.

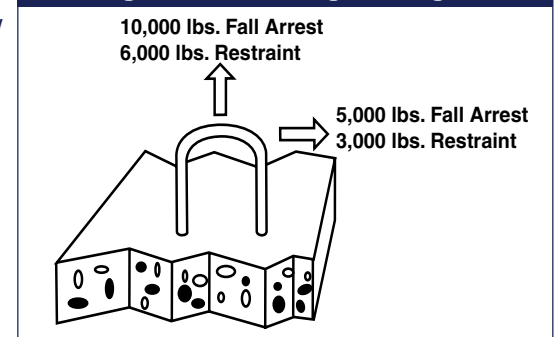
E. Directly to webbing or rope lanyard or tie-back (unless the manufacturer's instructions for both the lanyard and connector specifically allows such a connection).

F. To any object which is shaped or dimensioned such that the snap hook or carabiner will not close and lock, or that roll-out could occur.

2.4 ANCHORAGE STRENGTH: The anchorage to which the tripod anchor is installed must meet minimum strength(s) as given below for the applications selected:

FALL ARREST: The loads applied to the tripod anchor from personal fall arrest systems are magnified by the design of the tripod anchor, therefore the ANSI Z359.1 required minimums are not appropriate. The leading edge tripod requires anchorages that are able to support 10,000 lbs in a vertical direction and 5,000 lbs horizontally for fall arrest applications. See Figure 4.

Figure 4 - Anchorage Strength



RESTRAINT: The loads applied to the tripod anchor from personal fall arrest systems are magnified by the design of the tripod anchor, therefore the ANSI Z359.1 required minimums are not appropriate. The leading edge tripod requires anchorages that are able to support 6,000 lbs for restraint applications. See Figure 4.

Anchorage used for attachment of personal fall arrest systems (PFAS) shall be independent of any anchorage being used to support or suspend platforms.

3.0 OPERATION AND USAGE

WARNING: Do not alter or intentionally misuse this equipment. Consult with DBI/SALA if using this equipment in combination with components or subsystems other than those described in this manual. Some subsystems and components combinations may interfere with the proper operation of this equipment.

WARNING: Consult your doctor if there is reason to doubt your fitness to safely absorb the shock from a fall arrest. Age and fitness seriously affect a worker's ability to withstand falls. Pregnant women and minors must not use this equipment.

3.1 BEFORE EACH USE of this equipment, carefully inspect it to assure that it is in serviceable condition. Check for worn or damaged parts. Ensure the tripod anchor is secure and not distorted. Inspect for sharp edges, burrs, cracks, or corrosion. Inspect the web assembly: ensure the hook is not distorted or has any sharp edges, burrs, cracks, or corrosion; inspect the webbing for wear, cuts, burns, frayed edges, breaks, or other damage. Inspect other fall arrest equipment in accordance with the manufacturer's instructions supplied with each system component. Refer to section 5.0 for further inspection details. Do not use if inspection reveals an unsafe condition.

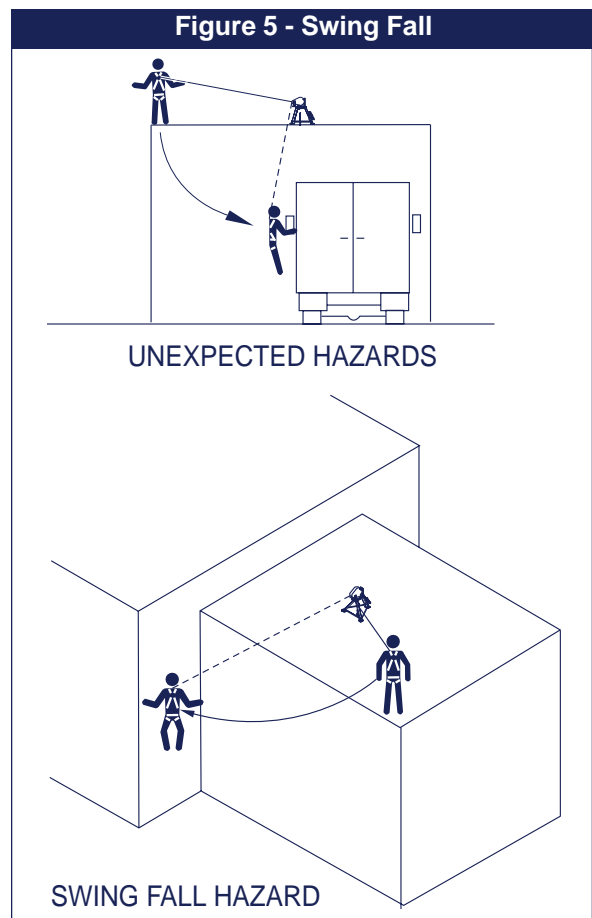
3.2 PLAN your fall arrest system before starting your work. Take into consideration factors affecting your safety at any time during use. The following list gives some important points you must consider when planning your system:

A. ANCHORAGE: Select an anchorage point that is rigid and capable of supporting the required loads. See section 2.4. Locate the tripod anchor in accordance with section 3.3.

B. OTHER CONSIDERATIONS: Personal fall arrest systems must be rigged to limit any free fall to a maximum of 6 feet (OSHA and ANSI Z359.1) or 5 feet (ANSI A10.14). Avoid working above your anchorage level since an increased free fall distance will result. Avoid working where your line may cross or tangle with that of another worker or another object. Do not allow the lifeline to pass under arms or between legs. Never clamp, knot or otherwise prevent the lifeline from retracting or being taut, avoid slack line. **Do not lengthen the SRL by connecting a lanyard or similar component without consulting DBI/SALA.**

C. TOTAL FALL DISTANCE: Should a fall occur, there must be sufficient clearance in the fall area to arrest the fall before striking the ground or other object. The total fall distance is the distance measured from the onset of a fall to the point where the fall is arrested. A number of factors can influence the total fall distance including; user's weight, anchorage location relative to the fall (swing fall), body support with sliding D-ring, and the type of fall arrest equipment you attach to the tripod anchor. For specific clearance requirements read and follow the manufacturer's instructions for your subsystem fall arrest equipment.

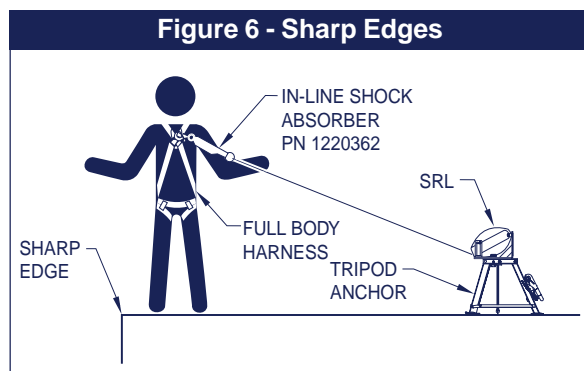
D. SWING FALLS: See Figure 5. Swing falls occur when the anchorage point is not directly above the point where a fall occurs. The force of striking an object while swinging (horizontal speed of the user due to the pendulum affect) can be great and may cause serious injury. Swing falls can be minimized by working as directly below the anchorage point as possible. In a swing fall situation, the total vertical fall distance of the user will be greater than if the user had



fallen vertically directly below the anchorage point. The user must therefore account for an increase in the total free fall distance and the area needed to safely arrest the fall.

The SRL will activate (lock-up) regardless of its orientation and location relative to the user's position. Do not captivate the lifeline of an SRL, it may affect the performance of its braking. If a swing fall hazard exists in your application, contact DBI/SALA before proceeding.

E. SHARP EDGES: Avoid working where the connecting subsystem (i.e. SRL, full body harness, lanyard, lifeline, etc.) or other system components will be in contact with, or abrade against unprotected sharp edges. See Figure 6. If working with this equipment near sharp edges is unavoidable, protection against cutting must be provided by using a heavy pad or other means over the exposed sharp edge. If you are not using the Leading Edge SRL (PN 3504500), it is recommended that an energy absorber (PN 1220362) be installed in-line between the harness and the self retracting lifeline to further protect the worker. Compatibility and total fall distance issues must be considered if this is done. Contact DBI/SALA before using in-line energy absorbing components or lanyards with self retracting lifelines.

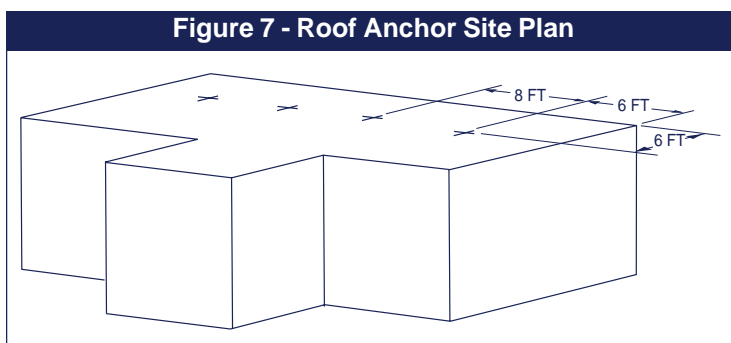


F. RESCUE: Should a fall occur, the user (employer) must have a rescue plan and the means at hand to implement it.

G. AFTER A FALL: Any equipment which has been subjected to the forces of arresting a fall must be removed from service immediately and destroyed or contact a factory authorized service center for repair.

3.3 INSTALLATION REQUIREMENTS:

TRIPOD ANCHOR SITE PLAN: Before starting the roof construction, a plan should be established as to where the tripod anchor(s) will be installed and when, during the construction process, they may be used. See Figure 7. The following are guide lines on locating tripod anchors:



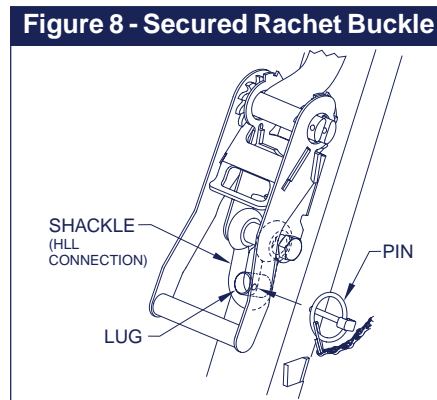
- The tripod anchor is for use in an upright position on a horizontal surface only.
- The tripod anchor should be located at least 6 ft. away from any leading edge. On very small roof areas, locate the tripod anchor as far from the leading edge as possible.
- Do not leave the tripod anchor permanently installed. The tripod anchor is designed for temporary use only.

3.4 TRIPOD ANCHOR INSTALLATION: Tripod anchors must be installed in accordance with the previously discussed site plan. Site work rules must be followed regarding when an installed tripod anchor is ready for use (i.e. properly braced, etc.).

Position the Tripod anchor over an anchorage capable of withstanding the loads given in section 2.4.

Ensure the shackle attached to the ratchet buckle is positioned over the lug, and the pin is in place. See Figure 8.

The ratchet strap must pass through the black plastic web guide built into the tripod and over the roller as the strap exits the top member of the tripod. See Figure 1. The strap must also pass through the center of the ratchet buckle hub. To release the ratchet strap, pull the lever on the ratchet handle and move the ratchet buckle handle to the "full up" position. See Figure 9.



Pull out as much of the strap as necessary to connect the hook to the anchorage. Ensure the latch on the hook fully closes over the anchorage. Do not use on anchorages that load only the tip of the hook or side load the hook. Do not use on anchorages that prevent the hook latch from closing. The tripod must straddle the anchor, i.e., the anchor must be inside the tripod legs. See Figure 10. The diameter of the anchorage cross section must be less than 1 inch.

To remove slack in the ratchet strap, pull the lever on the ratchet handle and rotate the handle downward. After the handle is out of the locked position, release the lever and continue to rotate the handle down. The ratchet mechanism will allow the handle to take up more slack with each upward rotation. Continue the ratchet movement until the strap is taut. Lock the ratchet strap by returning to the ratchet buckle handle to the full down position before use. Figure 9 shows the ratchet buckle in the full down working position. Ensure the ratchet buckle remains in the full down working position during use.

A. INSTALLING THE SRL: The SRL mounts to the swiveling tripod anchor with two 3/8 inch bolts and nylon insert nuts. See Figure 11. Use the SRL according to the manufacturer's instructions included with the SRL.

B. REMOVAL OF THE TRIPOD ANCHOR: The tripod anchor is a temporary anchor. To remove it, pull the lever on the ratchet handle and rotate the handle to the full up position. See Figure 10. When the lever is released it will snap into a locked position. The center hub will rotate freely then and the ratchet strap may be pulled out to create enough slack for the hook to be removed from the anchor.

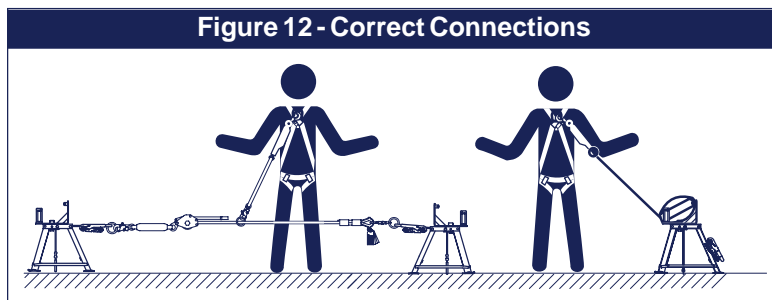
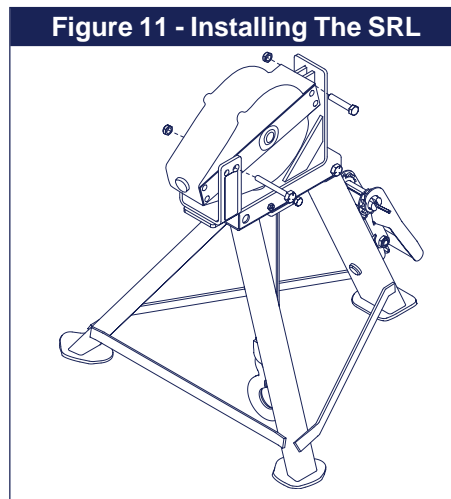
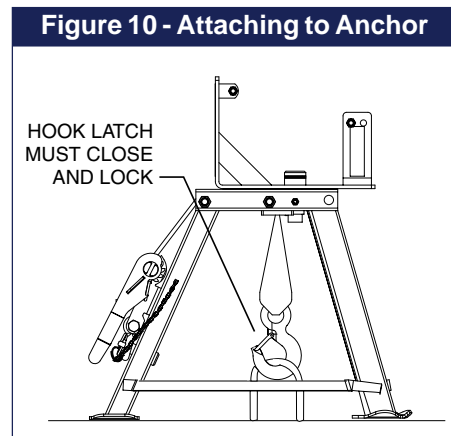
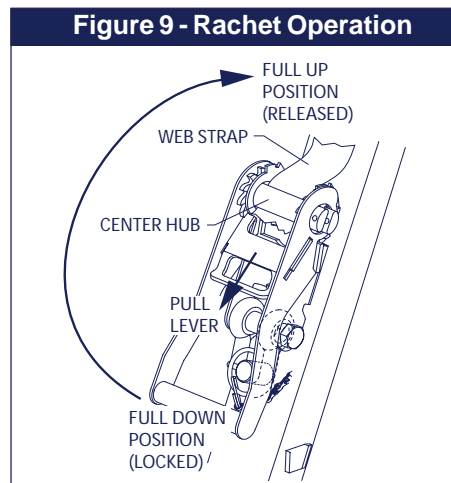
3.5 BODY SUPPORT: When using the DBI/SALA leading edge tripod anchor, it is recommended that a full body harness be worn. For general fall protection use, connect to the D-ring on the back between the shoulders (dorsal D-ring).

IMPORTANT: Body belts are not allowed for free fall situations. Body belts increase the risk of injury during fall arrest in comparison to a full body harness. Limited suspension time and the potential for improperly wearing a body belt may result in added danger to the user's health.

3.6 CONNECTING TO THE TRIPOD ANCHOR: Figure 12 illustrates the proper connection of typical fall arrest equipment to the tripod anchor. Always protect the lifeline from abrading against sharp or abrasive surfaces on the roof. Make sure all the connections are compatible in size, shape and strength. Never connect more than one personal protective system to any single tripod anchor at a time. The tripod anchor may be used with an SRL or alternately with an HLL, but may not be used with both simultaneously

SRL: Connection to the installed tripod anchor is made by attaching the self locking snap hook at the end of the Ultra-Lok's® lifeline to the back dorsal D-ring (fall arrest attachment point) of the user's body support (i.e. full body harness). When connecting, make sure the connecting hook is fully closed and locked. Review section 3.2 if using an SRL near sharp edges.

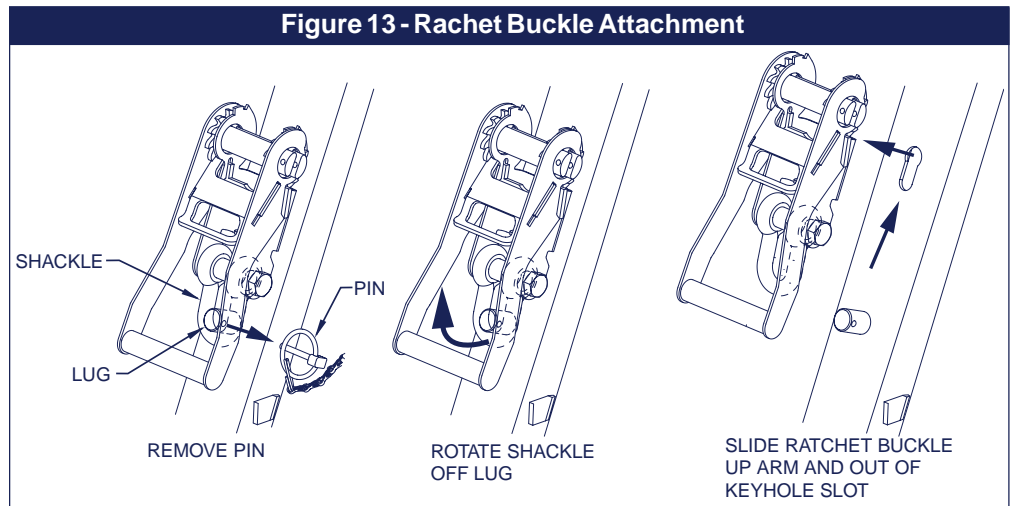
HORIZONTAL LIFELINE (HLL) SYSTEM: The swiveling tripod anchor can be used as an end anchor for DBI/SALA Sayflite Synthetic HLL Systems (models 7600502 to 7600510) and Sayflite Wire Rope HLL Systems



(7602030 to 7602100). This system utilizes energy absorbers to limit end loads to a maximum of 1800 lbs. or 2500 lbs. See the manufacturer's instructions for the HLL System for more information. (Contact DBI/SALA for more information on Sayflite HLL systems.) If someone is attached to an HLL between two tripods, no one is allowed to attach to an SRL on either of the tripods supporting that HLL.

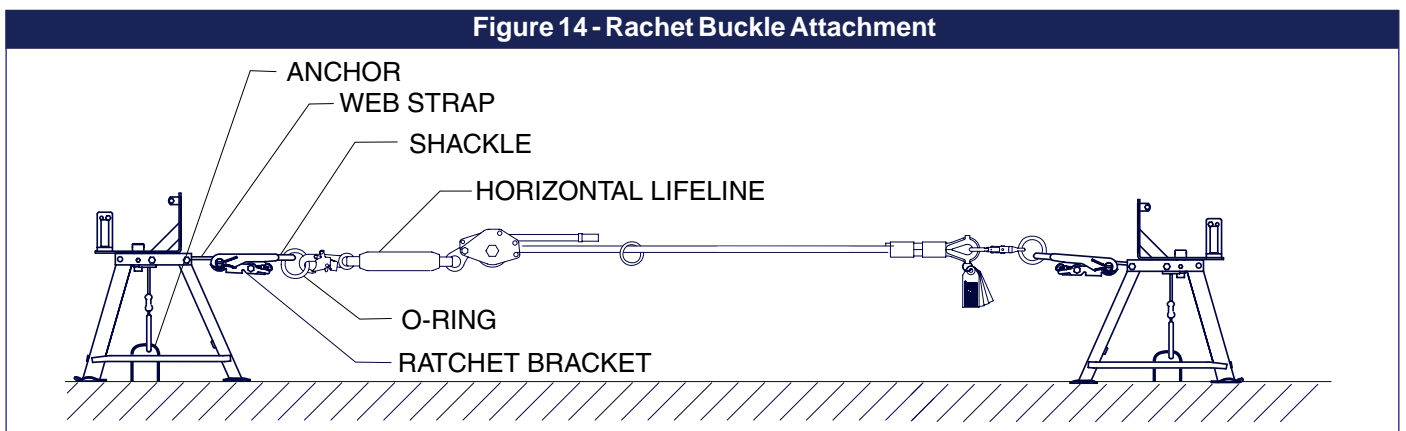
Place two Tripod Anchors over anchorages capable of withstanding the loads given in section 2.4 and a maximum of 60 ft. apart. Position each tripod anchor so that the leg with the ratchet buckle faces directly toward the other tripod anchor. Pull out as much of the strap as necessary to connect the hook to the anchorage. Connect the hook on the end of the ratchet strap to the anchorage. Ensure the latch on the hook fully closes over the anchorage. Do not use the tripod anchor on anchorages that load only the tip of the hook or that side load the hook. Do not use on anchorages that prevent the latch from closing. The diameter of the anchorage cross section must be less than 1 inch.

The ratchet buckle is used as the tensioning device for the Horizontal lifeline (HLL). Remove the ratchet buckle from the tripod leg by first removing the pin holding the shackle. Then, rotate the shackle until it clears the lug. Next, slide the ratchet buckle up the leg and pull the ratchet buckle out of the keyhole slot. See Figure 13. To replace the ratchet buckle, reverse this procedure. Ensure the shackle attached to the ratchet buckle is positioned over the lug, and the pin is in place.



Connect the HLL system to the shackle attached to the ratchet buckle following the manufacturer's instructions supplied with the HLL. When the HLL is secured to each of the tripod anchors, tension the HLL by operating one or both of the ratchets. See Figure 14. Tighten the HLL until the line has the appropriate amount of sag as described in the HLL User's Manual. The ratchet buckle handle must be rotated to the full down position while the HLL is in use. Refer to Figure 9.

Connect to the HLL and use it following the manufacturer's instructions provided with the HLL. This HLL installation is not a permanent installation. When the HLL is no longer needed, it must be removed.



3.7 FALL CLEARANCE: The Tripod Anchor HLL installation requires greater fall clearance than most other HLL installations. DBI/SALA recommends that the Tripod Anchor HLL be used in restraint applications only because of the greater clearance required. See Tables 1 and 2 for clearance requirements for shock absorbing lanyard applications. See Tables 3 and 4 for clearance requirements for Self Retracting Lifeline (SRL) applications.

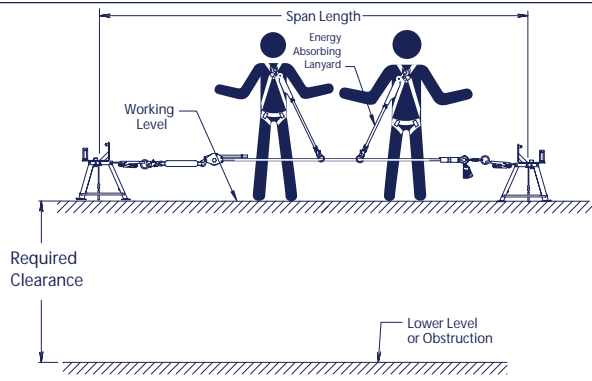


TABLE 1

Required Clearance for One or Two Workers Connected to DBI/SALA Sayflite Synthetic HLL System (Models 7600505 to 7600510) with DBI/SALA Energy Absorbing Lanyards

Span Length (in feet)	Required Clearance
0 to 10	16 ft. 11 in.
10 - 15	18 ft. 6 in.
15 - 20	20 ft. 0 in.
20 - 25	21 ft. 5 in.
25 - 30	22 ft. 9 in.
30 - 35	24 ft. 5 in.
35 - 40	25 ft. 11 in.
40 - 45	27 ft. 4 in.
45 - 50	28 ft. 8 in.
50 - 55	30 ft. 1 in.
55 - 60	31 ft. 6 in.

IMPORTANT: Clearance values are given from the working level to the next lower level or obstruction, assuming a 6 ft. free fall. If the Leading Edge Tripod Anchor HLL is located at the leading edge, the maximum energy absorbing lanyard length is 4 ft. Longer lanyards may be used if the Tripod Anchor HLL is located some distance from the leading edge, but the system must be rigged to limit any free fall to a maximum of 6 ft.

TABLE 2

Required Clearance for One or Two Workers Connected to DBI/SALA Sayflite Wire Rope System (Models 7602030 to 7602100) with DBI/SALA Energy Absorbing Lanyards

Span Length (in feet)	Required Clearance
0 to 10	15 ft. 5 in.
10 - 15	16 ft. 8 in.
15 - 20	17 ft. 9 in.
20 - 25	19 ft. 0 in.
25 - 30	19 ft. 11 in.
30 - 35	21 ft. 0 in.
35 - 40	22 ft. 0 in.
40 - 45	23 ft. 0 in.
45 - 50	23 ft. 10 in.
50 - 55	24 ft. 11 in.
55 - 60	25 ft. 10 in.

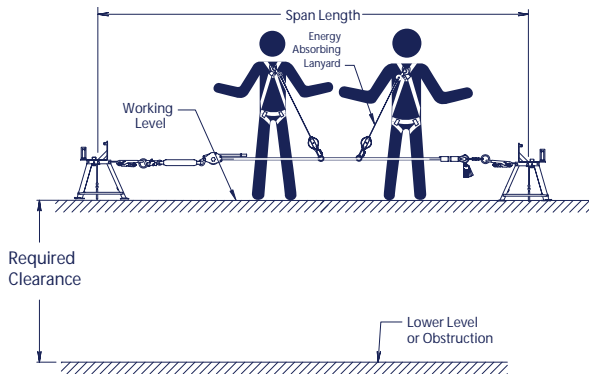


TABLE 3

Required Clearance for One or Two Workers Connected to DBI/SALA Sayflite Synthetic HLL System (Models 7600505 to 7600510) with DBI/SALA Self Retracting Lifelines

Span Length (in feet)	Required Clearance
0 to 10	16 ft. 5 in.
10 - 15	17 ft. 8 in.
15 - 20	18 ft. 10 in.
20 - 25	19 ft. 11 in.
25 - 30	20 ft. 11 in.
30 - 35	22 ft. 0 in.
35 - 40	22 ft. 11 in.
40 - 45	24 ft. 8 in.
45 - 50	26 ft. 3 in.
50 - 55	28 ft. 0 in.
55 - 60	29 ft. 7 in.

IMPORTANT: Clearance values are given from the working level to the next lower level or obstruction, assuming a 6 ft. free fall. DBI/SALA recommends that an energy absorber (PN 1220362) be installed in-line between the harness and the self retracting lifeline to further protect the worker.

TABLE 4

Required Clearance for One or Two Workers Connected to DBI/SALA Sayflite Wire Rope HLL System (Models 7602030 to 7602100) with DBI/SALA Self Retracting Lifelines

Span Length (in feet)	Required Clearance
0 to 10	14 ft. 5 in.
10 - 15	15 ft. 6 in.
15 - 20	16 ft. 7 in.
20 - 25	17 ft. 7 in.
25 - 30	18 ft. 6 in.
30 - 35	19 ft. 5 in.
35 - 40	20 ft. 4 in.
40 - 45	21 ft. 3 in.
45 - 50	22 ft. 1 in.
50 - 55	22 ft. 11 in.
55 - 60	23 ft. 9 in.

3.8 NORMAL OPERATION: Once attached, the worker is free to move about within the recommended working areas.

SRL: Should a fall occur, a speed sensing brake system will activate, stopping the fall and absorbing much of the energy created. Sudden or quick movements should be avoided during the normal work operation since this may cause the SRL to lock-up.

NOTE: This series of SRL's incorporates a brake system with a cam rocker brake engagement that creates an audible indicator (clicking sound) which informs the user that the brake pawl system is working properly. For further information on the Ultra-Lok® SRL, refer to the manufacturer's instruction manual.

WARNING: Read and follow the manufacturer's instructions for associated equipment (i.e. SRL, full body harness, lanyard, lifeline, etc.) used in your personal fall arrest system.

IMPORTANT: For special (Custom) versions of this product, follow the instructions herein. If enclosed, see attached supplement for additional instructions to be followed when using a customized product.

4.0 TRAINING

4.1 It is the responsibility of all users of this equipment to understand these instructions, and to be trained in the correct installation, use, and maintenance of this equipment. These individuals must be aware of the consequences of improper installation or use of this equipment. This user manual is not a substitute for a comprehensive training program. Training must be provided on a periodic basis to ensure proficiency of the users.

IMPORTANT: Training must be conducted without exposing the trainee to a fall hazard. Training should be repeated periodically.

5.0 INSPECTION

5.1 FREQUENCY: Before each use visually inspect the tripod anchor per the steps listed in section 5.2 and 5.3

IMPORTANT: If this equipment has been subjected to forces resulting from the arrest of a fall, it must be immediately removed from service and destroyed or returned to DBI/SALA for possible repair. See section 5.2.

5.2 INSPECTION POINTS: (refer to manufacturer's instruction supplied with each system component for inspection procedures)

- Inspect the tripod anchor for physical damage. Look carefully for any signs of cracks, dents or deformities in the metal.
- Inspect the tripod anchor for signs of excessive corrosion. Make certain the anchor swivels 360° properly and if applicable that the Ultra-Lok® SRL is attached to the anchor correctly.
- Inspect each system component or subsystem (i.e. SRL, full body harness, lanyard, lifeline, etc.) per associated manufacturer's instructions.
- The webbing material must be free of frayed, cut, or broken fibers. Check for tears, abrasions, mold, burns, or discoloration, etc. The webbing must be free of knots, excessive soiling, heavy paint buildup, and rust staining. Check for chemical or heat damage indicated by brown, discolored, or brittle areas. Check for ultraviolet damage indicated by discoloration and the presence of splinters or slivers on the webbing surface. All of the above factors are known to reduce webbing strength. Damaged or questionable webbing should be replaced. Inspect stitching for pulled or cut stitches.
- Inspect the web guide for deformation or cracks. The web guide prevents the web from abrading against the steel tubing.
- Inspect the hook for distortion, sharp edges, burrs, cracks, worn parts or corrosion. Ensure the hook works properly. The hook gate must move freely and lock upon closing.
- Record the inspection date and results in the inspection log. See section 9.0.

- 5.3 If inspection reveals a defective condition, remove the unit from service immediately and destroy, or contact a factory authorized service center for repair.

IMPORTANT: Only DBI/SALA or parties authorized in writing may make repairs to this equipment.

6.0 MAINTENANCE - SERVICING - STORAGE

- 6.1 Clean the swivelling tripod anchor with a mild soap detergent solution. Excessive build-up of dirt, tar, etc. may prevent the anchor from working properly. A small amount of oil or grease can be applied to the anchor to help the swiveling action. If you have any questions concerning the condition of your tripod anchor, or have any doubt about putting it into service, contact DBI/SALA immediately. Refer to the manufacturer's instructions supplied with each system component for maintenance, servicing, and storage procedures.
- 6.2 Additional maintenance and servicing procedures (i.e. replacement parts) must be completed by a factory authorized service center. Authorization must be in writing.

7.0 SPECIFICATIONS

7.1 COMPONENTS:

MATERIALS:

- Tripod base: Carbon steel
- Swivel Head: Carbon steel
- Webbing: Polyester
- Ratchet web hook: Forged steel

FINISH: Black E-coat paint and zinc-plating

WEIGHT: 33 lbs. (without SRL)

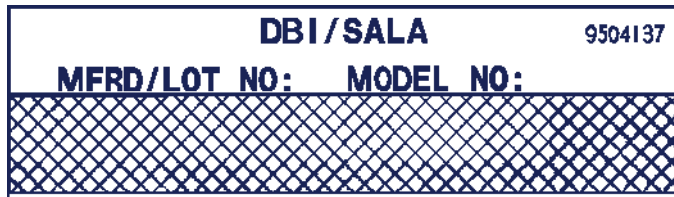
SIZE: 26 in. x 26 in. x 24 in.

CAPACITY: 310 lbs. (one person)

MINIMUM BREAKING STRENGTH: 5,000 lbs.

8.0 LABELING

- 8.1 These labels should be securely attached to the tripod anchor and fully legible. See applicable manufacturer's instructions for subsystem components labels.



ID Label PN9504137



Warning Label PN 9504317

USA
3965 Pepin Ave
Red Wing, MN
55066
800-328-6146

CANADA
280 Export Blvd
Mississauga, Ontario
L5S 1Y9
800-387-7484

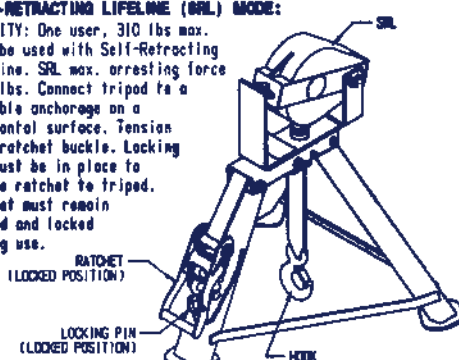
LEADING EDGE TRIPOD ANCHOR

SPECIFICATIONS:
 CAPACITY: 1 user SRL mode, 310 lbs max
 2 users HLL mode, 310 max/user
 MATERIALS: Carbon steel, polyester web, forged steel hook
 Meets OSHA requirements Made in USA

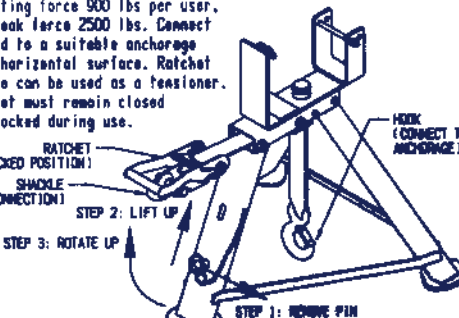
INSPECTION:
 Inspect anchor before each use. Do not use if inspection reveals an unsafe condition. Not user repairable.

USE:
 Do not allow fall arrest system to abrade against sharp edges. Use caution near hazardous thermal, electrical or chemical sources. Refer to User Manual.

SELF-RETRACTING LIFELINE (SRL) MODE:
 CAPACITY: One user, 310 lbs max.
 Must be used with Self-Retracting Lifeline. SRL max. arresting force 1800 lbs. Connect tripod to a suitable anchorage on a horizontal surface. Tension with ratchet buckle. Locking pin must be in place to secure ratchet to tripod. Ratchet must remain closed and locked during use.



HORIZONTAL LIFELINE (HLL) MODE:
 CAPACITY: Two users, 310 lbs max. per user.
 Must be used with Sayline HLL. Max. arresting force 900 lbs per user. HLL peak force 2500 lbs. Connect tripod to a suitable anchorage on a horizontal surface. Ratchet buckle can be used as a tensioner. Ratchet must remain closed and locked during use.



9500391 REV A

Inspection Label PN 9500391

9.0 INSPECTION AND MAINTENANCE LOG

DATE OF MANUFACTURE: _____

MODEL NUMBER: _____

DATE PURCHASED: _____

INSPECTION DATE	INSPECTION ITEMS NOTED	CORRECTIVE ACTION	MAINTENANCE PERFORMED
Approved By: _____			
Approved By: _____			
Approved By: _____			
Approved By: _____			
Approved By: _____			
Approved By: _____			
Approved By: _____			
Approved By: _____			
Approved By: _____			
Approved By: _____			
Approved By: _____			



USA

3965 Pepin Avenue
Red Wing, MN 55066-1837
Toll Free: 800-328-6146
Phone: (651) 388-8282
Fax: (651) 388-5065
www.salagroup.com

Canada

260 Export Boulevard
Mississauga, Ontario L5S 1Y9
Toll Free: 800-387-7484
Phone: (905) 795-9333
Fax: (905) 795-8777
www.salagroup.com

This manual is available for download at www.salagroup.com.



Certificate No. FM 39709

Form: 5902215
Rev: A