



Instructions for the following series products:

Swiveling Roof Anchor
Model Number 2105683

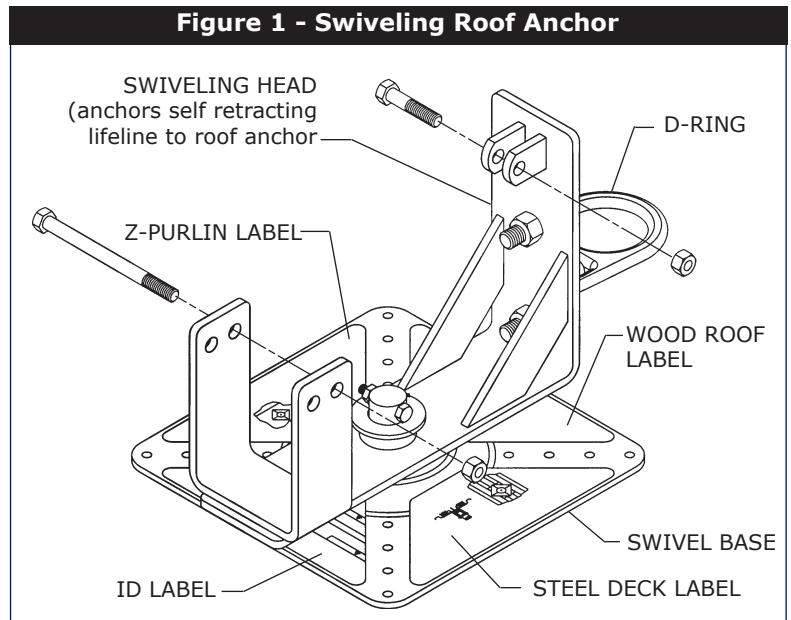
User Instruction Manual Metal/Wood Swiveling Roof Anchor

This manual is provided as the Manufacturer's Instructions, and should be used as part of an employee training program as required by OSHA.

DESCRIPTION

Swiveling Roof Anchor Bracket: Includes swivel base, swivel head, and fasteners. The swivel head is designed for installation of a DBI-SALA Ultra-Lok® model self retracting lifeline (SRL) or attachment of a lifeline or lanyard. The swivel base allows installation to either a wood or steel structure. See Figure 1.

WARNING: This product is part of a personal fall arrest system (PFAS). The users must read and follow the manufacturer's instructions for each component of the system. These instructions must be provided to the users of this equipment. The users must read and understand these instructions or have them explained to them before using this equipment. Manufacturer's instructions must be followed for proper use, care and maintenance of this product. Alterations or misuse of this product or failure to follow instructions, may result in serious injury or death.



IMPORTANT: If you have questions on the use, care, or suitability for use of this equipment, contact DBI-SALA immediately. This instruction manual is intended to be used in conjunction with the instruction manuals supplied with each system component mentioned below if applicable. If an instruction was not supplied with the purchase of that component, contact DBI-SALA immediately.

1.0 APPLICATION

1.1 PURPOSE: The DBI-SALA roof anchor is designed to be used as a temporarily installed anchorage connector on wood or steel frame structures. This anchorage connector may be used as part of a PFAS. This roof anchor is designed for use with the DBI-SALA Ultra-Lok® SRL (models 3504430 and 3504450), energy absorbing lanyards, DBI-SALA Sayline Synthetic HLL System (models 7600502 to 7600510), or rope grabs/rope adjusters and a vertical lifeline. Do not hang, lift or support tools or equipment from these roof anchors or attach guy lines for antennas, phone lines, etc.

1.2 LIMITATIONS: The following application limitations must be recognized and considered before using this product (also reference the manufacturer's instruction supplied with each system component):

- A. **STRUCTURE:** This anchorage connector is intended to be installed on wood members (roof truss, rafter, cord, etc.) between the sizes of 2 x 4 and 2 x 12, steel Z-purlins with a minimum material thickness of 16 gauge (.064 inch), or on steel decking with a minimum material thickness of 22 gauge (.030 inch) and a maximum span of 6 feet between supports. The structure must be capable of meeting the anchorage strength requirements as set forth in section 2.4. Consult DBI-SALA before using this roof anchor on any other applications.

- B. CAPACITY:** This anchorage connector is designed for use by persons with a combined weight (person, clothing, tools, etc.) of no more than 310 lbs. Only one personal fall arrest system (PFAS) may be connected to the anchorage connector at a time.
- C. PERSONAL FALL ARREST SYSTEM:** This swiveling roof anchor is designed to be used in conjunction with the DBI/SALA Ultra-Lok® SRL models 3504430 and 3504450. Other PFAS's used with this roof anchor must meet applicable OSHA, state, federal and ANSI requirements. PFAS's incorporating a full body harness must be capable of arresting a worker's fall with a maximum arresting force of no greater than 1,800 lbs. (900 lbs. maximum arresting force where used with a Sayflin Synthetic Horizontal Lifeline System) and limit the free fall distance to 6 ft. or less. The deceleration distance for a PFAS must be 42 inches (1.1 m) or less. Reference ANSI Z359.1, and OSHA requirements.
- D. LOCKING SPEED OF SRL:** Situations which do not allow for an unobstructed fall path should be avoided. Working in very confined or cramped spaces may not allow the body to reach sufficient speed to cause the SRL to lock should a fall occur. Working on slowly shifting material such as loose shingles may not allow enough speed build-up to cause the SRL to lock. A similar situation may occur on low pitched roofs where a worker may slide instead of fall. A clear path is needed to assure positive locking of the SRL.
- E. CORROSION:** Use near sea water or other corrosive environments may require more frequent inspections or servicing (replacement) to assure corrosion damage is not affecting the performance of the product.
- F. CHEMICAL HAZARDS:** Solutions containing acids, alkali, or other caustic chemicals, especially at elevated temperatures may cause damage to this equipment. Consult DBI/SALA if doubts exist concerning installing this equipment where chemical hazards are present.
- G. ELECTRICAL HAZARDS:** Do not install the roof anchor where it or the user may come into contact with electrical power lines.
- H. TRAINING:** This equipment must be installed and used by persons who have been properly trained in its correct application and use. Installation and use of this equipment must be supervised by a qualified person, as defined by OSHA fall protection standards.
- I. SHARP EDGES:** Avoid working where the lifeline will be in contact with or abrade against unprotected sharp edges.

1.3 Refer to national consensus (including ANSI Z359.1), applicable local, state, and federal (OSHA) requirements governing this equipment for more information on anchorage connectors, and associated system components.

2.0 SYSTEM REQUIREMENTS

2.1 **COMPATIBILITY OF COMPONENTS:** DBI/SALA equipment is designed for use with DBI/SALA approved components and subsystems only. Substitutions or replacements made with non-approved components or subsystems may jeopardize compatibility of equipment and may effect the safety and reliability of the complete system.

2.2 **COMPATIBILITY OF CONNECTORS:** Connectors are considered to be compatible with connecting elements when they have been designed to work together in such a way that their sizes and shapes do not cause their gate mechanisms to inadvertently open regardless of how they become oriented. Contact DBI/SALA if you have any questions about compatibility.

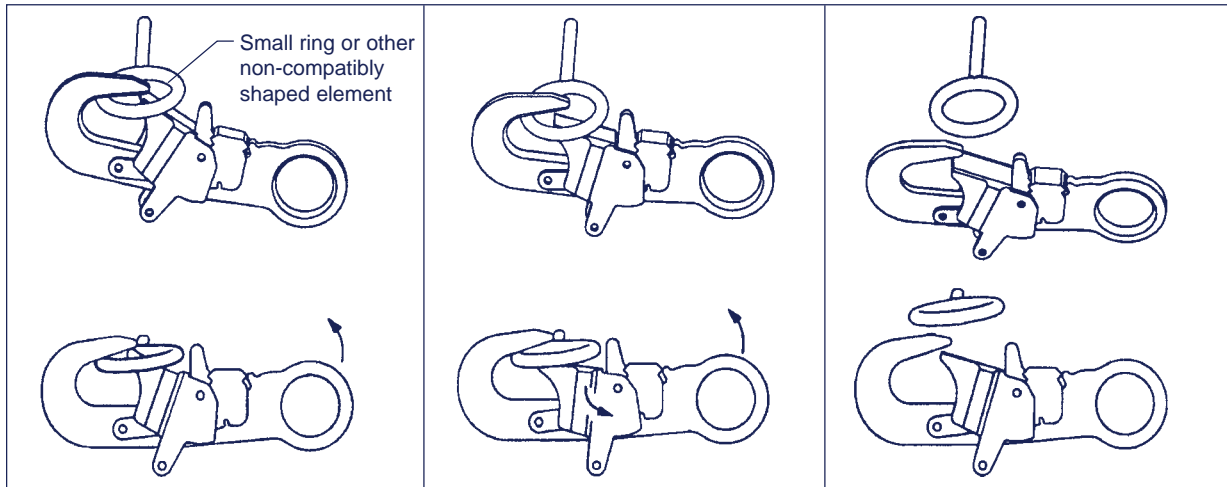
Connectors (hooks, carabiners, and D-rings) must be capable of supporting at least 5,000 lbs. (22.2 kN). Connectors must be compatible with the anchorage or other system components. Do not use equipment that is not compatible. Non-compatible connectors may unintentionally disengage. See Figure 2. Connectors must be compatible in size, shape, and strength. Self locking snap hooks and carabiners are required by ANSI Z359.1 and OSHA.

2.3 **MAKING CONNECTIONS:** Only use self-locking snap hooks and carabiners with this equipment. Only use connectors that are suitable to each application. Ensure all connections are compatible in size, shape and strength. Do not use equipment that is not compatible. Ensure all connectors are fully closed and locked.

DBI/SALA connectors (snap hooks and carabiners) are designed to be used only as specified in each product's

Figure 2 - Unintentional Disengagement (Roll-out)

If the connecting element that a snap hook (shown) or carabiner attaches to is undersized or irregular in shape, a situation could occur where the connecting element applies a force to the gate of the snap hook or carabiner. This force may cause the gate (of either a self-locking or a non-locking snap hook) to open, allowing the snap hook or carabiner to disengage from the connecting point.



1. Force is applied to the snap hook.

2. The gate presses against the connecting ring.

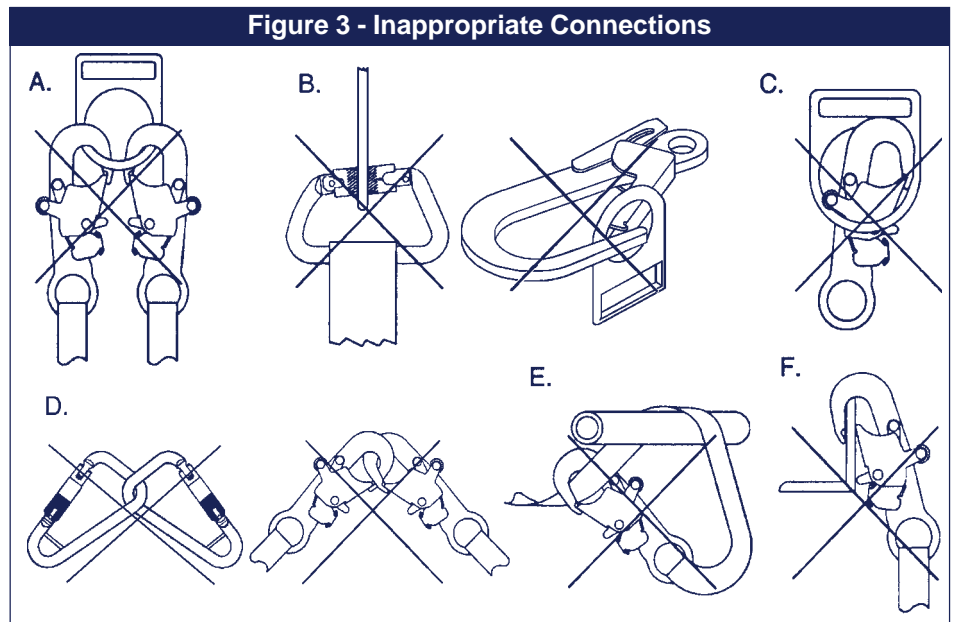
3. The gate opens allowing the snap hook to slip off.

user's instructions. See Figure 3 for inappropriate connections. DBI/SALA snap hooks and carabiners should not be connected:

- A. To a D-ring to which another connector is attached.
- B. In a manner that would result in a load on the gate.

NOTE: Large throat opening snap hooks should not be connected to standard size D-rings or similar objects which will result in a load on the gate if the hook or D-ring twists or rotates. Large throat snap hooks are designed for use on fixed structural elements such as rebar or cross members that are not shaped in a way that can capture the gate of the hook.

Figure 3 - Inappropriate Connections



- C. In a false engagement, where features that protrude from the snap hook or carabiner catch on the anchor and without visual confirmation seems to be fully engaged to the anchor point.
- D. To each other.
- E. Directly to webbing or rope lanyard or tie-back (unless the manufacturer's instructions for both the lanyard and connector specifically allows such a connection).
- F. To any object which is shaped or dimensioned such that the snap hook or carabiner will not close and lock, or that roll-out could occur.

2.4 ANCHORAGE STRENGTH: The anchorage to which the roof anchor is installed must meet minimum strength(s) as given below for the applications selected:

FALL ARREST: Per ANSI Z359.1 - Anchorages selected for personal fall arrest systems (PFAS) shall have a strength capable of sustaining static loads in the direction(s) permitted by the PFAS when in use of at least (A) 3,600 lbs (16 kN) when certification exists; reference ANSI Z359.1 for certification definition), or (B) 5,000 lbs. (22.2 kN) in absence of certification. When more than one PFAS is attached to an anchorage, the anchorage strengths set forth in (A) or (B) above shall be multiplied by the number of PFAS attached to the anchorage.

Per OSHA 1926.500 and 1910.66 - Anchorages used for attachment of personal fall arrest systems (PFAS) shall be independent of any anchorage being used to support or suspend platforms and capable of supporting at least 5,000 lbs. per user attached, or be designed, installed and used as part of a complete PFAS which maintains a safety factor of at least two and is under the supervision of a qualified person.

3.0 OPERATION AND USAGE

WARNING: Do not alter or intentionally misuse this equipment. Consult with DBI/SALA if using this equipment in combination with components or subsystems other than those described in this manual. Some subsystems and components combinations may interfere with the proper operation of this equipment.

WARNING: Consult your doctor if there is reason to doubt your fitness to safely absorb the shock from a fall arrest. Age and fitness seriously affect a worker's ability to withstand falls. Pregnant women and minors must not use this equipment.

3.1 BEFORE EACH USE of this equipment, carefully inspect it to assure that it is in serviceable condition. Check for worn or damaged parts. Ensure the roof anchor is secure and not distorted. Inspect for sharp edges, burrs, cracks, or corrosion. Inspect other fall arrest equipment in accordance with the manufacturer's instructions supplied with each system component. Refer to section 5.0 for further inspection details. Do not use if inspection reveals an unsafe condition.

3.2 PLAN your fall arrest system before starting your work. Take into consideration factors affecting your safety at any time during use. The following list gives some important points you must consider when planning your system:

- A. ANCHORAGE:** Select an anchorage point that is rigid and capable of supporting the required loads. See section 2.4. Locate the roof anchor in accordance with section 3.3.
- B. OTHER CONSIDERATIONS:** Personal fall arrest systems must be rigged to limit any free fall to a maximum of 6 feet (OSHA and ANSI Z359.1). Avoid working above your anchorage level since an increased free fall distance will result. Avoid working where your line may cross or tangle with that of another worker or another object. Do not allow the lifeline to pass under arms or between legs. Never clamp, knot or otherwise prevent the lifeline from retracting or being taut, avoid slack line. **Do not lengthen the SRL by connecting a lanyard or similar component without consulting DBI/SALA.**
- C. TOTAL FALL DISTANCE:** Should a fall occur, there must be sufficient clearance in the fall area to arrest the fall before striking the ground or other object. The total fall distance is the distance measured from the onset of a fall to the point where the fall is arrested. A number of factors can influence the total fall distance including; user's weight, anchorage location relative to the fall (swing fall), body support with sliding D-ring, and the type of fall arrest equipment you attach to the roof anchor. For specific clearance requirements read and follow the manufacturers's instructions for your fall arrest equipment.
- D. SWING FALLS:** See Figure 4. Swing falls occur when the anchorage point is not directly above the point where a fall occurs. The force of striking an object while swinging (horizontal speed of the user due to the pendulum affect) can be great and may cause serious injury. Swing falls can be minimized by working as directly below the anchorage point as possible. In a swing fall situation, the total vertical fall distance of the user will be greater than if the user had fallen vertically directly below the anchorage point. The user must therefore account for an increase in the total free fall distance and the area needed to safely arrest the fall.

The SRL (if applicable) will activate (lock-up) regardless of it's orientation and location relative to the user's position, however, a commonly followed guideline is not to extend your work zone over 30° from the anchorage point (the roof anchor swivels providing a 30° work area on both sides of the roof anchor). Do not captivate the lifeline of an SRL, it may affect the performance of its braking. If a swing fall hazard exists in

your application, contact DBI/SALA before proceeding.

E. SHARP EDGES: Avoid working where the connecting subsystem (i.e. SRL, full body harness, lanyard, lifeline, etc.) or other system components will be in contact with, or abrade against unprotected sharp edges. See Figure 5. If working with this equipment near sharp edges is unavoidable, protection against cutting must be provided by using a heavy pad or other means over the exposed sharp edge. When using an SRL, it is recommended that an energy absorber (PN 1220362) be installed in-line between the harness and the self retracting lifeline to further protect the worker. Compatibility and total fall distance issues must be considered if this is done. Contact DBI/SALA before using in-line energy absorbing components or lanyards with self retracting lifelines.

F. RESCUE: Should a fall occur, the user (employer) must have a rescue plan and the means at hand to implement it.

G. AFTER A FALL: Any equipment which has been subjected to the forces of arresting a fall must be removed from service immediately and destroyed or contact a factory authorized service center for repair.

3.3 INSTALLATION REQUIREMENTS:

A. ROOF ANCHOR SITE PLAN: Before starting the roof construction, a plan should be established as to where the roof anchor(s) will be installed and when, during the construction process, they may be used. See Figure 6. The following are guide lines on locating roof anchors:

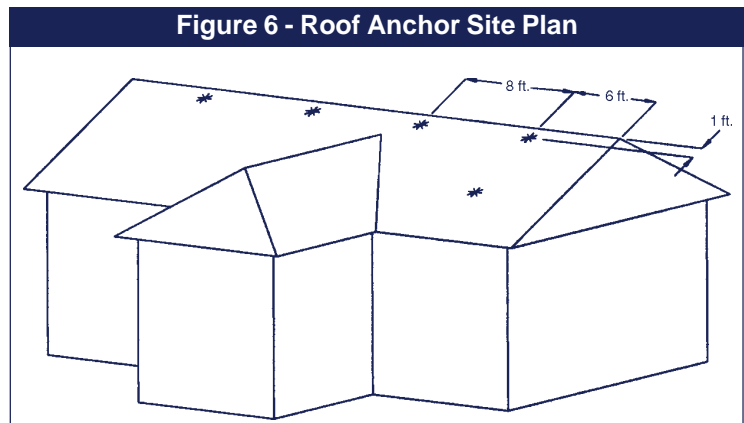
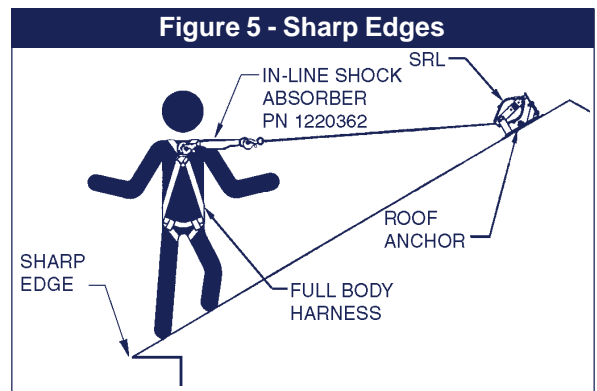
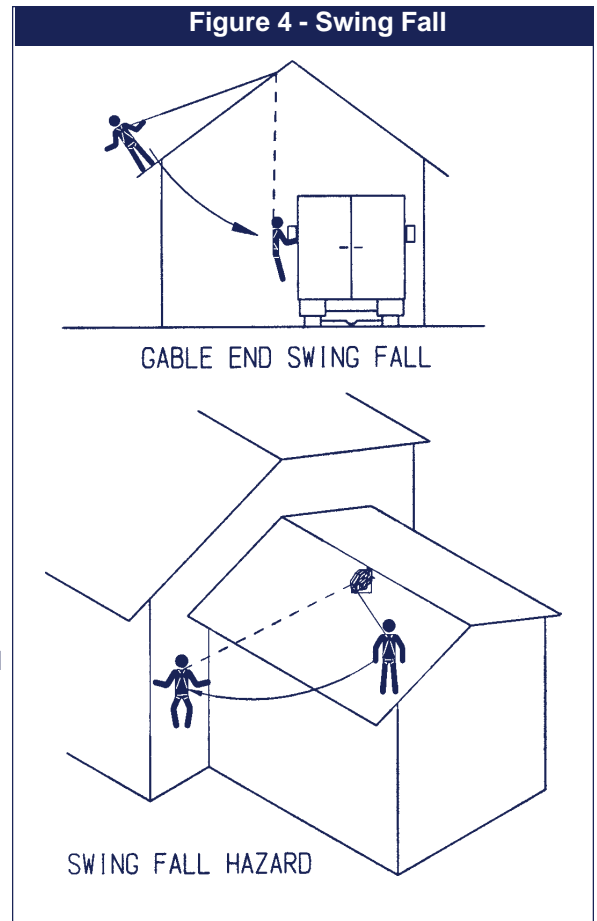
- The roof anchor should be located 12 inches down from the roof peak and at least 6 ft. away from any exposed roof edge. On very small roof areas, locate the roof anchor as far from the roof edge as possible. The roof anchor can also be installed on the flat portion of the roof; caution should be used to prevent lifeline wear on the peak if working on the opposite side of the roof where the anchor is installed.

- Do not install the roof anchor on fascia board or unsupported roof structures such as eaves or gable overhangs.

- Anchors should be installed at 8 ft. spacing along roof ridge.

- On long low pitched roofs, multiple roof anchors should be installed along gable ends (6 ft. from edge) to reduce swing fall hazards.

- Do not leave the roof anchor permanently installed. The roof anchor is not designed to prevent water leakage.



B. ROOF ANCHOR INSTALLATION: Roof anchors must be installed in accordance with the previously discussed site plan. Site work rules must be followed regarding when an installed roof anchor is ready for use (i.e. properly braced, etc.).

C. WOOD ROOF FRAMING: Roof framing members to which the roof anchor(s) are attached must be in good condition. Members must be free of splits, cracks, large knots or other defects that may weaken the member. Figure 7 shows how the roof anchor would look once in place. The roof framing structure must be capable of withstanding the loads given in section 2.4. The roof anchor must not be attached or used until the sheathing is in place. Do not install the roof anchor on top of existing shingles or roofing material.

ATTACHING THE ROOF ANCHOR TO WOOD

ROOFING: Position the anchor on the roof so eight of the lag screw holes on the anchor are centered over a roof (framing) member (must be a 2 x 4 minimum and a maximum of 24 inches on center). The lag screws must engage the center of the truss. See Figure 8. Install eight 1/4-14 x 2 1/2-inch or longer lag screws (3/16-inch diameter or smaller pilot holes may be drilled for easier installation of the lag screws). The lag screws are included with the roof anchor. When attaching the DBI/SALA roof anchors to the roof (framing) member, splitting may occur in some hard wood materials. If your material is susceptible to splitting, predrilling is **REQUIRED!** For the lag screws supplied with the roof anchor, drill a 3/16 inch diameter hole 2 inches to 2 1/2 inches deep. After the holes are drilled, attach the lag screws fully into the anchor. See Figure 8. See section 5.0 for pre-use inspection.

WARNING: The lag screws must go through the sheathing and into the roof member. If they do not, the anchor will not hold the rated loads and serious injury or death could occur. Only use 1/4 x 2-1/2 inch or longer lag screws.

IMPORTANT: All eight of the holes in the base plate that are in line with the framing member must be used for mounting the anchor. If the anchor is not installed correctly the anchor could pull away from the roof structure during a fall arrest causing a serious injury or death.

D. METAL ROOF FRAMING: Z-purlins to which the roof anchor(s) are attached must be in good condition. They must be a minimum of 16 gauge (.064 inch) or thicker material, and must be capable of withstanding the loads given in section 2.4. The roof anchor must not be used until the roof decking is in place and secured to the Z-purlins. Figure 9 shows how the anchor will look once in place.

ATTACHING THE ROOF ANCHOR TO METAL

ROOFING: Place wood spacers (provided by user) in the troughs of the decking material to

Figure 7 - Wood Roof Framing

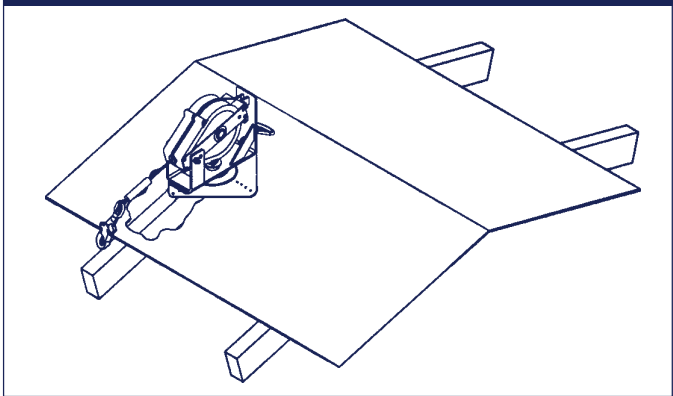


Figure 8 - Wood Roofing

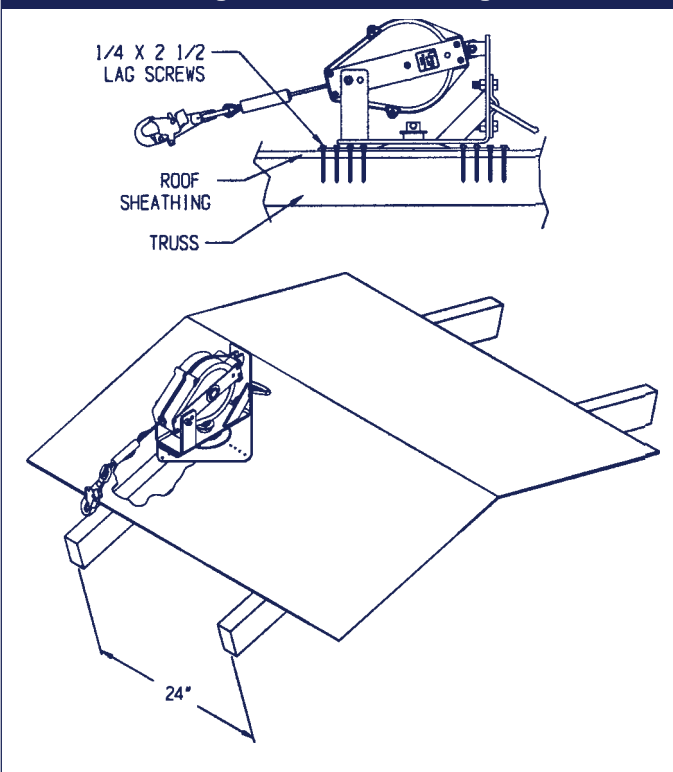
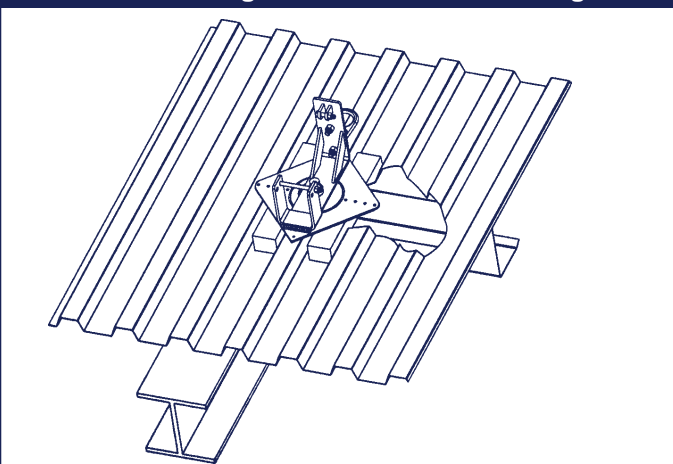


Figure 9 - Metal Roof Framing



allow the anchor to sit level. See Figure 10. Position the anchor on the roof decking so eight of the screw holes in the anchor line up with the center of the top flange of the Z-purlin (16 gauge minimum material thickness). Install eight 1/4-14 x 2 1/2-inch self-drilling screws. All the self-drilling screws must engage the center of the purlin's top flange, and be of sufficient length to have a minimum of 5 threads protruding through the purlin flange, see Figure 10. See section 5.0 for pre-use inspection.

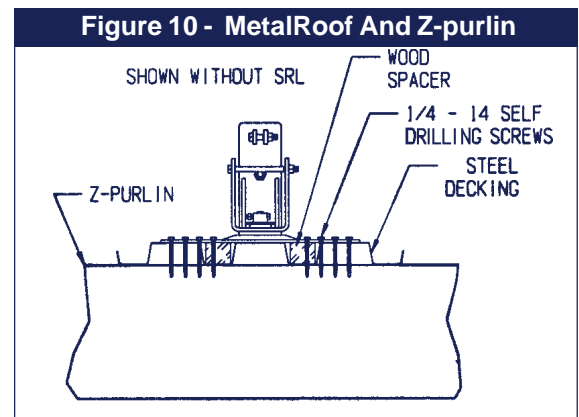
WARNING: If the provided self-drilling screws are not the proper length, it is the responsibility of the user to supply the longer self-drilling screws (1/4-14 size screws are required).

IMPORTANT: All eight of the holes in the base plate that are in line with the Z-purlin must be used for mounting the anchor. If the anchor is not installed correctly the anchor could pull away from the roof structure during a fall arrest, causing a serious injury or death.

E. STEEL DECKING: The decking to which the roof anchor is to be attached must be in good condition. It must be a minimum material thickness of 22 gauge (.030 inch), and must not span more than 6 feet between supports. It must also be capable of withstanding the loads given in section 2.4. The roof anchor must not be used until the decking is in place and completely secured.

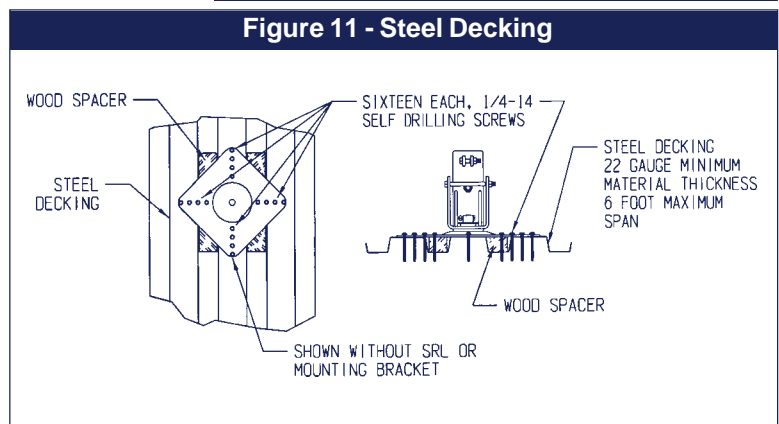
ATTACHING THE ROOF ANCHOR TO STEEL DECKING:

Place wood spacers (provided by user) in the troughs of the decking material. See Figure 11. Position the anchor on the decking so that 8 of the screw holes line up with the center of a decking rib (the decking must be 22 gauge minimum material thickness). Install sixteen 1/4-14 x 2 1/2-inch self-drilling screws (8 in each direction). All of the self-drilling screws must engage the decking and be of sufficient length to have a minimum of 5 threads protruding through the decking material. See section 5.0 for pre-use inspection.



WARNING: If the provided self-drilling screws are not the proper length, it is the responsibility of the user to supply the longer self-drilling screws (1/4-14 size screws are required).

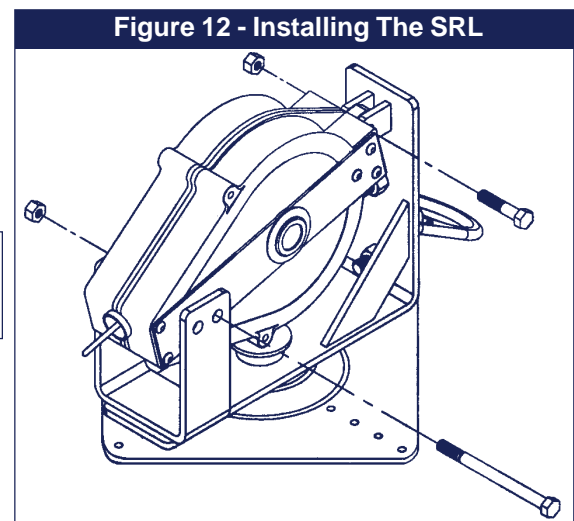
IMPORTANT: All 16 holes in the base plate must be used for mounting the anchor to steel decking. If the anchor is not installed correctly the anchor could pull away from the mounting structure during a fall arrest causing serious injury or death



F. INSTALLING THE SRL: Once the roof anchor is secure the SRL can be installed. The SRL mounts to the swiveling roof anchor with two 3/8 inch bolts and nylon insert nuts. See Figure 12.

G. ATTACHING LANYARDS OR LIFELINE: Once the roof anchor is secure the energy absorbing lanyard, horizontal lifeline, or rope grab/rope adjuster and vertical lifeline can be attached utilizing the D-ring on the swiveling head of the anchor.

IMPORTANT: You can not make a connection to the SRL and the roof anchor D-ring at the same time. You can only use one connection point at a time.



H. REMOVAL OF THE ROOF ANCHOR: Remove the roof anchor prior to finishing and waterproofing the roof. To remove it, unscrew the screws and remove. The roof anchor is removable and is designed to be installed at other sites following inspection per section 5.0.

WARNING: Do not reuse self-drilling screws when reinstalling the roof anchor. Only use new self-drilling screws.

3.4 BODY SUPPORT: When using the DBI/SALA swiveling roof anchor, it is recommended that a full body harness be worn. For general fall protection use, connect to the D-ring on the back between the shoulders (dorsal D-ring).

IMPORTANT: Body belts are not allowed for free fall situations. Body belts increase the risk of injury during fall arrest in comparison to a full body harness. Limited suspension time and the potential for improperly wearing a body belt may result in added danger to the user's health.

3.5 CONNECTING TO THE ROOF ANCHOR: Figure 13 illustrates the proper connection of typical fall arrest equipment to the roof anchor. Always protect the lifeline from abrading against sharp or abrasive surfaces on the roof. Make sure all the connections are compatible in size, shape and strength. Never connect more than one personal protective system to any single roof anchor at a time.

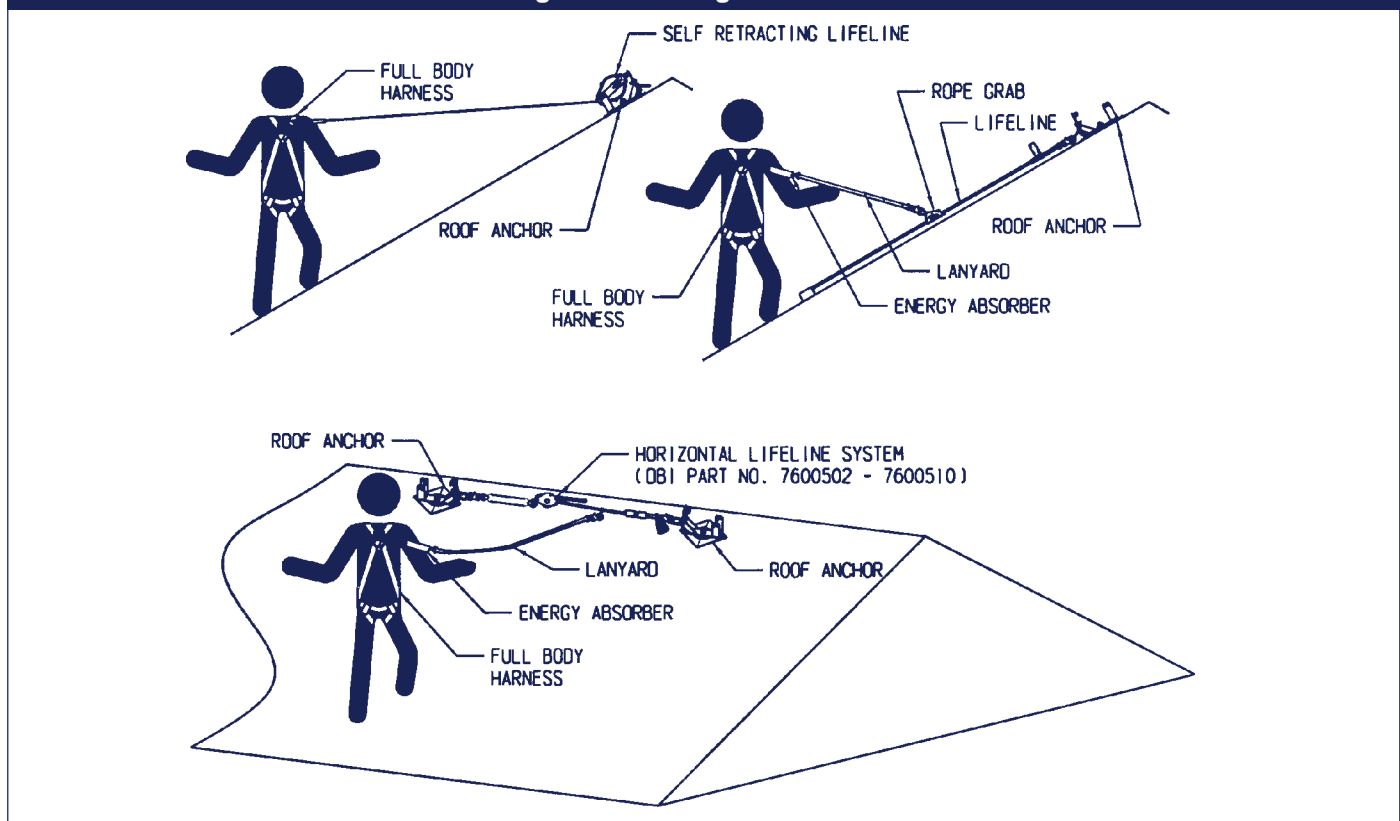
SRL: Connection to the installed roof anchor may be made by attaching the self locking snap hook at the end of the Ultra-Lok's® lifeline to the back dorsal D-ring (fall arrest attachment point) of the user's body support (i.e. full body harness). When connecting, make sure the connections are fully closed and locked. Review section 3.2 if using an SRL near sharp edges.

ENERGY ABSORBING LANYARDS OR LIFELINE: Connect the energy absorbing end of the lanyard to the back D-ring on the full body harness (see section 3.4). See manufacturer's instruction for more information.

HLL SYSTEM: The swiveling roof anchor can be used as an end anchor for a DBI/SALA Sayflite Synthetic HLL System (models 7600502 to 7600510). This system utilizes energy absorbers on each end to limit end loads to a maximum of 1800 lbs. See manufacturer's instructions for the HLL System for more information. (Contact DBI/SALA for more information on Sayflite Synthetic HLL systems.)

3.6 NORMAL OPERATION: Once attached, the worker is free to move about within the recommended working areas (30° from either side of the roof anchor).

Figure13 - Making Connections



SRL: Should a fall occur, a speed sensing brake system will activate, stopping the fall and absorbing much of the energy created. Sudden or quick movements should be avoided during the normal work operation since this may cause the SRL to lock-up.

NOTE: This series of SRL's incorporates a new brake system with a cam rocker brake engagement that creates an audible indicator (clicking sound) which informs the user that the brake pawl system is working properly. For further information on the Ultra-Lok® SRL, refer to the manufacturer's instruction manual.

ENERGY ABSORBING LANYARD: Should a fall occur, the energy absorber will deploy, stopping the fall and absorbing much of the energy created.

If a fall has been arrested, the system must be taken out of service and inspected, see section 5.0.

WARNING: Read and follow the manufacturer's instructions for associated equipment (i.e. SRL, full body harness, lanyard, lifeline, etc.) used in your personal fall arrest system.

IMPORTANT: For special (Custom) versions of this product, follow the instructions herein. If enclosed, see attached supplement for additional instructions to be followed when using a customized product.

4.0 TRAINING

4.1 It is the responsibility of all users of this equipment to understand these instructions, and to be trained in the correct installation, use, and maintenance of this equipment. These individuals must be aware of the consequences of improper installation or use of this equipment. This user manual is not a substitute for a comprehensive training program. Training must be provided on a periodic basis to ensure proficiency of the users.

IMPORTANT: Training must be conducted without exposing the trainee to a fall hazard. Training should be repeated periodically.

5.0 INSPECTION

5.1 FREQUENCY: Before each use visually inspect the roof anchor per the steps listed in section 5.2 and 5.3

IMPORTANT: If this equipment has been subjected to forces resulting from the arrest of a fall, it must be immediately removed from service and destroyed or returned to DBI/SALA for possible repair. See section 5.2.

5.2 INSPECTION STEPS: (refer to manufacturer's instruction supplied with each system component for inspection procedures)

Step 1. Inspect the Roof Anchor for physical damage. Look carefully for any signs of cracks, dents or deformities in the metal.

Step 2. Inspect the Roof Anchor for signs of excessive corrosion. Make certain the anchor swivels 360° properly and if applicable that the Ultra-Lok® SRL is attached to the anchor correctly.

Step 3. Ensure the condition of the roof anchor will support the Roof Anchor loads, see section 2.4. An anchor connected to rotten or deteriorated wood should not be used.

Step 4. Ensure the Roof Anchor is still securely attached to the roof structure. See section 3.3.

Step 5. Inspect each system component or subsystem (i.e. SRL, full body harness, lanyard, lifeline, etc.) per associated manufacturer's instructions.

Step 6. Record the inspection date and results in the inspection log. See section 9.0.

5.3 If inspection reveals a defective condition, remove the unit from service immediately and destroy, or contact a factory authorized service center for repair.

IMPORTANT: Only DBI/SALA or parties authorized in writing may make repairs to this equipment.

6.0 MAINTENANCE - SERVICING - STORAGE

- 6.1** Clean the swivelling roof anchor with a mild soap detergent solution. Excessive build-up of dirt, tar, etc. may prevent the anchor from working properly. A small amount of oil or grease can be applied to the anchor to help the swiveling action. If you have any questions concerning the condition of your roof anchor, or have any doubt about putting it into service, contact DBI/SALA immediately. Refer to the manufacturer's instructions supplied with each system component for maintenance, servicing, and storage procedures.
- 6.2** Additional maintenance and servicing procedures (i.e. replacement parts) must be completed by a factory authorized service center. Authorization must be in writing.

7.0 SPECIFICATIONS

7.1 COMPONENTS:

MATERIALS: Carbon steel

FINISH: Black E-coat paint, Zinc plating

WEIGHT: 14 lbs. (without SRL)

SIZE: 10 in. x 10 in. x 3/16 in.

CAPACITY: 310 lbs. (one person)

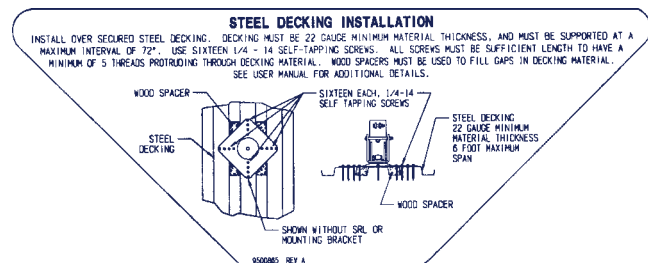
MINIMUM BREAKING STRENGTH: 3,600 lbs.

8.0 LABELING

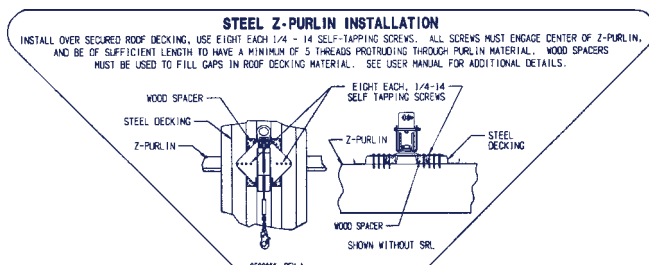
- 8.1** These labels should be securely attached to the roof anchor and fully legible. See applicable manufacturer's instructions for subsystem components labels.



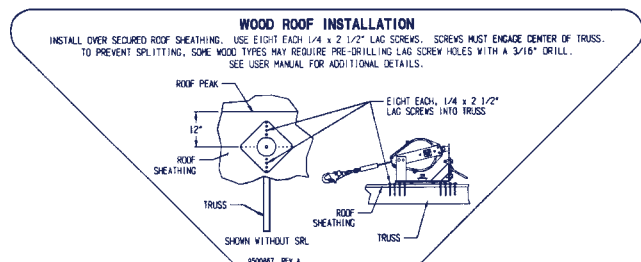
ID Label



Steel Decking Installation Label



Z-purlin Installation Label



Wood Roof Installation Label

9.0 INSPECTION AND MAINTENANCE LOG

DATE OF MANUFACTURE: _____

MODEL NUMBER: _____

DATE PURCHASED: _____

INSPECTION DATE	INSPECTION ITEMS NOTED	CORRECTIVE ACTION	MAINTENANCE PERFORMED
Approved By: _____			
Approved By: _____			
Approved By: _____			
Approved By: _____			
Approved By: _____			
Approved By: _____			
Approved By: _____			
Approved By: _____			
Approved By: _____			
Approved By: _____			
Approved By: _____			
Approved By: _____			



A Capital Safety Company

USA

3833 SALA Way
Red Wing, MN 55066-5005
Toll Free: 800-328-6146
Phone: (651) 388-8282
Fax: (651) 388-5065
www.capitalsafety.com

Canada

260 Export Boulevard
Mississauga, Ontario L5S 1Y9
Toll Free: 800-387-7484
Phone: (905) 795-9333
Fax: (905) 795-8777
www.capitalsafety.com

This manual is available for download at www.capitalsafety.com.



Form: 5902185
Rev: D