



The Ultimate in Fall Protection

**Instructions for the following series products:**

Monkey Board Belts and  
Derrick Belts with Monkey Board Belts

(See back page for specific model numbers.)

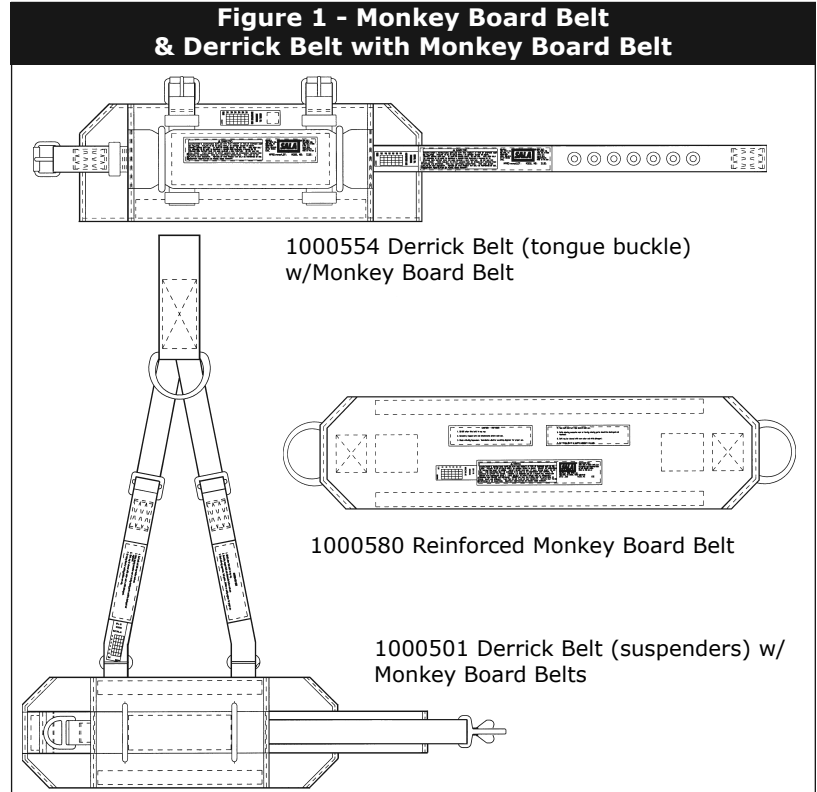
**USER INSTRUCTION MANUAL FOR  
MONKEY BOARD BELTS AND DERRICK BELTS W/MONKEY BOARD BELTS**

This manual is intended to meet the Manufacturer’s Instructions as recommended by OSHA and should be used as part of an employee training program.

**DESCRIPTIONS**

DBI-SALA Derrick Belts and Monkey Board Belts are available in various styles and configurations. Following are descriptions of typical styles, other sizes are available.

Model	Description	Size - In. (cm)
1000490	Monkey Board Belt	44.5 x 8 (113 x 20)
1000491	Monkey Board Belt	31.5 x 8 (80 x 20)
1000492	Monkey Board Belt, Aluminum ID	44.5 x 8 (113 x 20)
1000501	Derrick Belt (suspenders) w/Monkey Board Belt	LG
1000502	Derrick Belt (suspenders) w/Monkey Board Belt	XL
1000544	Derrick Belt (pass buckle) w/Monkey Board Belt	LG, 23 x 8 (58 x 20)
1000545	Derrick Belt (pass buckle) w/Monkey Board Belt	XL, 23 x 8 (58 x 20)
1000554	Derrick Belt (tongue buckle) w/Monkey Board Belt	LG, 23 x 8 (58 x 20)
1000555	Derrick Belt (tongue buckle) w/Monkey Board Belt	XL, 23 x 8 (58 x 20)
1000580	Monkey Board Belt, Reinforced	31.5 x 8 (80 x 20)



**WARNING:** This product is part of a work positioning system. These instructions must be provided to the user of this equipment. The user must read and understand these instructions before using this equipment. The user must follow the manufacturer’s instructions for each component of the system. Manufacturer’s instructions must be followed for proper use and maintenance of this equipment. Alterations or misuse of this equipment, or failure to follow instructions, may result in serious injury or death.

**IMPORTANT:** If you have questions on the use, care, or suitability of this equipment for your application, contact DBI-SALA.

**IMPORTANT:** Record the product identification information from the ID label in the inspection and maintenance log in section 9.0 of this manual.

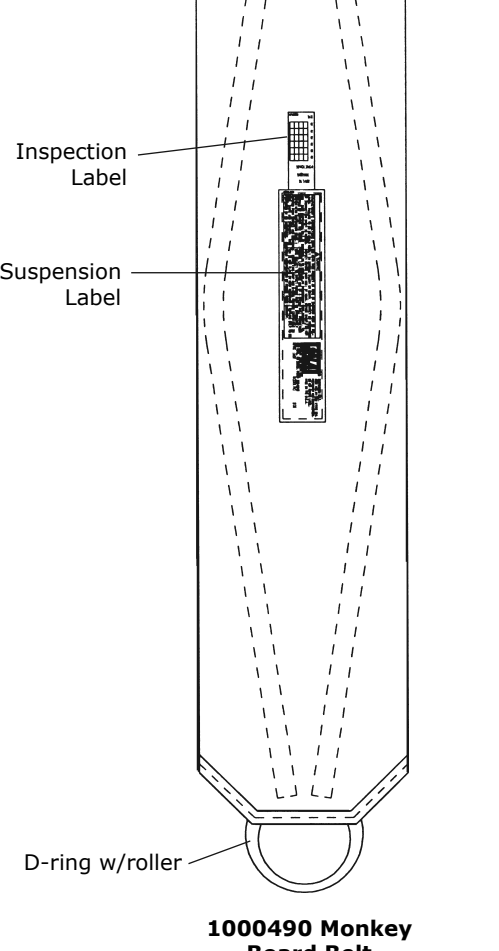
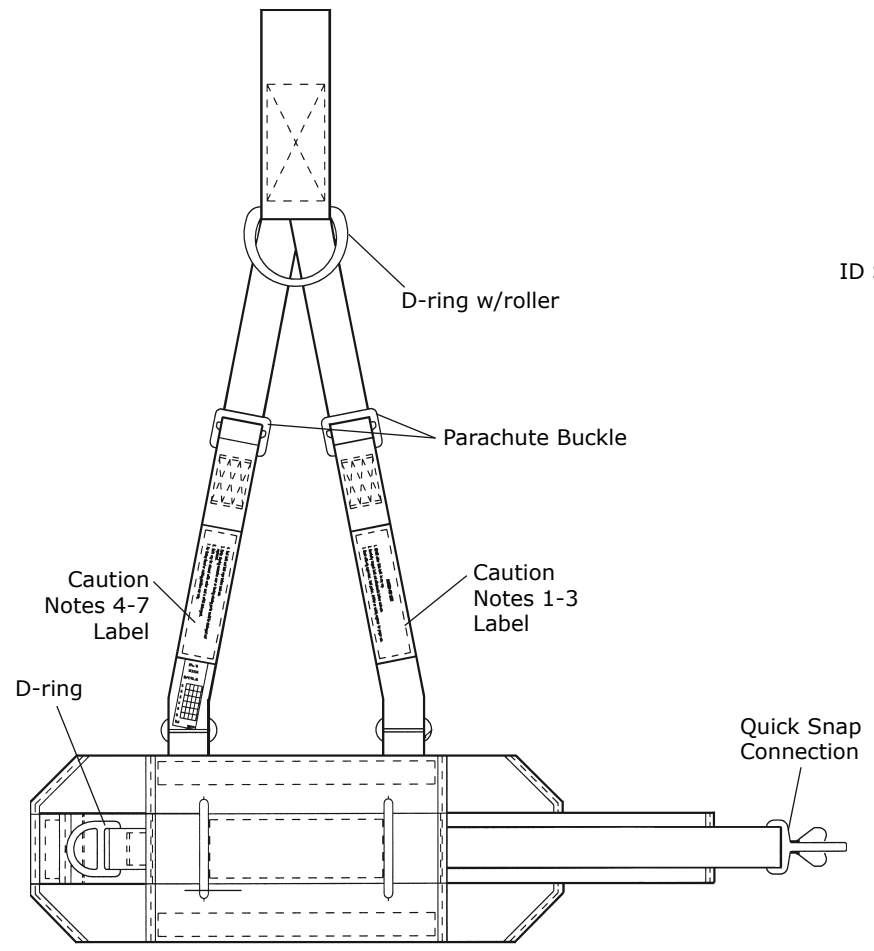
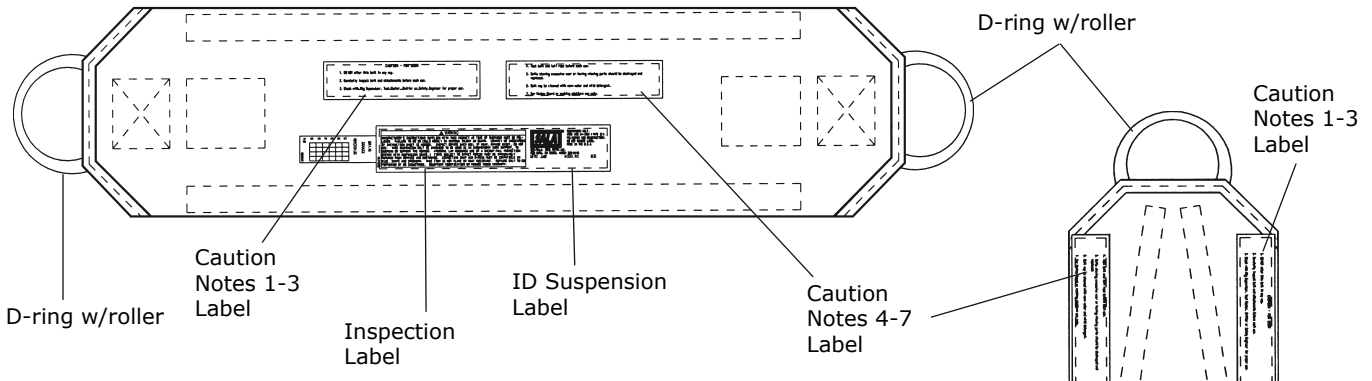
**1.0 APPLICATIONS**

**1.1 PURPOSE:** Monkey Board Belts and Derrick Belts w/Monkey Board Belts are intended to be used as part of a work positioning system. Applications include pipe racking and related work on the Monkey Board of drilling rigs for the petroleum industry.

**A. WORK POSITIONING:** Monkey Board Belts and Derrick Belts w/Monkey Board Belts can be used to help position and support the user at a work position.

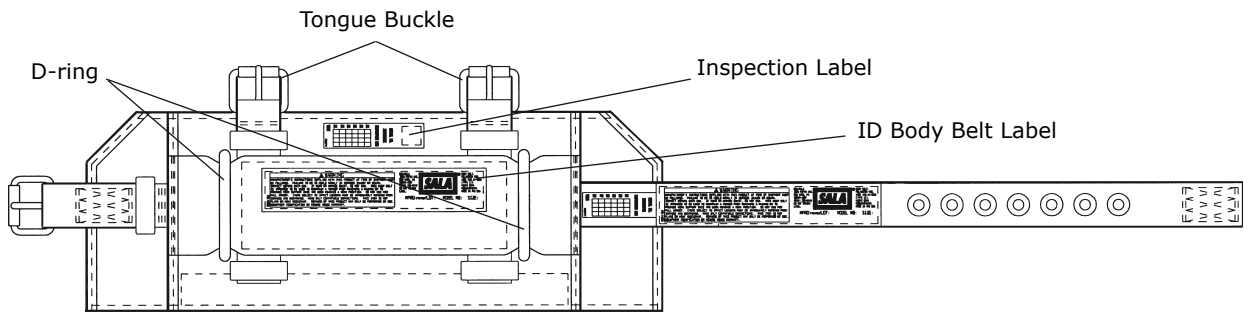
**Figure 2 - Identification**

**1000580 Reinforced Monkey Board Belt**



**1000501 Derrick Belt (suspenders) w/Monkey Board Belt**

**1000490 Monkey Board Belt**

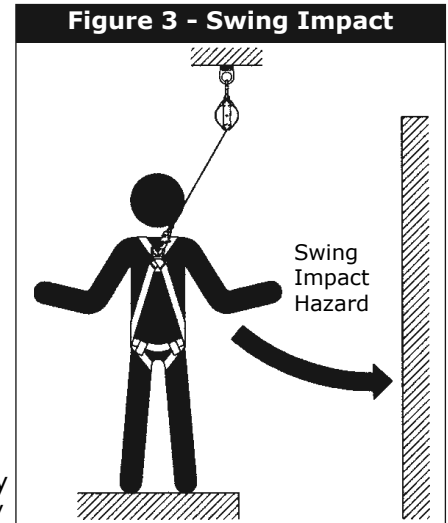


**1000554 Derrick Belt (tongue buckle) w/Monkey Board Belt**

**B. FALL ARREST (BACKUP):** A separate fall arrest system is required by OSHA to be used with Monkey Board Belts and Derrick Belts w/Monkey Board Belts. This typically consists of a full body harness in conjunction with a self-retracting lifeline, energy absorbing lanyard or a rope grab and lifeline. The D-rings on all models of Monkey Board Belts and Derrick Belts are not to be used as fall arrest attachment points.

**1.2 LIMITATIONS:** Consider the following application limitations before using this equipment:

- A. CAPACITY:** This equipment is designed for use by persons with a combined weight (person, clothing, tools, etc.) of no more than 310 lbs (141 kg).
- B. ENVIRONMENTAL HAZARDS:** Use of this equipment in areas where environmental hazards exist may require additional precautions to reduce the possibility of injury to the user or damage to the equipment. Hazards may include, but are not limited to: high heat, caustic chemicals, corrosive environments, high voltage power lines, explosive or toxic gases, moving machinery, or sharp edges.
- C. SWING IMPACTS:** Swing impacts may occur when a positioned worker is not directly beneath their working position or back-up fall arrest anchor point. The force of striking an object in a swing may cause serious injury or death. Minimize swing impacts by working as close to or directly below the anchorage point as possible. Do not permit a swing if injury could occur. Swinging will significantly increase the clearance required when a self-retracting lifeline or other variable length connecting subsystem is used for the back-up fall arrest system. See Figure 3.
- D. FREE FALL:** Monkey Board Belts and Derrick Belts w/Monkey Board Belts are not to be used to arrest a free fall.
- E. TRAINING:** This equipment is intended to be used by persons trained in its correct application and use.



**1.3 APPLICABLE STANDARDS:** A separate fall arrest system is required by OSHA (see OSHA 1910.28 and OSHA 1926.451) to be used with Monkey Board Belts or Derrick Belts w/Monkey Board Belts. This typically consists of a full body harness in conjunction with a rope grab and lifeline or self-retracting life line attached to the back D-ring of a full body harness. Refer to national standards, including ANSI Z359.1, and local, state, and federal (OSHA 1910.66, appendix D, 1926.500, 1926.451) requirements for more information on personal fall arrest systems and associated components.

## 2.0 SYSTEM REQUIREMENTS

- 2.1 COMPATIBILITY OF COMPONENTS:** DBI-SALA equipment is designed for use with DBI-SALA approved components and subsystems only. Substitutions or replacements made with non-approved components or subsystems may jeopardize compatibility of equipment and may effect the safety and reliability of the complete system.
- 2.2 COMPATIBILITY OF CONNECTORS:** Connectors are considered to be compatible with connecting elements when they have been designed to work together in such a way that their sizes and shapes do not cause their gate mechanisms to inadvertently open regardless of how they become oriented. Contact DBI-SALA if you have any questions about compatibility.

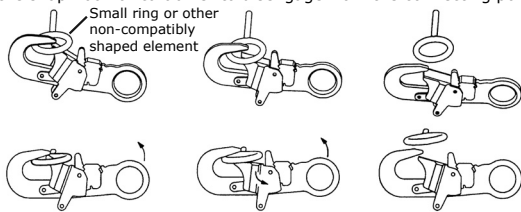
Connectors (hooks, carabiners, and D-rings) must be capable of supporting at least 5,000 lbs. (22.2kn). Connectors must be compatible with the anchorage or other system components. Do not use equipment that is not compatible. Non-compatible connectors may unintentionally disengage. See Figure 4. Connectors must be compatible in size, shape, and strength. Self-locking snap hooks and carabiners are required by ANSI Z359.1 and OSHA.

- 2.3 MAKING CONNECTIONS:** Use only self-locking snap hooks and carabiners with this equipment. Use only connectors that are suitable to each application. Ensure all connections are compatible in size, shape and strength. Do not use equipment that is not compatible. Ensure all connectors are fully closed and locked.

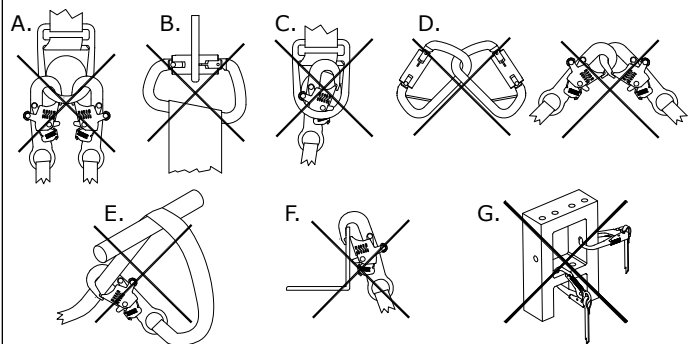
DBI-SALA connectors (snap hooks and carabiners) are designed to be used only as specified in each product's user's instructions. See Figure 5 for inappropriate connections. DBI-SALA snap hooks and carabiners should not be connected:

**Figure 4 - Unintentional Disengagement**

If the connecting element to which a snap hook (shown) or carabiner attaches is undersized or irregular in shape, a situation could occur where the connecting element applies a force to the gate of the snap hook or carabiner. This force may cause the gate (of either a self-locking or a non-locking snap hook) to open, allowing the snap hook or carabiner to disengage from the connecting point.



Force is applied to the Snap Hook. The Gate presses against the Connecting Ring. The Gate opens allowing the Snap Hook to slip off.

**Figure 5 - Inappropriate Connections**

- A. To a D-ring to which another connector is attached.
- B. In a manner that would result in a load on the gate.

**NOTE:** Large throat opening snap hooks should not be connected to standard size D-rings or similar objects which will result in a load on the gate if the hook or D-ring twists or rotates. Large throat snap hooks are designed for use on fixed structural elements such as rebar or cross members that are not shaped in a way that can capture the gate of the hook.

- C. In a false engagement, where features that protrude from the snap hook or carabiner catch on the anchor, and without visual confirmation seems to be fully engaged to the anchor point.
- D. To each other.
- E. Directly to webbing or rope lanyard or tie-back (unless the manufacturer's instructions for both the lanyard and connector specifically allow such a connection).
- F. To any object which is shaped or dimensioned such that the snap hook or carabiner will not close and lock, or that roll-out could occur.
- G. In a manner that does not allow the connector to align properly while under load.

**2.4 CONNECTING SUBSYSTEMS:** Connecting subsystems (self-retracting lifeline, lanyard, rope grab and lifeline, cable sleeve) must be suitable for your application. See subsystem manufacturer's instructions for more information. Some harness models have web loop connection points. Do not use snap hooks to connect to web loops. Use a self-locking carabiner to connect to a web loop. Ensure the carabiner cannot cross-gate load (load against the gate rather than along the backbone of the carabiner).

**2.5 ANCHORAGE STRENGTH:** The anchorage strength required is dependent upon the application:

- A. **FALL ARREST (BACKUP SYSTEM):** Anchorages used for personal fall arrest systems must be capable of sustaining static loads in the directions permitted by the personal fall arrest system of at least: 3,600 lbs. (16 kN) with certification of a qualified person, or 5,000 lbs (22 kN). without certification. See ANSI Z359.1 for certification definition. When more than one personal fall arrest system is attached to an anchorage, the strengths stated above must be met at each anchorage location independently.

From OSHA 1926.500 and 1910.66: Anchorages used for attachment of personal fall arrest systems shall be independent of any anchorage being used to support or suspend platforms, and capable of supporting at least 5,000 lbs. per user attached, or be designed, installed, and used as part of a complete personal fall arrest systems which maintains a safety factor of at least two, and is under the supervision of a qualified person.

- B. **WORK POSITIONING:** The structure to which the work positioning system is attached must sustain static loads applied in the directions permitted by the work positioning system of at least 3,000 lbs., or twice the potential impact load, whichever is greater. See OSHA 1926.502. When more than one work positioning system is attached to an anchorage, the strengths stated above must be multiplied by the number of work positioning systems attached to the anchorage.

### 3.0 OPERATION AND USE

**WARNING:** Do not alter or intentionally misuse this equipment. Consult DBI-SALA when using this equipment in combination with components or subsystems other than those described in this manual. Some subsystem and component combinations may interfere with the operation of this equipment. Use caution when using this equipment around moving machinery, electrical hazards, chemical hazards, and sharp edges.

**WARNING:** Consult your doctor if there is reason to doubt your fitness to safely absorb the shock from a fall arrest. Age and fitness seriously affect a worker's ability to withstand falls. Pregnant women or minors must not use DBI-SALA Monkey Board Belts, Derrick Belts w/Monkey Board Belts, or fall arrest back-up systems.

**3.1 BEFORE EACH USE** of this equipment, carefully inspect it according to steps listed in section 5.0 of this manual.

**3.2 PLAN** your fall arrest and work positioning system before using this equipment. Consider all factors that will affect your safety during use of this equipment. Consider the following points when planning your system:

- A. ANCHORAGE:** Select a rigid anchor point that is capable of sustaining the loads specified in section 2.5. Select anchorage locations that will minimize free fall and swing fall hazards.
- B. FALL CLEARANCE (BACKUP FALL ARREST):** Ensure sufficient clearance exists in your fall path to prevent striking an object during a fall. The clearance required is dependent upon the subsystem (rope grab, lifeline and lanyard, self-retracting lifeline etc.) properties.
- C. SHARP EDGES:** Avoid working where your Monkey Board Belt, Derrick Belt, subsystem, or other system components will be in contact with, or abrade against, unprotected sharp edges. If working with this equipment around sharp edges is unavoidable, provide protection by using a heavy pad over the exposed sharp edge.
- D. RESCUE:** The employer must have a rescue plan and the ability to implement it.
- E. AFTER A FALL:** Components which have been subjected to fall arrest forces must be removed from service and destroyed.
- F. GENERAL USE CONSIDERATIONS:** Avoid working where your lifeline may cross or tangle with that of another worker. Do not allow your lifeline to pass under your arms or between your feet.

**Figure 6 - Properly Donned and Typical Usage**



**3.3 DONNING AND USE:** Derrick Belts and Monkey Board Belts are typically used in conjunction with a waist type belt to secure around the body. Pass the belt through the front pad assembly and secure it around the waist. Adjust the belt to a snug fit. The front pad/belt assembly should be located approximately waist high. Donning of separate fall arrest system body support (example: full body harness) is performed according to separate instructions for that item. Some products are designed specifically for use with special full body harnesses (example models 1000554 and 1000555). See Figure 6.

If a separate belt is used, follow manufacturer's instruction for securing and adjusting the belt.

**3.4 AFTER USE** of this equipment, clean and store it according to section 6.0 of this manual.

## 4.0 TRAINING

- 4.1 It is the responsibility of the user to assure they are familiar with these instructions, and are trained in the correct care and use of this equipment. User must also be aware of the operating characteristics, application limits, and the consequences of improper use of this equipment.

**WARNING:** Training must be conducted without exposing the trainee to a fall hazard. Training should be repeated on a periodic basis.

## 5.0 INSPECTION

### 5.1 FREQUENCY:

- **Before Each Use** inspect according to steps listed in section 5.2.
- **Annually:** This equipment must be inspected according to steps listed in section 5.2 by a competent person, other than the user, at least annually. Record the results of each inspection in the inspection and maintenance log in section 9.0, or use the inspection web portal if an **i-Safe™** RFID tag is present. If you are a registered i-Safe user, go to: [www.capitalsafety.com/isafe.html](http://www.capitalsafety.com/isafe.html). For more information contact a Customer Service representative in the US at 800-328-6146 or in Canada at 800-387-7484.

**IMPORTANT:** Extreme working conditions (harsh environments, prolonged use, etc.) may require increasing the frequency of inspections.

### 5.2 INSPECTION STEPS:

- Step 1.** Inspect the hardware (D-rings, buckles, tool snaps, etc.). These items must not be damaged, broken or distorted. These items must be free of sharp edges, burrs, cracks, worn parts, or corrosion. Hook gates must move freely and lock upon closing.
- Step 2.** Inspect webbing for concentrated wear. Material must be free of frayed strands, broken yarns, cuts, abrasions, burns, and discoloration. The webbing must be free of excessive soiling, paint build-up, and rust staining. Check for chemical or heat damage; indicated by brown, discolored, or brittle areas. Check for ultraviolet damage; indicated by discoloration and splinters and slivers along the webbing surface. All of the above factors are known to reduce strength. Damaged or questionable webbing should be removed from use.
- Step 3.** Inspect labels. All labels must be present and fully legible. See section 8.0.
- Step 4.** Inspect each system component or subsystem according to manufacturer's instructions.
- Step 5.** Record the inspection date and results in the inspection log in section 9.0.
- 5.3 If inspection reveals an unsafe or defective condition, remove the equipment from service and destroy it, or contact an authorized service center for repair.

## 6.0 MAINTENANCE, SERVICING, STORAGE

- 6.1 Clean the webbing with water and a mild detergent. Wipe hardware dry with a clean, dry cloth and hang to air dry. Do not force dry with heat. An excessive build-up of dirt, paint, etc. may in severe cases, weaken the webbing.
- 6.2 Additional maintenance and servicing procedures must be completed by an authorized service center. Authorization must be in writing. Do not disassemble this equipment.
- 6.3 Store the Monkey Board Belt and Derrick Belt in a cool, dry, clean environment, out of direct sunlight. Avoid areas where chemical vapors may be present. Thoroughly inspect the equipment after extended storage.

## 7.0 SPECIFICATIONS

### MATERIALS:

#### **Monkey Board Belts:**

**Webbing:** Polyester and nylon

**D-ring:** Forged, Alloy Steel w/roller

**Thread:** Polyester, size 346 and nylon, size 69

#### **Derrick Belt and suspenders w/Monkey Board Belts:**

**Webbing:** Polyester and nylon

**D-ring:** Forged, Alloy Steel w/roller

**D-ring:** Alloy Steel 5,000 lbs. tensile strength

**D-ring Assembly:** Alloy Steel

**Quick Snap:** Alloy Steel, 5,000 lbs. tensile strength

**Parachute Buckle:** Alloy Steel, 4,000 lbs. tensile strength

**Loop:** Tanera

**Rivet:** Brass

**Washer:** Brass

**Thread:** Polyester, size 346 and nylon, size 69

#### **Derrick Belt (tongue or pass buckle) w/Monkey Board Belts:**

**Webbing:** Polyester and nylon

**D-ring:** Alloy Steel

**Tongue Buckle:** Forged Alloy Steel, 4,000 lbs. tensile strength

**Pass Buckle:** Alloy Steel, 4,000 lbs. tensile strength

**Loop:** Plastic

**Rivet:** Brass

**Washer:** Brass

**Thread:** Polyester, size 346 and nylon, size 69

### MODELS:

This instruction applies to the following models:

1000490	1000544	1000557	1001301	1102350	1102858
1000491	1000545	1000570	1001302	1102351	1108430
1000500	1000546	1000572	1001303	1102352	1108431
1000501	1000547	1000573	1001304	1102353	1108432
1000502	1000551	1000580	1003220	1102354	1108433
1000503	1000552	1000650	1003221	1102355	1108434
1000504	1000553	1000651	1003222	1102854	
1000541	1000554	1000652	1003223	1102855	
1000542	1000555	1000653	1003224	1102856	
1000543	1000556	1001300	1003230	1102857	

*Additional model numbers may appear on the next printing of these instructions.*

## 8.0 LABELING

- 8.1** All Monkey Board Belts and Derrick Belts w/Monkey Board Belts and suspenders must have the following labels present and fully legible (including the following models not previously listed in this manual: 1000500, 1000503 and 1000504):

CAUTION - FOR USER

1. DO NOT alter this belt in any way.
2. Carefully inspect belt and attachments before each use.
3. Check with Rig Supervisor, Tool Pusher, Driller, or Safety Engineer for proper use.

**Caution Notes 1-3 Label**

4. Test belt and tail rope before each use.
5. Belts showing excessive wear or having missing parts should be destroyed and replaced.
6. Belt may be cleaned with warm water and a mild detergent.
7. For Monkey Board or rocking platform use only.

**Caution Notes 4-7 Label**

DO NOT REMOVE THIS LABEL	<p><b>SERIAL NO.</b> N° de série <b>XXXXXX</b></p> <p><b>INSPECTION LOG</b> Relevé d'inspection</p> <table border="1" style="width: 100%; border-collapse: collapse;"> <thead> <tr> <th style="width: 10%;">DATE</th> <th style="width: 10%;">INITIAL</th> <th style="width: 10%;"></th> <th style="width: 10%;"></th> <th style="width: 10%;"></th> <th style="width: 10%;"></th> <th style="width: 10%;"></th> <th style="width: 10%;"></th> <th style="width: 10%;"></th> <th style="width: 10%;"></th> </tr> </thead> <tbody> <tr><td> </td><td> </td><td> </td><td> </td><td> </td><td> </td><td> </td><td> </td><td> </td><td> </td></tr> <tr><td> </td><td> </td><td> </td><td> </td><td> </td><td> </td><td> </td><td> </td><td> </td><td> </td></tr> <tr><td> </td><td> </td><td> </td><td> </td><td> </td><td> </td><td> </td><td> </td><td> </td><td> </td></tr> <tr><td> </td><td> </td><td> </td><td> </td><td> </td><td> </td><td> </td><td> </td><td> </td><td> </td></tr> <tr><td> </td><td> </td><td> </td><td> </td><td> </td><td> </td><td> </td><td> </td><td> </td><td> </td></tr> <tr><td> </td><td> </td><td> </td><td> </td><td> </td><td> </td><td> </td><td> </td><td> </td><td> </td></tr> <tr><td> </td><td> </td><td> </td><td> </td><td> </td><td> </td><td> </td><td> </td><td> </td><td> </td></tr> <tr><td> </td><td> </td><td> </td><td> </td><td> </td><td> </td><td> </td><td> </td><td> </td><td> </td></tr> <tr><td> </td><td> </td><td> </td><td> </td><td> </td><td> </td><td> </td><td> </td><td> </td><td> </td></tr> <tr><td> </td><td> </td><td> </td><td> </td><td> </td><td> </td><td> </td><td> </td><td> </td><td> </td></tr> </tbody> </table>	DATE	INITIAL																																																																																																													950XXXX REV J
DATE	INITIAL																																																																																																															

**Inspection Label**


<p style="text-align: center;"><b>⚠ WARNING</b></p> <p>MANUFACTURER'S INSTRUCTIONS SUPPLIED WITH THIS PRODUCT AT TIME OF SHIPMENT MUST BE FOLLOWED. FAILURE TO DO SO COULD RESULT IN SERIOUS INJURY OR DEATH. CONTACT DB INDUSTRIES IF INSTRUCTION SHEET IS NEEDED. INSPECT BEFORE EACH USE; IF WEAR, DAMAGE EXIST, DO NOT USE. THIS SUSPENSION BELT IS INTENDED TO BE USED AS AN INDEPENDENT WORK SUPPORT, TO SUSPEND OR SUPPORT THE WORKER. (FEDERAL LAW REQUIRES USE OF A BACKUP FALL PROTECTION SYSTEM WITH SUSPENSION SEATS.) ITEMS SUBJECT TO IMPACT FORCES MUST BE IMMEDIATELY REMOVED FROM SERVICE AND DESTROYED. CONNECTING SNAP AND D-RING MUST BE COMPATIBLE IN SIZE, SHAPE AND STRENGTH. THIS ITEM IS NOT FLAME OR HEAT RESISTANT. REPAIRS ONLY TO BE PERFORMED BY DB INDUSTRIES. EQUIPMENT MODIFICATION OR MISUSE VOIDS WARRANTY.</p>	<p><b>DBI</b> <sup>®</sup> SUSPENSION BELT. <b>SALA</b> ANSÍ A10.14-1991 (TYPE II). POLYESTER WEB CONSTRUCTION. DO NOT REMOVE LABEL. MADE IN THE U.S.A.</p> <p>DBI/SALA, 3965 PEPIN AVE. RED WING, MN 55066, (800) 328-6146 <b>MFRD(YR/MO)/LOT: MODEL NO: SIZE:</b></p>
--	---

**ID Suspension Label**



**8.1 CONTINUED:**

All Derrick Belts w/Monkey Board Belts and tongue/pass buckles must have the following labels present and fully legible (including the following models not previously listed in this manual: 1000541, 1000542, 1000543, 1000546, 1000547, 1000551, 1000552, 1000553, and 1000556):

 <p>www.capitalsafety.com USA: (800) 328-6146</p>	<p style="text-align: center;"><b>⚠ WARNING</b></p> <p>MANUFACTURER'S INSTRUCTIONS MUST BE READ AND UNDERSTOOD PRIOR TO USE. INSTRUCTIONS SUPPLIED WITH THIS PRODUCT AT TIME OF SHIPMENT MUST BE FOLLOWED. FAILURE TO DO SO COULD RESULT IN SERIOUS INJURY OR DEATH. INSPECT BEFORE EACH USE. IF WEAR OR DAMAGE EXISTS, DO NOT USE. THIS BODY BELT IS INTENDED TO BE USED TO RESTRAIN A WORKER FROM REACHING A HAZARD OR TO PROVIDE WORK SUPPORT ONCE THE USER REACHES A WORK POSITION. DO NOT USE FOR FALL ARREST. ITEMS SUBJECT TO IMPACT LOADING MUST BE IMMEDIATELY REMOVED FROM SERVICE AND DESTROYED. MAKE ONLY COMPATIBLE CONNECTIONS. THIS ITEM IS NOT FLAME OR HEAT RESISTANT. REPAIRS OF THIS PRODUCT MAY ONLY BE PERFORMED BY DBI. EQUIPMENT MODIFICATION OR MISUSE VOIDS WARRANTY. DO NOT REMOVE THIS LABEL.</p>	<p>BODY BELT. POLYESTER WEB.      MADE IN THE USA</p> <p><b>PRODUCT COMPLIANCE</b> THIS PRODUCT COMPLIES WITH THE FOLLOWING STANDARDS ONLY IF MARKED WITH THE CORRESPONDING LETTER CODE UNDER "SIZE" SECTION BELOW. A = ANSI Z359.1 B = OSHA C = ANSI A10.32-2004 D = ASTM F887-2004 E =</p> <p><b>MFRD#</b>:    <b>LOT</b>:    <b>MODEL NO</b>:    <b>SIZE</b>:    <b>STDS</b>:</p>
--	--	--

9501151 REV Y

**ID Body Belt Label**

<p style="writing-mode: vertical-rl; transform: rotate(180deg);"><b>DO NOT REMOVE THIS LABEL</b></p> <table border="1" style="width: 100%; height: 100%; border-collapse: collapse;"> <tr><td style="width: 10%; height: 20px;"></td><td style="width: 10%; height: 20px;"></td><td style="width: 10%; height: 20px;"></td><td style="width: 10%; height: 20px;"></td><td style="width: 10%; height: 20px;"></td><td style="width: 10%; height: 20px;"></td><td style="width: 10%; height: 20px;"></td><td style="width: 10%; height: 20px;"></td><td style="width: 10%; height: 20px;"></td><td style="width: 10%; height: 20px;"></td></tr> <tr><td style="width: 10%; height: 20px;"></td><td style="width: 10%; height: 20px;"></td><td style="width: 10%; height: 20px;"></td><td style="width: 10%; height: 20px;"></td><td style="width: 10%; height: 20px;"></td><td style="width: 10%; height: 20px;"></td><td style="width: 10%; height: 20px;"></td><td style="width: 10%; height: 20px;"></td><td style="width: 10%; height: 20px;"></td><td style="width: 10%; height: 20px;"></td></tr> </table>																					<p style="text-align: right;"><b>SERIAL NO.</b> N° de serie <b>XXXXXX</b></p> <p style="text-align: right;"><b>INSPECTION LOG</b> Relevé d'inspection</p> <table border="1" style="width: 100%; border-collapse: collapse;"> <tr> <td style="width: 10%; font-size: small;">DATE</td> <td style="width: 10%; font-size: small;">INITIAL</td> <td style="width: 80%;"></td> </tr> </table>	DATE	INITIAL		<p style="text-align: right; font-size: small;">950XXXXX REV J</p>
DATE	INITIAL																								

**Inspection Label**





## LIMITED LIFETIME WARRANTY

**Warranty to End User:** D B Industries, Inc., dba CAPITAL SAFETY USA ("CAPITAL SAFETY") warrants to the original end user ("End User") that its products are free from defects in materials and workmanship under normal use and service. This warranty extends for the lifetime of the product from the date the product is purchased by the End User, in new and unused condition, from a CAPITAL SAFETY authorized distributor. CAPITAL SAFETY'S entire liability to End User and End User's exclusive remedy under this warranty is limited to the repair or replacement in kind of any defective product within its lifetime (as CAPITAL SAFETY in its sole discretion determines and deems appropriate). No oral or written information or advice given by CAPITAL SAFETY, its distributors, directors, officers, agents or employees shall create any different or additional warranties or in any way increase the scope of this warranty. CAPITAL SAFETY will not accept liability for defects that are the result of product abuse, misuse, alteration or modification, or for defects that are due to a failure to install, maintain, or use the product in accordance with the manufacturer's instructions.

CAPITAL SAFETY'S WARRANTY APPLIES ONLY TO THE END USER. THIS WARRANTY IS THE ONLY WARRANTY APPLICABLE TO OUR PRODUCTS AND IS IN LIEU OF ALL OTHER WARRANTIES AND LIABILITIES, EXPRESSED OR IMPLIED. CAPITAL SAFETY EXPRESSLY EXCLUDES AND DISCLAIMS ANY IMPLIED WARRANTIES OF MERCHANTABILITY OR FITNESS FOR A PARTICULAR PURPOSE, AND SHALL NOT BE LIABLE FOR INCIDENTAL, PUNITIVE OR CONSEQUENTIAL DAMAGES OF ANY NATURE, INCLUDING WITHOUT LIMITATION, LOST PROFITS, REVENUES, OR PRODUCTIVITY, OR FOR BODILY INJURY OR DEATH OR LOSS OR DAMAGE TO PROPERTY, UNDER ANY THEORY OF LIABILITY, INCLUDING WITHOUT LIMITATION, CONTRACT, WARRANTY, STRICT LIABILITY, TORT (INCLUDING NEGLIGENCE) OR OTHER LEGAL OR EQUITABLE THEORY.



The Ultimate in Fall Protection

### **CSG USA & Latin America**

3833 SALA Way  
Red Wing, MN 55066-5005  
Toll Free: 800.328.6146  
Phone: 651.388.8282  
Fax: 651.388.5065  
solutions@capitalsafety.com

### **CSG Canada**

260 Export Boulevard  
Mississauga, ON L5S 1Y9  
Phone: 905.795.9333  
Toll-Free: 800.387.7484  
Fax: 888.387.7484  
info.ca@capitalsafety.com

### **CSG Northern Europe**

5a Merse Road  
North Moons, Moat  
Reditch, Worcestershire, UK  
B98 9HL  
Phone: + 44 (0)1527 548 000  
Fax: + 44 (0)1527 591 000  
csgne@capitalsafety.com

### **CSG EMEA (Europe, Middle East, Africa)**

Le Broc Center  
Z.I. 1ère Avenue  
5600 M B.P. 15 06511  
Carros  
Le Broc Cedex  
France  
Phone: + 33 4 97 10 00 10  
Fax: + 33 4 93 08 79 70  
information@capitalsafety.com

### **CSG Australia & New Zealand**

95 Derby Street  
Silverwater  
Sydney NSW 2128  
AUSTRALIA  
Phone: +(61) 2 8753 7600  
Toll-Free : 1 800 245 002 (AUS)  
Toll-Free : 0800 212 505 (NZ)  
Fax: +(61) 2 87853 7603  
sales@capitalsafety.com.au

### **CSG Asia**

*Singapore:*  
16S, Enterprise Road  
Singapore 627666  
Phone: +65 - 65587758  
Fax: +65 - 65587058  
inquiry@capitalsafety.com

### *Shanghai:*

Rm 1406, China Venturetech Plaza  
819 Nan Jing Xi Rd,  
Shanghai 200041, P R China  
Phone: +86 21 62539050  
Fax: +86 21 62539060

[www.capitalsafety.com](http://www.capitalsafety.com)

