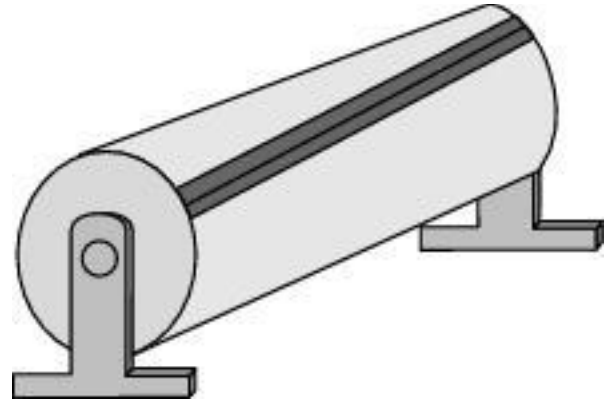
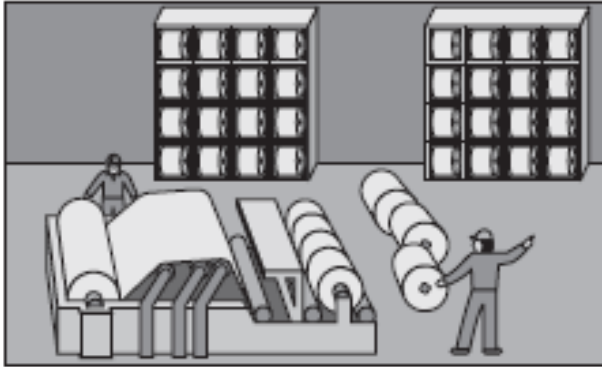




Application Profile #9

Market: Web Processing in Paper Mills and Paper Converters

Application Description: Butt splices at single drum winder



Key Application Requirements

Butt splices are recommended for splices in light weight papers which have caliper restrictions in downstream paper processing operations.

Advantages/Benefits to Customer

High shear strength: 3M™ Printable Repulpable Single Coated Splicing Tape 9969 uses a firm adhesive that will not slip at high web tensions, potentially leaving exposed adhesive. This helps reduce web breakage caused by adhesive “blocking.”

Heat resistant: Withstands high oven temperatures typically associated with web printing, which helps reduce down time due to splice failure.

Fewer tapes: No application tape is required on the drum.

Repulpable: Both 3M tape and white liner pass TAPPI method UM-213. There is no need to separate splice from waste, helping to save labor.

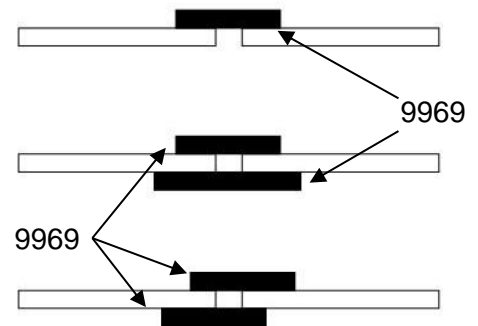
FDA compliant adhesive: Tape can be used on most food grade papers.

Application Method

By hand.

RECOMMENDED PRODUCT

3M™ Printable Repulpable Single Coated Splicing Tape 9969 on light weight papers.



Process

Half of the 3M™ Printable Repulpable Single Coated Splicing Tape 9969 is placed under the edge of paper at the point where the defect was removed (adhesive side up). The leading edge of paper from the next roll of paper is then pressed on top of the remaining half of the 3M tape adhesive forming a butt splice. The excess paper is removed and the seam covered with a repulpable cover tape.

Key Decision Makers

Production Managers and Supervisors
Finishing Superintendents
Quality Manager
Purchasing



Application Profile #9

Related Splicing Tapes

Product	Paper Type	Caliper mils (mm)	Color	FDA* Compliant
3M™ Printable Repulpable Single Coated Splicing Tape 9103	Coated and uncoated	4.5 (0.11)	Blue	yes
3M™ Thin Printable Repulpable Single Coated Splicing Tape 9960	Coated and uncoated	2.2 (0.06)	Blue	yes
3M™ Thin Printable Repulpable Single Coated Splicing Tape 9969	Coated and uncoated	2.2 (0.06)	Blue or white	yes
3M™ Repulpable Single Coated Splicing Tape 901	Uncoated	4.0 (0.10)	White paper green adhesive	no

* All components of the adhesive and backing meet the requirements of indirect food additive regulations as described under CFR 21 176.170 (Components of paper and paperboards in contact with aqueous and fatty food) and 21 CFR 176.180 (Components of paper and paperboards in contact with dry foods).

Product Use:

Many factors beyond 3M's control and uniquely within user's knowledge and control can affect the use and performance of a 3M product in a particular application. Given the variety of factors that can affect the use and performance of a 3M product, user is solely responsible for evaluating the 3M product and determining whether it is fit for a particular purpose and suitable for user's method of application

Warranty, Limited Remedy, and Disclaimer

Unless an additional warranty is specifically stated on the applicable 3M product packaging or product literature, 3M warrants that each 3M product meets the applicable 3M product specification at the time 3M ships the product. 3M MAKES NO OTHER WARRANTIES OR CONDITIONS, EXPRESS OR IMPLIED, INCLUDING, BUT NOT LIMITED TO, ANY IMPLIED WARRANTY OR CONDITION OF MERCHANTABILITY OR FITNESS FOR A PARTICULAR PURPOSE OR ANY IMPLIED WARRANTY OR CONDITION ARISING OUT OF A COURSE OF DEALING, CUSTOM OR USAGE OF TRADE. If the 3M product does not conform to this warranty, then the sole and exclusive remedy is, at 3M's option, replacement of the 3M product or refund of the purchase price.

Limitation of Liability

Except where prohibited by law, 3M will not be liable for any loss or damage arising from the 3M product, whether direct, indirect, special, incidental or consequential, regardless of the legal theory asserted, including warranty, contract, negligence or strict liability



Industrial Adhesives and Tapes Division
3M Center, Building 225-3S-06
St. Paul, MN 55144-1000
800-362-3550 • 877-369-2923 (fax)
www.3M.com/IATD



Recycled Paper
40% pre-consumer
10% post-consumer

3M is a trademark of 3M Company
Printed in U.S.A
©3M 2017