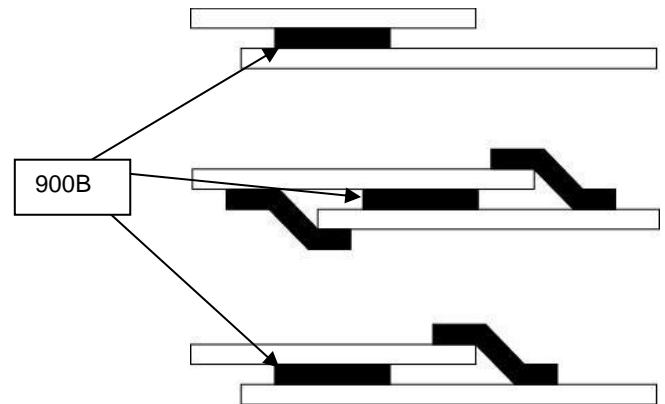
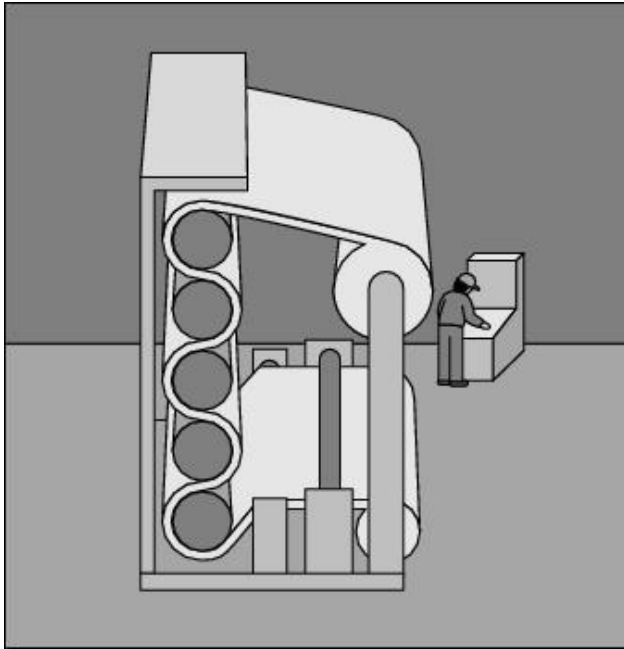


3M Application Profile #7

Market: Web Processing in Paper Mills and Paper Converters

Application Description: Overlap Splices at the Supercalender



RECOMMENDED PRODUCTS

3M™ Repulpable Double Coated Splicing Tape 900B

Key Application Requirements

High shear and temperature resistance are required for this application. Tape must not slip or bleed through the paper under extreme pressures.

Advantages/Benefits to Customer

High shear strength: 3M™ Repulpable Double Coated Splicing Tape 900B, has a firm adhesive that will not slip at high web tensions, potentially leaving exposed adhesive. This helps reduce web breakage caused by adhesive “blocking.”

Repulpable: Both 3M tape and liner pass TAPPI method UM-213. There is no need to separate splice from waste, helping to save labor.

High temperature adhesive; withstands high oven temperatures up to 400°F, helping to save money by reducing down time due to splice failure.

Process

3M™ Repulpable Double Coated Splicing Tape 900B is pressed into place across the trailing edge of paper at the beginning of the roll. The leading edge of paper from the next roll of paper is then pressed on top of the 3M tape, forming an overlap splice.

Application Method

By hand.

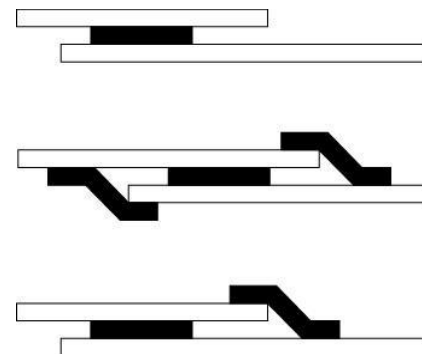
Key Decision Makers

Finishing Superintendents
Production Managers and Supervisors
Purchasing

3M Application Profile #7

Recommended Splicing Tapes By Paper Basis Weight

Coated and Uncoated Paper	Tape	Cover tape
< 50# (81 gsm)	900B*	optional
50# - 100# (81 – 162 gsm)	900B*	9960*
> 100# (162 gsm)	900B*	9103*



Related Splicing Tapes

- 3M™ Repulpable Double Coated Splicing Tape 405 (for uncoated papers)

Related Cover Tapes

- 3M™ Thin Printable Repulpable Single Coated Splicing Tape 9960* (for coated papers)
- 3M™ Repulpable Printable Single Coated Splicing Tape 9103* (for coated papers)
- 3M™ Repulpable Single Coated Splicing Tape 901 (for uncoated papers)

* All components of the adhesive and backing meet the requirements of indirect food additive regulations as described under CFR 21 176.170 (Components of paper and paperboards in contact with aqueous and fatty food) and 21 CFR 176.180 (Components of paper and paperboards in contact with dry foods).

Product Use:

Many factors beyond 3M's control and uniquely within user's knowledge and control can affect the use and performance of a 3M product in a particular application. Given the variety of factors that can affect the use and performance of a 3M product, user is solely responsible for evaluating the 3M product and determining whether it is fit for a particular purpose and suitable for user's method of application

Warranty, Limited Remedy, and Disclaimer

Unless an additional warranty is specifically stated on the applicable 3M product packaging or product literature, 3M warrants that each 3M product meets the applicable 3M product specification at the time 3M ships the product. 3M MAKES NO OTHER WARRANTIES OR CONDITIONS, EXPRESS OR IMPLIED, INCLUDING, BUT NOT LIMITED TO, ANY IMPLIED WARRANTY OR CONDITION OF MERCHANTABILITY OR FITNESS FOR A PARTICULAR PURPOSE OR ANY IMPLIED WARRANTY OR CONDITION ARISING OUT OF A COURSE OF DEALING, CUSTOM OR USAGE OF TRADE. If the 3M product does not conform to this warranty, then the sole and exclusive remedy is, at 3M's option, replacement of the 3M product or refund of the purchase price.

Limitation of Liability

Except where prohibited by law, 3M will not be liable for any loss or damage arising from the 3M product, whether direct, indirect, special, incidental or consequential, regardless of the legal theory asserted, including warranty, contract, negligence or strict liability



Industrial Adhesives and Tapes Division

3M Center, Building 225-3S-06
 St. Paul, MN 55144-1000
 800-362-3550 • 877-369-2923 (fax)
 www.3M.com/IATD



Recycled Paper
 40% pre-consumer
 10% post-consumer

3M is a trademark of 3M Company
 Printed in U.S.A.
 ©3M 2016