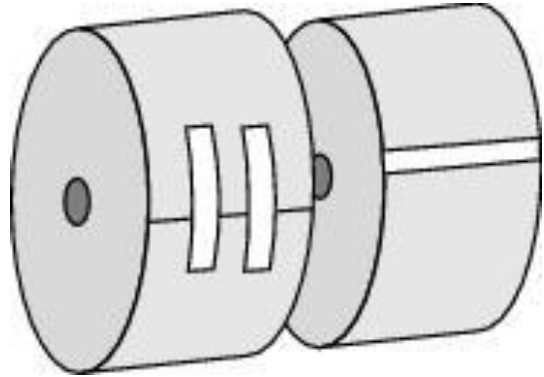
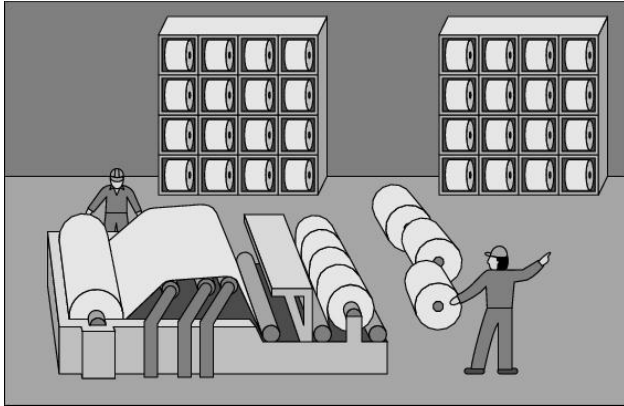


3M Application Profile #5

Market: Web Processing in Paper Mills and Paper Converters
Application Description: Roll Closing / Tapping on the Re-reeler, Off Machine Coater, Supercalender and Winder



Key Application Requirements

High tack repulpable adhesive, on a high strength extendible backing to hold rolls closed through automatic roll handling equipment.

Advantages/Benefits to Customer

High tack: Keeps paper neatly positioned.

Strong extensible backing: The tape backing will not break during the transport of the roll on automatic roll handling equipment.

Quality roll closing: High strength and immediate adhesion of 3M™ Strong Single Coated Repulpable Tape R3187 helps provide quality roll closing at maximum set change speed.

Available in blue, white and kraft colors: Allows for color matching to paper.

Reliable: 3M tapes provide an excellent bond to the paper roll to help prevent opening during shipping and storage.

Repulpable: 3M tape pass TAPPI method UM-213. There is no need to separate splice from waste, helping to save labor.

FDA compliant adhesive: Tape can be used on most food grade papers.

RECOMMENDED PRODUCT

3M™ Repulpable Strong Single Coated Tape R3187

Process

One or more strips of 3M™ Strong Single Coated Repulpable Tape R3187 are applied on the trailing edge of the paper to close the roll.

Application Method

By hand.

Key Decision Makers

Production Managers and Supervisors
Finishing Superintendents
Purchasing

Recommended Tapes

- 3M™ Repulpable Strong Single Coated Tape R3187
- 3M™ Repulpable Repulpable Flatback Tape R3127
- 3M™ Repulpable Super Strength Single Coated Tape R3177

Related Application Ideas

Core starting at the winders.

3M Application Profile #5

Product Comparison

Product	Color	Caliper mills (mm)	Tensile Strength lbs/in	Comments
3M™ Repulpable Repulpable Flatback Tape R3127	Blue White Kraft	4.5 (0.11)	28	<ul style="list-style-type: none"> Economical choice for tissue, paper towels, and lightweight papers like newsprint Snappable flatback construction with no stretch backing
3M™ Repulpable Super Strength Single Coated Tape R3177	Blue White Red	7.0 (0.16)	42	<ul style="list-style-type: none"> For all your toughest applications with high memory grades such as paperboard, linerboard, and fluff pulp and food packing Toughest tape in the line Best stretch and conformability
3M™ Repulpable Strong Single Coated Tape R3187	Blue White Kraft	7.5 (0.19)	34	<ul style="list-style-type: none"> All around multi-purpose tape combining an extensible backing with economy for multiple grade mills For coated and uncoated papers, printing & writing and specialty grades

Product Use:

Many factors beyond 3M's control and uniquely within user's knowledge and control can affect the use and performance of a 3M product in a particular application. Given the variety of factors that can affect the use and performance of a 3M product, user is solely responsible for evaluating the 3M product and determining whether it is fit for a particular purpose and suitable for user's method of application

Warranty, Limited Remedy, and Disclaimer

Unless an additional warranty is specifically stated on the applicable 3M product packaging or product literature, 3M warrants that each 3M product meets the applicable 3M product specification at the time 3M ships the product. 3M MAKES NO OTHER WARRANTIES OR CONDITIONS, EXPRESS OR IMPLIED, INCLUDING, BUT NOT LIMITED TO, ANY IMPLIED WARRANTY OR CONDITION OF MERCHANTABILITY OR FITNESS FOR A PARTICULAR PURPOSE OR ANY IMPLIED WARRANTY OR CONDITION ARISING OUT OF A COURSE OF DEALING, CUSTOM OR USAGE OF TRADE. If the 3M product does not conform to this warranty, then the sole and exclusive remedy is, at 3M's option, replacement of the 3M product or refund of the purchase price.

Limitation of Liability

Except where prohibited by law, 3M will not be liable for any loss or damage arising from the 3M product, whether direct, indirect, special, incidental or consequential, regardless of the legal theory asserted, including warranty, contract, negligence or strict liability

3M
Industrial Adhesives and Tapes Division
 3M Center, Building 225-3S-06
 St. Paul, MN 55144-1000
 800-362-3550 • 877-369-2923 (fax)
 www.3M.com/IATD



Recycled Paper
 40% pre-consumer
 10% post-consumer

3M is a trademark of 3M Company
 Printed in U.S.A.
 ©3M 2016