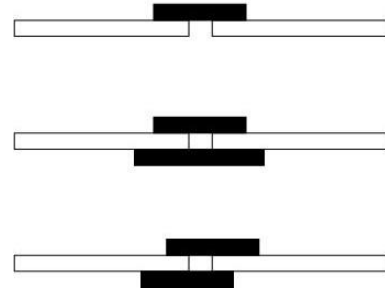
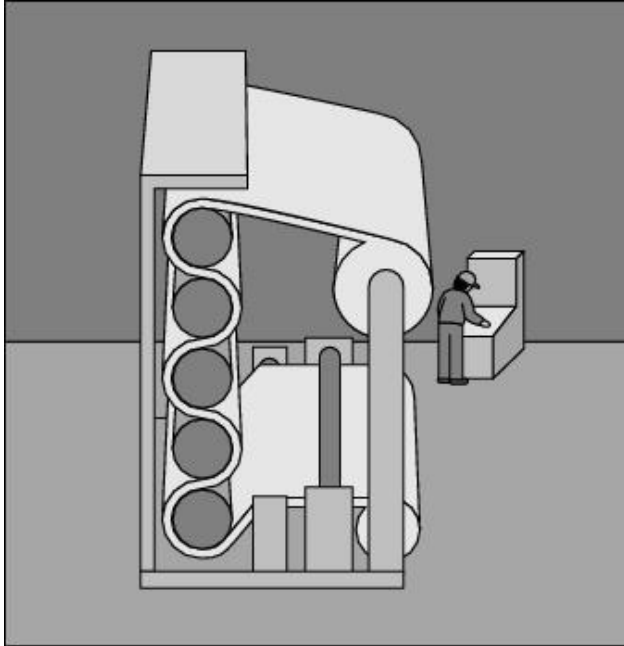


3M Application Profile #6

Market: Web Processing in Paper Mills and Paper Converters

Application Description: Butt Splices at the Supercalender



RECOMMENDED PRODUCT

3M™ Printable Repulpable Single Coated Splicing Tape 9103 Split Liner with cover tape such as 3M™ Repulpable Single Coated Splicing Tape 9960

Key Application Requirements

Butt splices are recommended for splices which have caliper restrictions in processing operations.

Advantages/Benefits to Customer

High shear strength: 3M™ Printable Repulpable Single Coated Splicing Tape 9103 uses a firm adhesive that will not slip at high web tensions, potentially leaving exposed adhesive. This helps reduce web breakage caused by adhesive “blocking.”

Repulpable: Both 3M tape and liner pass TAPPI method UM-213. There is no need to separate splice from waste, helping to save labor.

High temperature adhesive: Withstands high process temperatures up to 400°F, helping to save money by reducing down time due to splice failure.

Ideal for heavy or lightweight papers: Butt splices using 3M™ Printable Repulpable Single Coated Splicing Tape 9103 are ideal where overlap splices are too thick.

Process

Half of the 3M™ Printable Repulpable Single Coated Splicing Tape 9103 is placed under the edge of paper (adhesive side up). The leading edge of paper from the next roll of paper is then pressed on top of the remaining half of the 3M tape adhesive forming a butt splice. The excess paper is removed and the seam covered with a repulpable cover tape.

FDA Compliant Adhesives: Tape can be used on most food grade papers.

Application Method

By hand.

Key Decision Makers

Finishing Superintendents
Production Managers and Supervisors
Purchasing

3M Application Profile #6

Recommended Splicing Tapes

Product	Paper Type	Caliper mils (mm)	Color	FDA* Compliant
3M™ Printable Repulpable Single Coated Splicing Tape 9103 Split Liner	Coated and uncoated	4.5 (0.11)	Blue	yes
3M™ Repulpable Single Coated Splicing Tape 9960	Coated and uncoated	2.2 (0.06)	Blue	yes

Related Splicing Tapes

Product	Paper Type	Caliper mils (mm)	Color	FDA* Compliant
3M™ Thin Printable Repulpable Single Coated Splicing Tape 9969	Coated and uncoated	2.2 (0.06)	Blue or White	yes
3M™ Printable Repulpable Single Coated Splicing Tape 901	Uncoated	4.0 (0.10)	White paper with green adhesive	no

* All components of the adhesive and backing meet the requirements of indirect food additive regulations as described under CFR 21 176.170 (Components of paper and paperboards in contact with aqueous and fatty food) and 21 CFR 176.180 (Components of paper and paperboards in contact with dry foods).

Product Use: Many factors beyond 3M's control and uniquely within user's knowledge and control can affect the use and performance of a 3M product in a particular application. Given the variety of factors that can affect the use and performance of a 3M product, user is solely responsible for evaluating the 3M product and determining whether it is fit for a particular purpose and suitable for user's method of application

Warranty, Limited Remedy, and Disclaimer Unless an additional warranty is specifically stated on the applicable 3M product packaging or product literature, 3M warrants that each 3M product meets the applicable 3M product specification at the time 3M ships the product. 3M MAKES NO OTHER WARRANTIES OR CONDITIONS, EXPRESS OR IMPLIED, INCLUDING, BUT NOT LIMITED TO, ANY IMPLIED WARRANTY OR CONDITION OF MERCHANTABILITY OR FITNESS FOR A PARTICULAR PURPOSE OR ANY IMPLIED WARRANTY OR CONDITION ARISING OUT OF A COURSE OF DEALING, CUSTOM OR USAGE OF TRADE. If the 3M product does not conform to this warranty, then the sole and exclusive remedy is, at 3M's option, replacement of the 3M product or refund of the purchase price.

Limitation of Liability Except where prohibited by law, 3M will not be liable for any loss or damage arising from the 3M product, whether direct, indirect, special, incidental or consequential, regardless of the legal theory asserted, including warranty, contract, negligence or strict liability

3M
Industrial Adhesives and Tapes Division
 3M Center, Building 225-3S-06
 St. Paul, MN 55144-1000
 800-362-3550 • 877-369-2923 (fax)
 www.3M.com/IATD



Recycled Paper
 40% pre-consumer
 10% post-consumer

3M is a trademark of 3M Company
 Printed in U.S.A.
 ©3M 2016