

 **Speedglas**™



Adflo PAPR



9100



9100-Air



9100 FX



9100 FX-Air



9100 MP



Fresh-air III SAR



SL



100 Series



3M Welding Helmet 10



3M Headgear L-Series SG



3M Faceshield ClearVisor

PRODUCT OVERVIEW

# 3M Welding PPE Presentation



# Product overview

## Welding Helmet Options

Options	3M™ Speedglas™ Welding Helmet 9100 Series and 3M™ Headgear L-Series SG	3M™ Speedglas™ Welding Helmet SL	3M™ Speedglas™ Welding Helmet 100 series	3M™ Welding Helmet 10
Welding Filters	 <p>9100XXi    9100XX    9100X    9100V    9100 Passive</p>	 <p>SL</p>	 <p>100V    100S-10    100S-11</p>	 <p>10V</p>
Welding Helmets				

Options	With Hard Hat (Non-Air)	With 3M™ Adflo™ Powered Air Purifying Respirator	With 3M™ Speedglas™ Fresh Air III Supplied Air Regulator
Welding Helmet Systems			

## 3M™ Speedglas™ Fresh-air III Supplied Air Regulator

Lightweight, belt-mounted regulator allows you to regulate airflow from a supplied air source and cool (V-100) or heat (V-200) the air entering the headgear by as much as 50°F (28°C). Ideal for extreme temperature work environments.



Offers Assigned Protection Factor (APF) of 25 with Speedglas welding helmets and L-705SG headgear and APF 1000 with L-905SG headgear when used as a NIOSH-approved system.

Shown here: 3M™ Supplied Air Respirator Vortex Cooling Assembly, V-100

FEATURES

TECHNICAL FACTS

COMPATIBILITY

ACCESSORIES

PARTS LIST

## 3M™ Speedglas™ Fresh-air III Supplied Air Regulator

Technical Specifications	3M™ Speedglas™ Fresh-air III Regulator
Airflow	6-15 CFM
Air Pressure	Varies with hose length. See product user instructions. V-100/200: 62-91 psig V-300: 30-63 psig V-400: 6-15 psig
<b>Weight (Approx):</b> Valve (without pad or belt)	V-100: 12.3 oz V-200: 14.8 oz V-300: 9.5 oz V-400: 7.5 oz
<b>Belt:</b>	Cotton, up to 43 in.
<b>Temperature range:</b> Operation Storage	23°F to 131°F -4°F to 131°F

# 3M™ Speedglas™ Fresh-air III Supplied Air Regulator



V-400\*



\* V-400 low pressure connection assembly is only compatible with air hose W-3020-50. It is compatible with the same breathing tubes and adaptors as listed for V-100 / V-200 / V-300 above.

FEATURES

TECHNICAL FACTS

COMPATIBILITY

ACCESSORIES

PARTS LIST

# 3M™ Speedglas™ Fresh-air III Supplied Air Regulator



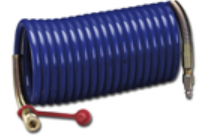
**L-199SG**  
High temperature breathing tube cover (for use with L-122SG breathing tube)



**SG-15**  
Flame resistant breathing tube cover (for use with SG-30W/SG-40W breathing tubes)



**W-9435-25** High pressure air supply hose 25 ft  
**W-9435-50** High pressure air supply hose 50 ft  
**W9435-100** High pressure air supply hose 100 ft



**W-2929-25** High pressure air supply hose 25 ft  
**W-2929-50** High pressure air supply hose 50 ft  
**W-2929-100** High pressure air supply hose 100 ft



**W-3020-50**  
Low pressure air supply hose 50 ft



**W-2806** Filter and Regulator Panel  
**W-2808** CO Monitor Retrofit Kit (not shown)



**256-02-00**  
Portable Filter and Regulator Panel

FEATURES

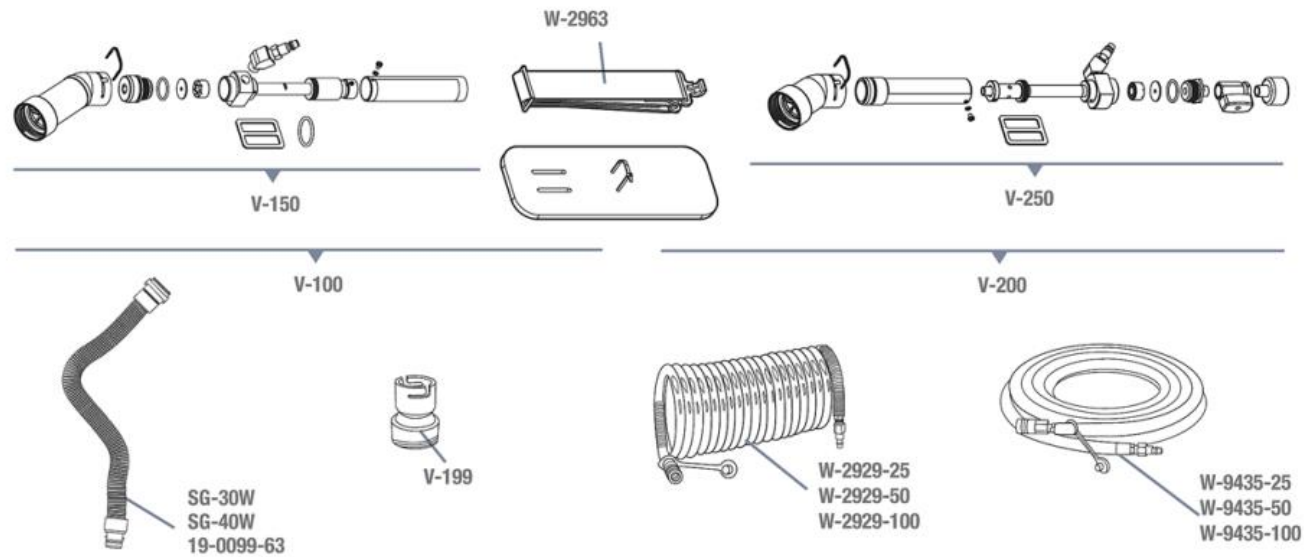
TECHNICAL FACTS

COMPATIBILITY

ACCESSORIES

PARTS LIST

# 3M™ Speedglas™ Fresh-air III Supplied Air Regulator





### Personal Safety Division

3M Center, Building 235-2W-70

St. Paul, MN 55144-1000

USA

Phone 1-800-328-1667

Web [www.3M.com/workersafety](http://www.3M.com/workersafety)

3M PSD products are occupational use only.

3M Personal Safety  
Service & Technical Support Center

1-800-243-4630 or visit [www.3M.com/workersafety](http://www.3M.com/workersafety)

**For a complete listing of parts, visit us at:  
[www.3M.com/weldingsafety](http://www.3M.com/weldingsafety)**

**Note:** Welding can create a variety of harmful fumes and gases. When engineering controls are impractical, respirators may be required to help reduce exposures to these airborne welding contaminants.

3M, Speedglas and Adflo are trademarks of 3M. Used under license in Canada.

Please recycle. Printed in U.S.A. © 3M 2016.



### **⚠WARNING**

These respirators help protect against certain airborne contaminants. Before use, the wearer must read and understand the User Instructions provided as a part of the product packaging. A written respiratory protection program must be implemented meeting all the requirements of OSHA 1910.134 including training, fit testing and medical evaluation. In Canada, CSA standards Z94.4 requirements must be met and/or requirements of the applicable jurisdiction, as appropriate. Misuse may result in sickness or death. For proper use, see packaging instructions, supervisor, or call 3M OH&ESD Technical Service in USA at 1-800-243-4630 and in Canada at 1-800-267-4414.

### **⚠WARNING**

This product is designed to help protect the wearer's eyes and face from harmful radiation including visible light, ultra-violet radiation (UV), infra-red radiation (IR), sparks and spatter resulting from welding processes. These products must be used only by qualified persons who are properly trained in their use and maintenance. Misuse may result in permanent eye injury and vision loss. Always wear ANSI Z87.1 compliant safety spectacles in addition to any welding helmet. For proper use, see supervisor, or User Instructions or call 3M in U.S.A. 1-800-243-4630. In Canada, call Technical Service at 1-800-267-4414.