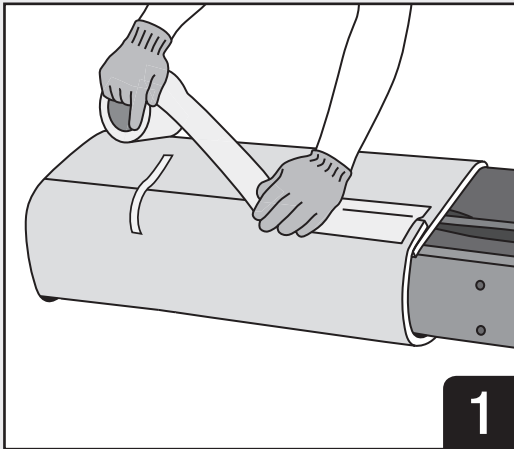
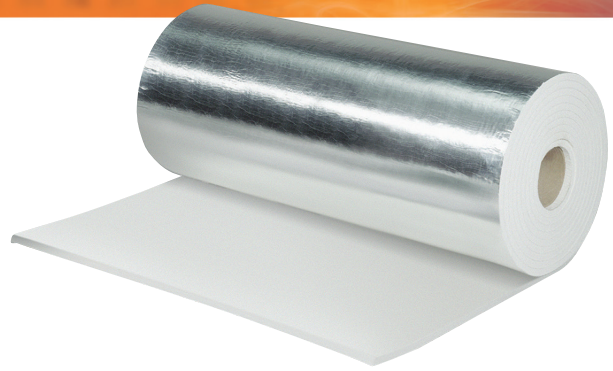


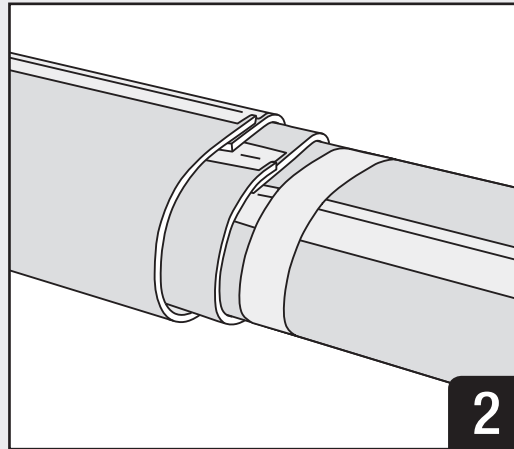
Installation Guide

June 2015

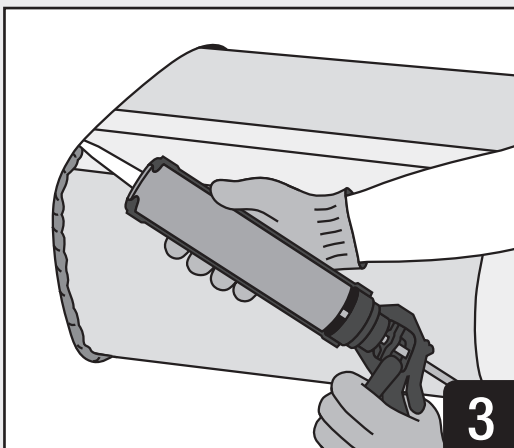
3M™ Interam™ Endothermic Mat E-5A-4



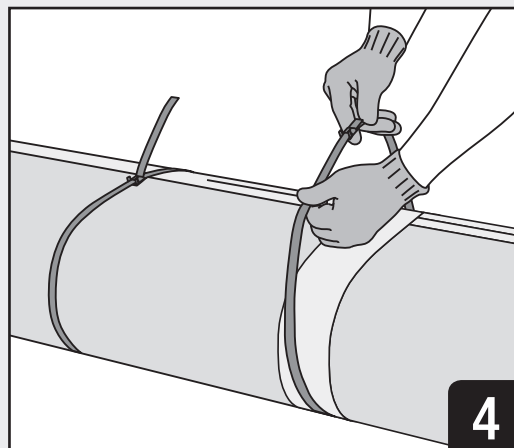
1
At the opening, install 3M™ Interam™ Endothermic Mat E-5A-4 in a single width mat around the protected item, tightly butted up to the opening. Overlap the cut edge a minimum of 50mm. Close all cut edges with 3M™ Aluminum Foil Tape 425. E-Mat may be temporarily retained with 19mm wide filament tape.



2
Install subsequent sections of mat, tightly butted up to preceding section, but still maintaining the overlap onto the cut edge a minimum of 50mm. Install additional layers, as required per system specifications, making sure to stagger joints a minimum of 50mm. Close all cut edges with 3M™ Aluminum Foil Tape. E-Mat may be temporarily retained with 19mm wide filament tape.



3
Fill any gaps to the depth of the E-Mat with 3M™ Fire Barrier Sealant CP 25WB+ or 3M™ Fire Barrier Water Tight Sealant 3000 WT Sealant. Fill annular space in any through-penetration scenario as per system specifications. Close all filled gaps, joints between sections, and overlapping sections with 3M™ Aluminum Foil Tape.



4
Tightly clamp minimum 13mm wide steel retention bands around E-Mat. Bands to be positioned 25mm from each joint and at the center of each width of E-Mat.

Installation Guide

This installation guide highlights requirements for 3M™ Interam™ Endothermic Mat E-5A-4 for firestopping with protective wrap systems. This guide is intended only to highlight general steps or methods and is not intended to describe all details and requirements. System specifications should comply with local and federal regulations. Examples of system specifiers include UL, Intertek, and European Technical Approvals and Assessments. Installer should confirm that the field conditions (such as opening size, pipe size and material, insulation type and thickness, and annular space) comply with the system specifications.

Repair Procedure in Case of Damage

Damaged seals shall be removed and replaced.

Precautionary Information

Refer to product label and Safety Data Sheet for health and safety information before using the product.

For information please contact your local 3M Office. www.3M.com/SDS

Important Notice to User:

Technical Information: The technical information, recommendations and other statements contained in this document are based upon tests or experience that 3M believes are reliable, but the accuracy or completeness of such information is not guaranteed.

Product Use: Many factors beyond 3M's control and uniquely within user's knowledge and control can affect the use and performance of a 3M product in a particular application. Given the variety of factors that can affect the use and performance of a 3M product, user is solely responsible for evaluating the 3M product and determining whether it is fit for a particular purpose and suitable for user's method of application.

Warranty and Limited Remedy: 3M warrants that each 3M Fire Protection Product will be free from defects in material and manufacture for 90 days from the date of purchase from 3M's authorized distributor. 3M MAKES NO OTHER EXPRESS OR IMPLIED WARRANTIES, INCLUDING ANY IMPLIED WARRANTY OF MERCHANTABILITY OR FITNESS FOR A PARTICULAR PURPOSE. If a 3M product does not conform to this warranty, the sole and exclusive remedy is, at 3M's option, replacement of the 3M product or refund of the purchase price.

Limitation of Liability: Except where prohibited by law, 3M will not be liable for any loss or damage arising from the 3M product, whether direct, indirect, special, incidental or consequential, regardless of the legal theory asserted.



3M Industrial Adhesives and Tapes Division

3M Center, Building 225-3S-06
St. Paul, MN 55144-1000
1-800-328-1687

www.3M.com/firestop

3M and Interam are trademarks of 3M Company. © 3M 2015. All rights reserved.