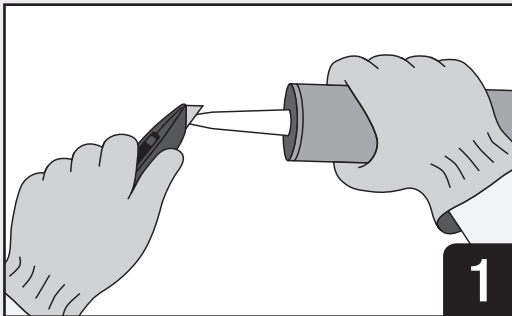


# Installation Guide

June 2015

## 3M™ Fire Barrier Water Tight Sealant 1003 SL

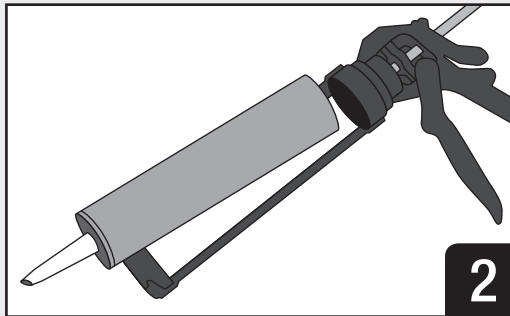


1

**Cartridge:** Cut off tip of nozzle to desired size.

**Sausage Pack:** Cut off tip of nozzle to desired size, cut and remove foil crimp on one end of sausage pack.

**Pail:** Remove lid.

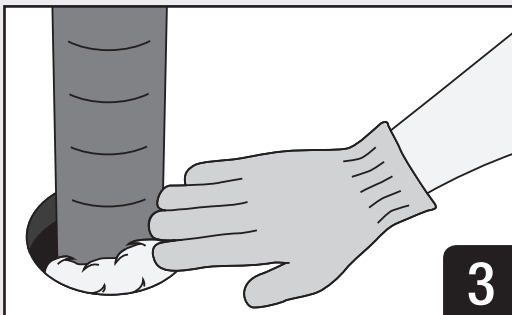


2

**Cartridge:** Insert cartridge into cartridge applicator.

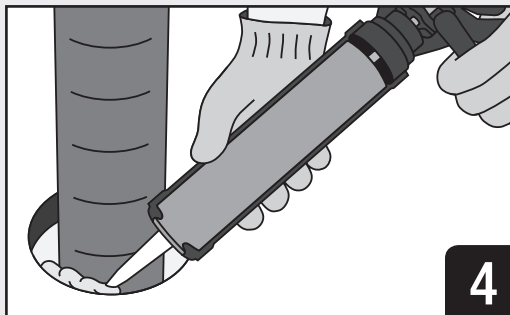
**Sausage Pack:** Insert sausage pack into sausage pack applicator, place nozzle on end of applicator tube, secure with screw-on collar.

**Pail:** Install proper follower plate and use with bulk loading applicator, or trowel directly from pail.



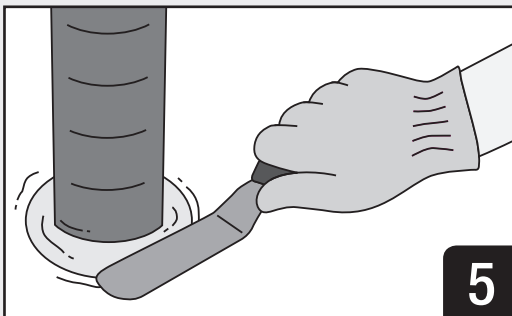
3

When applicable, install mineral wool to required depth per system specifications.



4

Apply sealant to required depth in annular space per system specifications. Completely fill annular space with sealant.



5

Tool sealant to be flush with floor.

**Note:** This product is not suited for wall applications.

# Installation Guide

This installation guide highlights requirements for 3M™ Fire Barrier Water Tight Sealant 1003 SL for firestopping general through-penetration applications. This guide is intended only to highlight general steps or methods and is not intended to describe all details and requirements. System specifications should comply with local and federal regulations. Examples of system specifiers include UL, Intertek, and European Technical Approvals and Assessments. Installer should confirm that the field conditions (such as opening size, pipe size and material, insulation type and thickness, and annular space) comply with the system specifications.

---

## Repair Procedure in Case of Damage

Damaged seals shall be removed and replaced.

---

## Precautionary Information

Refer to product label and Safety Data Sheet for health and safety information before using the product.

For information please contact your local 3M Office. [www.3M.com/SDS](http://www.3M.com/SDS)

### Important Notice to User:

**Technical Information:** The technical information, recommendations and other statements contained in this document are based upon tests or experience that 3M believes are reliable, but the accuracy or completeness of such information is not guaranteed.

**Product Use:** Many factors beyond 3M's control and uniquely within user's knowledge and control can affect the use and performance of a 3M product in a particular application. Given the variety of factors that can affect the use and performance of a 3M product, user is solely responsible for evaluating the 3M product and determining whether it is fit for a particular purpose and suitable for user's method of application.

**Warranty and Limited Remedy:** 3M warrants that each 3M Fire Protection Product will be free from defects in material and manufacture for 90 days from the date of purchase from 3M's authorized distributor. 3M MAKES NO OTHER EXPRESS OR IMPLIED WARRANTIES, INCLUDING ANY IMPLIED WARRANTY OF MERCHANTABILITY OR FITNESS FOR A PARTICULAR PURPOSE. If a 3M product does not conform to this warranty, the sole and exclusive remedy is, at 3M's option, replacement of the 3M product or refund of the purchase price.

**Limitation of Liability:** Except where prohibited by law, 3M will not be liable for any loss or damage arising from the 3M product, whether direct, indirect, special, incidental or consequential, regardless of the legal theory asserted.



### 3M Industrial Adhesives and Tapes Division

3M Center, Building 225-3S-06  
St. Paul, MN 55144-1000  
1-800-328-1687

[www.3M.com/firestop](http://www.3M.com/firestop)

3M is a trademark of 3M Company. © 3M 2015. All rights reserved.