



SJ-1SS

Cold Shrink™ Stacked Sleeve Splice Jacket Kit

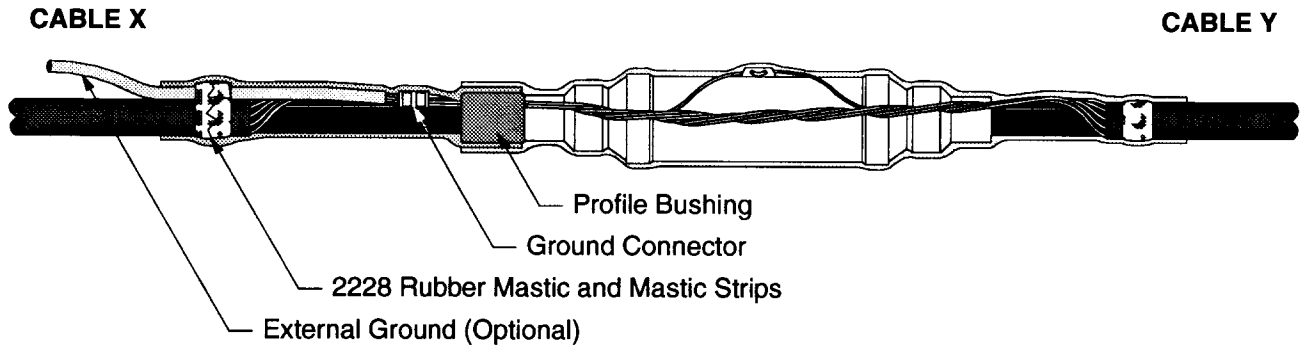
Instruction Sheet

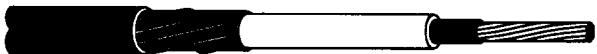
Kit Contents

- 1 Small Diameter Cold Shrink™ Assembly
- 1 Large Diameter Cold Shrink™ Assembly
- 1 Profile Bushing
- 2 Roll of Scotch™ 2228 Rubber Mastic Tape
- 2 Mastic Strips
- 1 Instruction Sheet

For Use With These 3M Quick Splice Kits		
5411	5411A	5412

Non 3M Splice Kits	
Maximum Recommended Splice O.D.	Maximum Recommended Jacket Opening
1.95" (49,5 mm)	23" (584,2 mm)



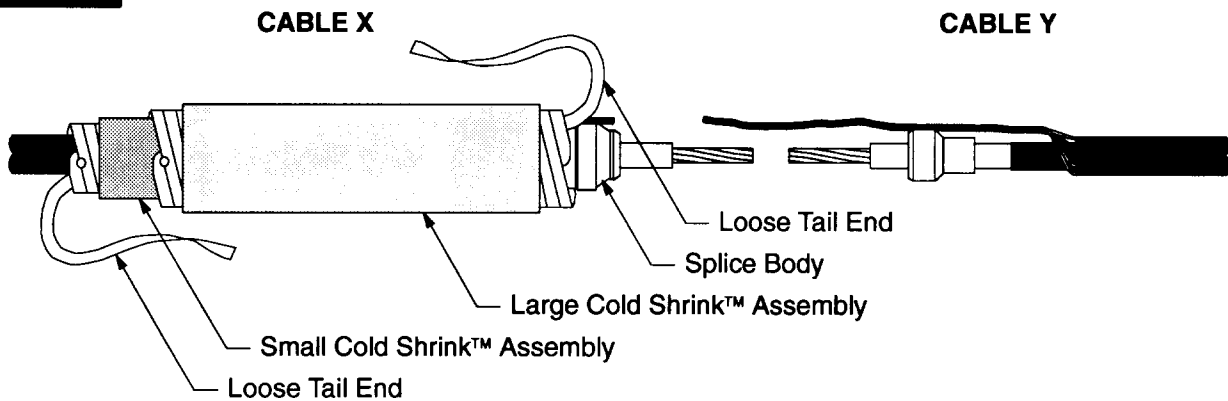
 <p>Jacketed Concentric Neutral (JCN) Cable</p>	<p>SJ-1SS</p> <p>Cold Shrink™ Stacked Sleeve Splice Jacket Kit</p> <p>Maximum Splice O.D. 1.95" (49,5 mm) Maximum Jacket Opening 23" (584,2 mm)</p>
	<p>78-8096-4647-0</p>
<p>NUMBER OF PAGES: 6</p> <p>ISSUE DATE: 7/11/95</p>	<p>SCALE: Not to scale</p> <p>ISSUE: B AUG -2</p>

Splice Jacket Kit Instruction

1. Prepare cable according to splice manufacturer's instruction. **3M recommends locating the neutral wire connector beyond one end of the splice body** (see Figure 5). If an external ground is required, locate the ground connection off splice body.
2. Install splice body and all other splice components per manufacturer's instructions.
3. Place the small Cold Shrink™ assembly (loose tail end first, Figure 1) over the splice body onto the CABLE X (cable with the largest amount of jacket material removed). Place the large Cold Shrink™ assembly on top of the small Cold Shrink™ tube (loose tail end last, Figure 1).

NOTE: These assemblies may be moved as necessary during assembly of splice.

Figure 1



4. Complete the splice installation according to manufacturer's instruction.
5. Apply 2228 rubber mastic seal on both cable jacket ends (sticky side toward cable jacket, using slight tension). Locate seal 1/4" (6 mm) from cable jacket cutoffs. Apply appropriate number of wraps (see chart 1).

Figure 2

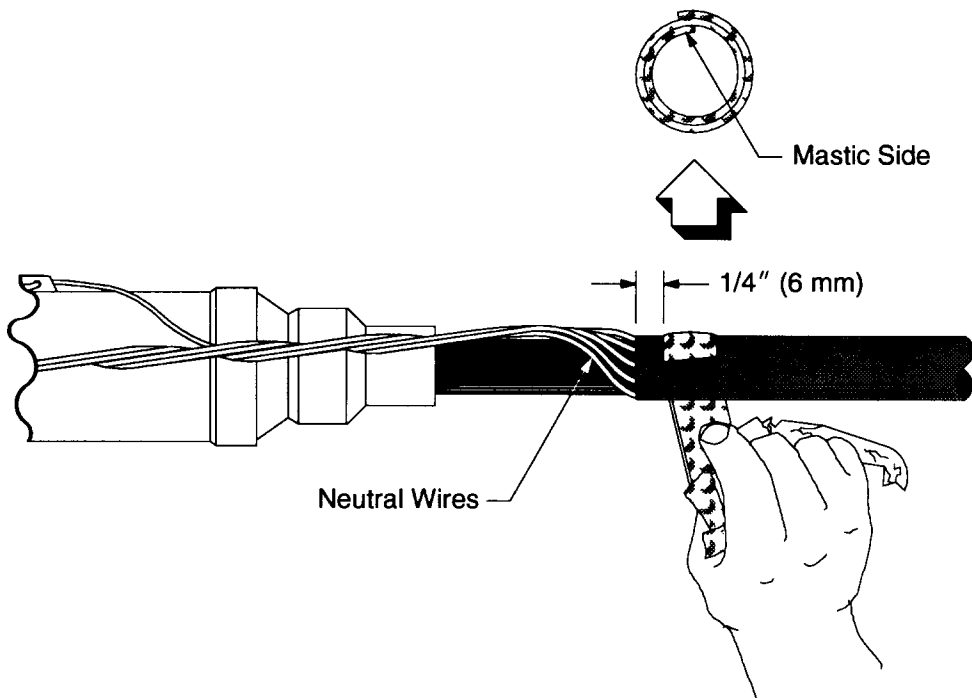


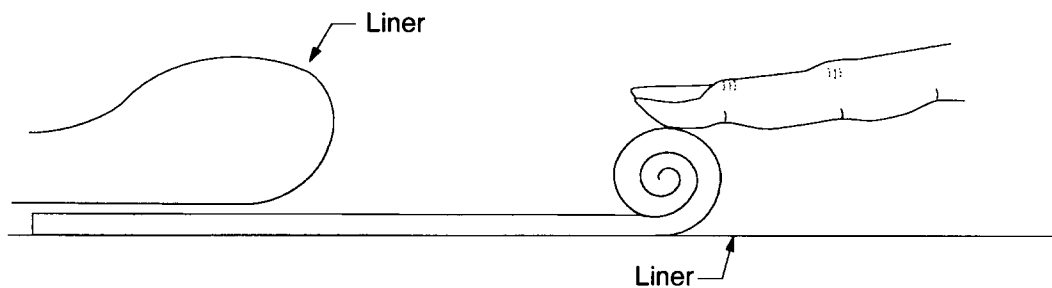
CHART 1

2228 Rubber Mastic Seal		
Cable Voltage Classification	Conductor Size	Number Of Wraps
15 kV	2 AWG	5
15 kV	1 AWG	5
15 kV	1/0 AWG (175 mil)	5
15 kV	1/0 AWG (220 mil)	4
15 kV	2/0 AWG	4
15 kV	3/0 AWG	4
15 kV	4/0 AWG	3

NOTE: Steps 6–10 are for sealing external ground leads.

6. At ground lead end, wrap 1 layer of rubber mastic around the power cable jacket, 1/4" (6 mm) from the jacket end. Apply mastic side toward cable jacket.
7. Remove liners from one side of mastic strips. Roll mastic into a tight roll as shown (*Figure 3*).

Figure 3



8. Position mastic rolls over previously applied 2228 rubber mastic as shown (*Figure 4a*).
9. Press and form mastic rolls to fill area between external ground lead and cable jacket shown (*Figure 4b*).

Figure 4a

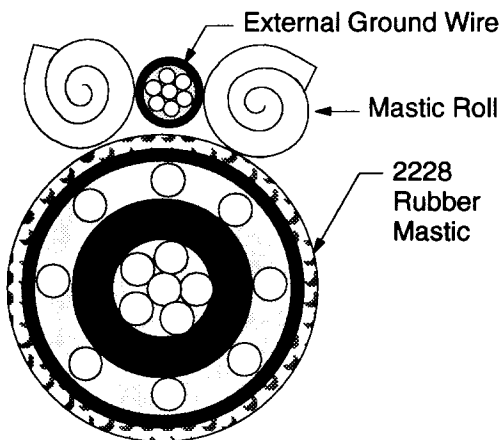
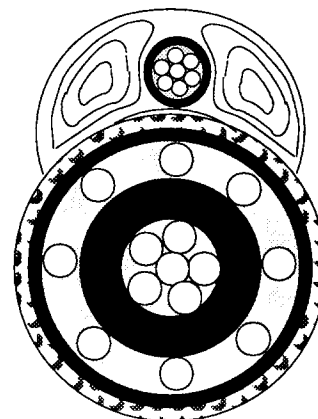
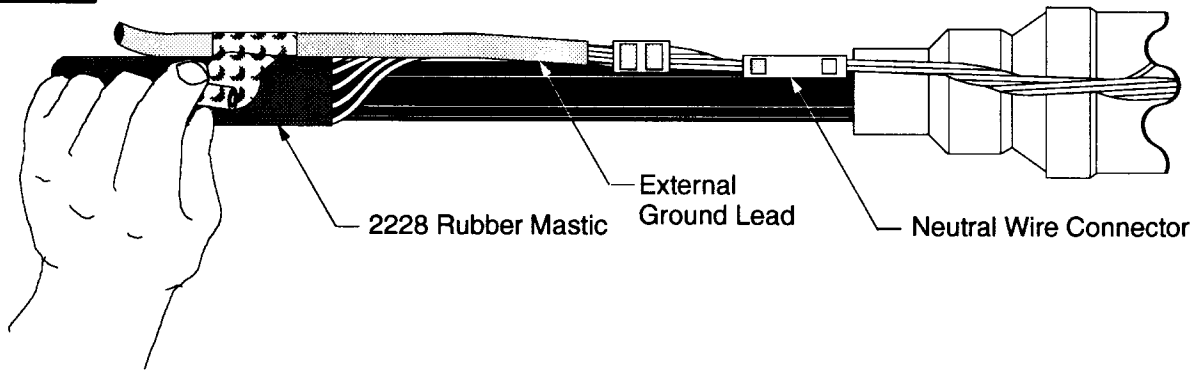


Figure 4b



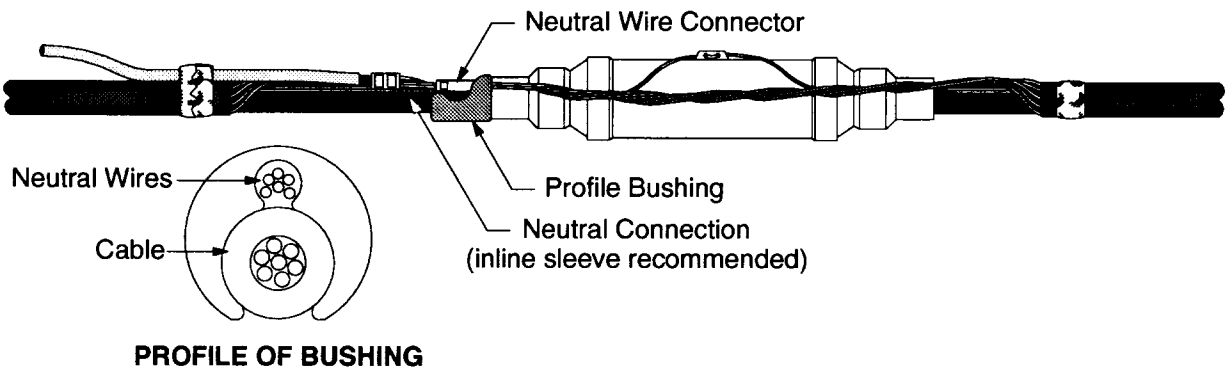
10. Apply an additional wrap of 2228 rubber mastic around both the cable jacket and ground lead at the seal area (*Figure 5*).

Figure 5



11. Install the profile bushing next to the end of the splice on the CABLE X side, over the neutral wire connector (*Figure 6*). Secure the profile bushing in place with 2 half-lapped layers of vinyl tape.

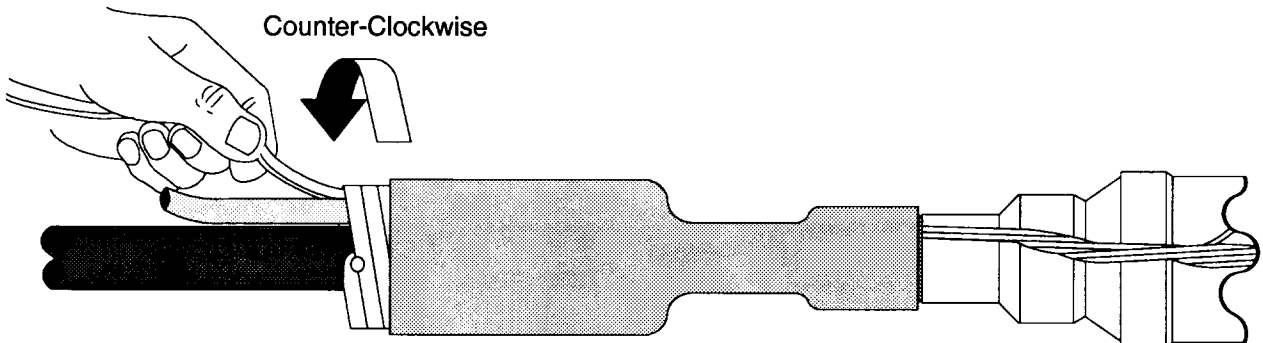
Figure 6



12. Install the smaller Cold Shrink™ assembly over the profile bushing (*Figure 7*). Remove Cold Shrink™ core by unwinding counter-clockwise.

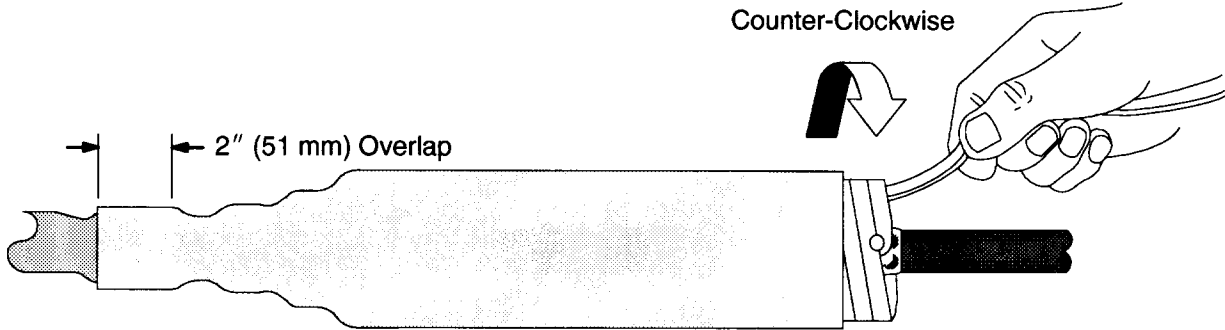
NOTE: An occasional tug of the core strand while unwinding will aid in core removal.

Figure 7



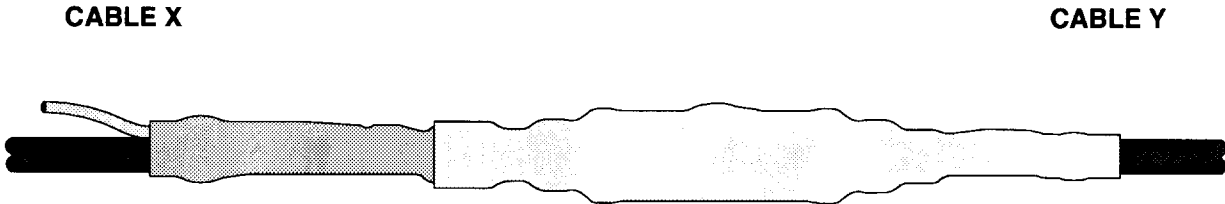
13. Install the larger Cold Shrink™ assembly, overlapping the first Cold Shrink™ tube 2" (51 mm) (Figure 8).

Figure 8



Completed Splice

Figure 9



'3M', 'Cold Shrink' and 'Scotch' are trademarks of 3M.

Important Notice

All statements, technical information, and recommendations related to the Seller's products are based on information believed to be reliable, but the accuracy or completeness thereof is not guaranteed. Before utilizing the product, the user should determine the suitability of the product for its intended use. The user assumes all risks and liability whatsoever in connection with such use.

All statements or recommendations of the Seller which are not contained in the Seller's current publications shall have no force or effect unless contained in an agreement signed by an authorized

officer of the Seller. The statements contained herein are made in lieu of all warranties expressed or implied, including but not limited to the implied warranties of merchantability and fitness for a particular purpose which warranties are hereby expressly disclaimed.

SELLER SHALL NOT BE LIABLE TO THE USER OR ANY OTHER PERSON UNDER ANY LEGAL THEORY, INCLUDING BUT NOT LIMITED TO NEGLIGENCE OR STRICT LIABILITY, FOR ANY INJURY OR FOR ANY DIRECT OR CONSEQUENTIAL DAMAGES SUSTAINED OR INCURRED BY REASON OF THE USE OF ANY OF THE SELLER'S PRODUCTS THAT WERE DEFECTIVE.



Electrical Products Division

6801 River Place Blvd.
Austin, TX 78726-9000



*Recycled paper
40% pre-consumer
10% post-consumer*

Litho in USA
©1995 3M
78-8096-4647-0 (B)

**STRUCTURAL SPECIFICATION FOR
PRINTED INSTRUCTION SHEETS FOR ELPD**

78 #: 78-8096-4647-0
Issue #: B
Date: 7/12/95

SCOPE: THIS SPECIFICATION ADDRESSES THE STRUCTURAL OPTIONS FOR THE PRINTING OF INSTRUCTION SHEETS. GRAPHIC ART, WITH A CONTROL NUMBER (78-XXXX-XXXX-X), MUST BE ATTACHED TO THIS STRUCTURAL SPECIFICATION IN-ORDER TO CREATE A MATERIAL PURCHASE SPECIFICATION.

MATERIAL: 60# OFFSET

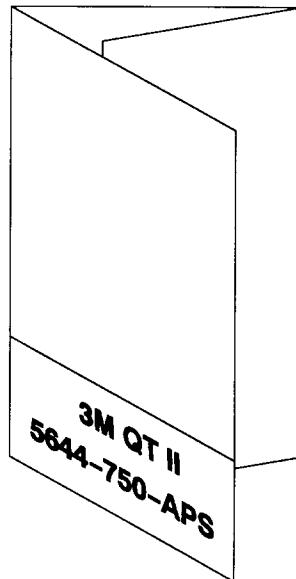
COLOR: WHITE

INK COLOR: BLACK

ADDITIONAL INFORMATION:

- 1.VENDOR TO MAKE PART NO. 78- 8096-4647-0 PER STYLE BELOW.
- 2.VENDOR MAY SUBSTITUTE GLUE WHERE STITCHING IS CALLED OUT IF IT REDUCES THE COST TO 3M.

(5 or 6 page, gate folded)



**25-1/2" X 11" SHEET, PRINTED BOTH
SIDES. PRINT ONE SIDE, LEFT TO RIGHT,
WITH PAGES 5, 6 AND TITLE PAGE.
OPPOSITE SIDE PAGE 2, 3 AND 4. GATE
FOLD TO 8-1/2" X 11" WITH TITLE PAGE
FACING OUT. THEN FOLD TO 4-1/4" X 11"
WITH TITLE BLOCK FACING OUT.**