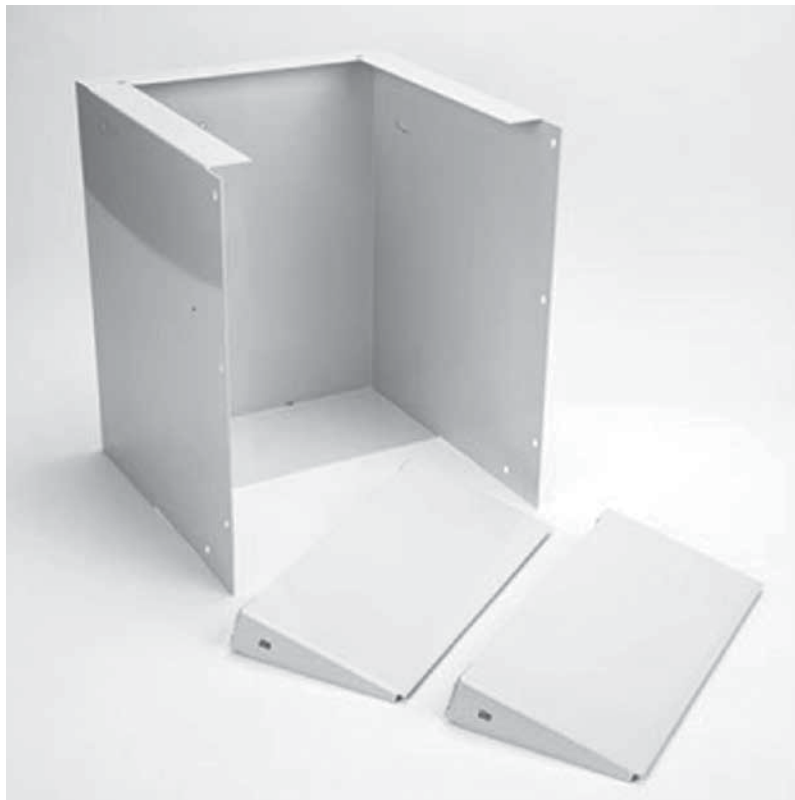


3M™ Cross-Connect Cabinets 4220SVB, 4220SVC and 4220SVE Skirt and Stabilizers

Rear skirt and stabilizers to cover and protect DSLAM apparatus cases mounted directly on 3M Pad or Stake Mount Cabinets

Instructions



Contents

- 1.0 General
- 2.0 Accessories - Ordering information
- 3.0 Cabinet overall description
- 4.0 3M™ Cross-Connect Cabinet 4220SVB, 4220SVC and 4220SVE Skirt and Stabilizer Kit ordering
- 5.0 Stabilizer/Skirt installation for 3M 4220SVB/4220SVC cabinets – pad or stake mount. Stabilizer/Skirt installation for SVE stake mount and Skirt installation for SVE pad mount.
- 6.0 Seal cable entrance

1.0 General

- 1.1 These instructions provide the information necessary for the installation of the rear skirt and stabilizers to the low profile 3M™ Cross-Connect Cabinets 4220SVB, 4220SVC or 4220SVE. The cabinets are shipped in the pad mount configuration. The 3M 4220SVB cabinet is designed to accept one external mount DSLAM, the 3M 4220SVC cabinet can accept one or two and the 3M 4220SVE cabinet can accept up to four. All of these cabinets can also house a fiber termination/connection box and an AC powering connection box. The 3M 4220SVB and 4220SVC cabinets are multiuse in that they can be field converted as a pad, stake, and pole/post or wall mount application. The 3M 4220SVE cabinet is a multiuse in that it can be field converted as a stake or pad mount application. The cabinets accept 3M™ Quick Connect System (QCS) 2810 Blocks and frames (ordered separately).

Note: The skirt and stabilizers can only be installed to the cabinets when they are in the pad or stake mount configuration.

Note: The 4220SVB, 4220SVC and 4220SVE cabinets all require a specific size skirt and stabilizer. The skirt is designed to provide a confined space of protection to allow the DSLAM cables to route under and into the cabinet.

(Stabilizers and Skirt are required on the 4220SVE cabinet for Stake mounting. When pad mounting the 4220SVE cabinet only the Skirt is required.)

- 1.2 Tools required for installation:
 - a. UAE socket set
 - b. Standard hand tools
- 1.3 Accessories - general
 - a. Stake mount kit
 - b. Pole/Post/Wall mount kit
 - c. Rear cable entry skirt kit
 - d. Front or rear stabilizer kit
 - e. Rear cable entry skirt with stabilizer kit
 - f. Top cable entry port kit
 - g. Bottom cable entry port kit
 - h. Internal cable sealing port kit
 - i. 3M QCS 2810 300 maximum pair empty or loaded frame
 - j. 3M QCS 2810 600 maximum pair loaded frame
 - k. 3M QCS 2810 50-pair harness kits
 - l. Fiber box
 - m. AC power box
 - n. Cable/pair count labels
- 1.4 Additional materials that may be needed for total DSLAM point installation:
 - a. Port sealing materials
 - b. Splicing connectors
 - c. 3M™ Scotchlok™ Shield Bond Connector

2.0 Accessories – Ordering Information for 3M™ Cross-Connect Cabinet 4220 Series

4220SVB Cabinet only	
80611486061	4220SVBSK-A KIT SKIRT
80611486079	4220SVBSSK-A KIT STABILIZERS/SKIRT
80611486251	4220SVB/VB-PMK-GRADE PEDCAB BTM ENTRY GRADE/POLE MT
80611486293	4220SVB-TCPK KIT TOP CAP PORT
80611486301	4220SVB-BCPK KIT BOTTOM CAP PORT
80611486319	4220SVBS-A KIT STABILIZERS
80611498140	4220SVB-QCS/A CABINET EMPTY ALMOND
80611486244	4297-4220SVB/VB-BP KIT BREAD PAN I.D. 4"X11"
80611498132	QCS3N/300-000/A FRAME EMPTY

4220SVC Cabinet only	
80611486400	4220SVC-A KIT STABILIZERS
80611486426	4220SVC-TCPK KIT TOP ENTRY PORT
80611486434	4220SVC-BCPK KIT BTM ENTRY PORT
80611486392	4297-4220SVC/VC-BP KIT BREAD PAN I.D. 4"X11" WIDE FLANGE
80611498173	4220SVCSSK-A KIT STABILIZERS/SKIRT
80611498223	4220SVCSSK-A KIT SKIRT ALMOND
80611498215	4220SVC-QCS/A CABINET EMPTY ALMOND
80611481310	QCS6-QCSHC/600-000/-A FRAME EMPTY

4220SVE Cabinet only	
80611486236	4220SVES-A-KIT STABILIZERS
80611498231	4220SVESK-A KIT SKIRT ALMOND
80611498181	4220SVESSK-A-KIT STABILIZERS AND SKIRT
80611498157	4220SVE-QCS/A CABINET EMPTY ALMOND

All 4220SVB, 4220SVC and 4220SVE Cabinets	
80611486202	4220SV/DSLAM/MB-AD-A KIT BKT OSP DSLAM MT SVB, SVC, SVE
80611486228	4220SV/DSLAM/MB-CA-A KIT BKT OSP DSLAM MT SVB, SVC, SVE
80611486095	PBO-S1-2SCA-CL KIT FIBER TERMINAL
80611498165	PBPOC-2-12-CL KIT FIBER TERMINAL
80611498199	MCFK8OD KIT MIDSPAN BOX/2 PIGTAIL, ADAPT, SBOND, GSTRAP
80611498207	4056-SVS-A STAKE MT KIT BULK ALMOND
80611498249	JBOXI INTERNAL TO CABINET
80611498256	JBOXO OUTDOOR

3.0 3M™ Cross-Connect Cabinet Overall Description

Cabinet Product	Max Pair Count QCS 2810	Max # of Frames QCS 2810	Frame Number	Dimensions Height/Width/Depth (inches)	Single Sided	Low Profile
4220SVB	300	1	QCS3N	44 7/8 × 12 3/8 × 10 1/8	X	X
4220SVC	600	1	QCS6	44 7/8 × 18 × 10 1/8	X	X
4220SVE	1200	2	QCS6	44 7/8 × 33 × 18	X	X

4.0 3M™ Cross-Connect Cabinet 4220SVB, 4220SVC and 4220SVE Skirt and Stabilizer Kit ordering

(Stabilizer not required on 4220SVE pad mount application)

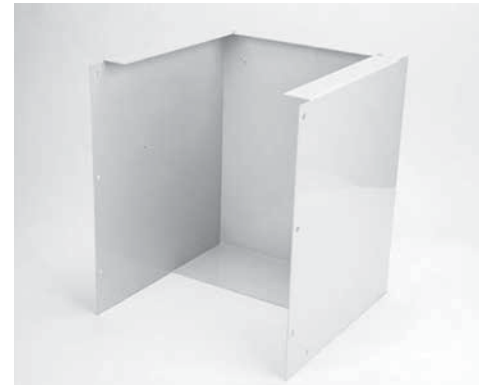
4220SVB	
80611486319	4220SVBS-A KIT STABILIZERS
80611486061	4220SVBSK-A KIT SKIRT
80611486079	4220SVBK-A KIT STABILIZERS/SKIRT

4220SVC	
80611486400	4220SVC-A KIT STABILIZERS
80611498223	4220SVCSK-A KIT SKIRT ALMOND
80611498173	4220SVCSSK-A KIT STABILIZERS/SKIRT

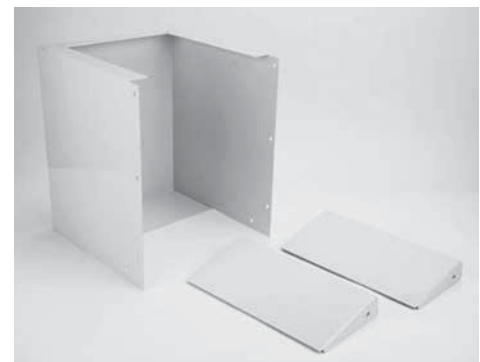
4220SVE	
80611486236	4220SVES-A-KIT STABILIZERS
80611498231	4220SVESK-A KIT SKIRT ALMOND
80611498181	4220SVESSK-A-KIT STABILIZERS AND SKIRT



3M™ Cross-Connect Cabinet 4220 SVB Stabilizers



3M™ Cross-Connect Cabinet 4220 SVB Skirt



3M™ Cross-Connect Cabinet 4220 SVB Skirt and Stabilizers

5.0 Stabilizer/skirt installation for 3M™ Cross-Connect Cabinets 4220SVB/4220SVC/SVE – pad or stake mount

(Stabilizer and skirt required for 3M 4220SVE stake mount cabinet)

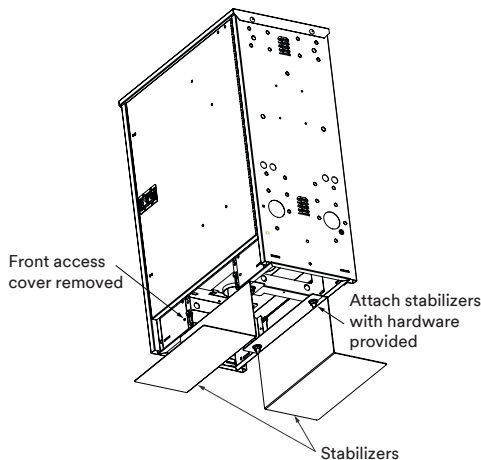
(Stabilizer not required, not used on 3M 4220SVE pad mount cabinet)

- 5.1 The skirt is designed to provide a confined space of protection to allow the DSLAM cables to route under and into the cabinet. The stabilizer can be installed on the bottom front and/or back to provide additional vertical stability to the cabinet with a DSLAM installed. The skirt will also contain the washed gravel placed in the bottom of the cabinet. 3M 4220SVE stabilizers are installed on the bottom of the cabinet and used along with the skirt for stake mount applications.

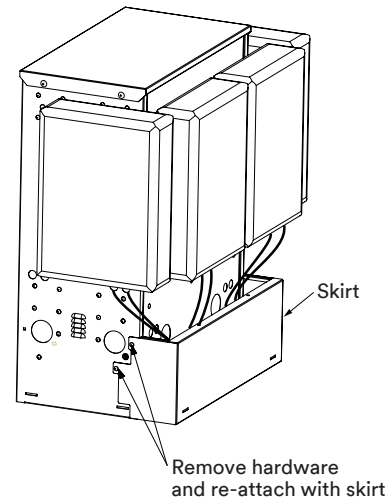
The skirt and stabilizers can be ordered separately or together for the SVB and SVC cabinets and can be installed independently and each is not required to support the other. The skirt and stabilizers can be ordered separately or together for the SVE cabinet however, the stabilizers are only used on the stake mount application and must be used with a skirt.

Note: Install the bread pan cable sealing kit before routing cable if utilized.

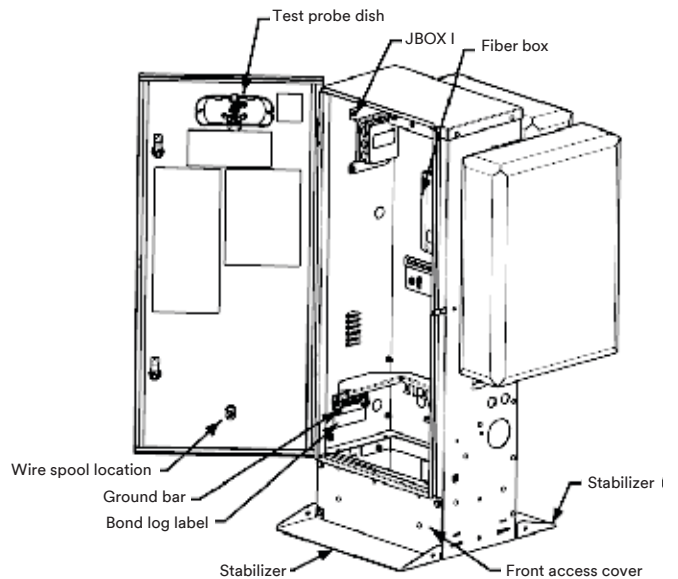
- a. Confirm specific skirt and stabilizers are correct for the specific cabinet.
- b. 3M 4220SVE stabilizers must be mounted to the cabinet bottom first for stake mount applications.



- c. Install DSLAM and all cables plus field cables prior to installing skirt or stabilizer.
- d. Remove all installed cabinet bolts, washers and nuts required to install skirt.
- e. Install stabilizer first if required.
- f. Install skirt.



- g. Reinstall all bolts, washers and nuts to secure skirt and stabilizer.



6.0 Seal cable entrance

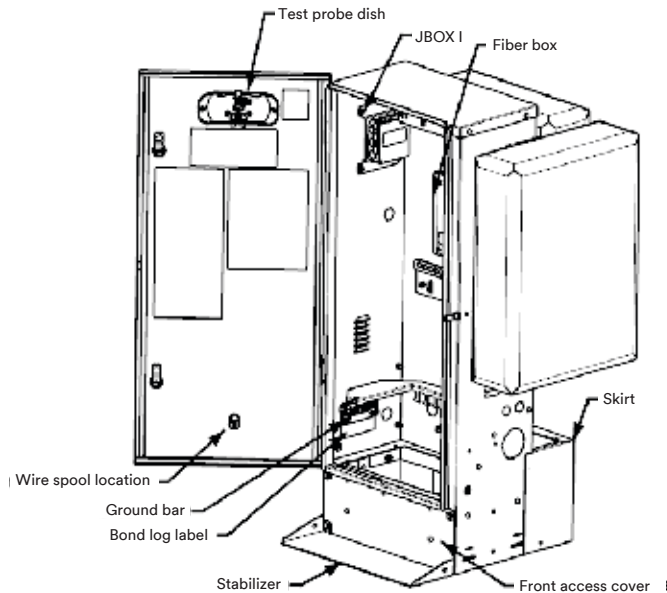
6.1 Seal all cables entering the bottom of the cabinet per your company directive.

3M™ 4220SVB, 4220SVC, and 4220SVE Bottom Port cable entrance sealing kits

4220SVB	
80611486244	4297-4220SVB/VB-BP KIT BREAD PAN I.D. 4"X9"
80611486301	4220SVB-BCPK KIT BOTTOM CAP PORT

4220SVC	
80611486392	4297-4220SVC/VC-BP KIT BREAD PAN I.D. 4"X11" WIDE FLANGE
80611486434	4229SVC-BCPK KIT BTM ENTRY PORT
80611488927	4297-2-SVC PORT KIT FOR 4220SVC/VC CABINETS
80611488935	4297-3-SVC PORT KIT FOR 4220SVC/VC CABINETS

4220SVE	
80611487481	4297-FPE-A BREAD PAN
80610115364	4297-2 PORT ENTRY
80610115372	4297-3 PORT ENTRY



3M and Scotchlok are trademarks of 3M Company.

Important Notice

All statements, technical information, and recommendations related to 3M's products are based on information believed to be reliable, but the accuracy or completeness is not guaranteed. Before using this product, you must evaluate it and determine if it is suitable for your intended application. You assume all risks and liability associated with such use. Any statements related to the product which are not contained in 3M's current publications, or any contrary statements contained on your purchase order shall have no force or effect unless expressly agreed upon, in writing, by an authorized officer of 3M.

Warranty; Limited Remedy; Limited Liability.

This product will be free from defects in material and manufacture for a period of one (1) year from the time of purchase. **3M MAKES NO OTHER WARRANTIES INCLUDING, BUT NOT LIMITED TO, ANY IMPLIED WARRANTY OF MERCHANTABILITY OR FITNESS FOR A PARTICULAR PURPOSE.** If this product is defective within the warranty period stated above, your exclusive remedy shall be, at 3M's option, to replace or repair the 3M product or refund the purchase price of the 3M product. **Except where prohibited by law, 3M will not be liable for any direct, indirect, special, incidental or consequential loss or damage arising from this 3M product, regardless of the legal theory asserted.**



Communication Markets Division

6801 River Place Blvd.
Austin, TX 78726-9000

Phone 1-800-426-8688
Web www.3M.com/Telecom

Please recycle. Printed in USA © 3M 2016.
All rights reserved. 78-0015-2675-1-B