

3M

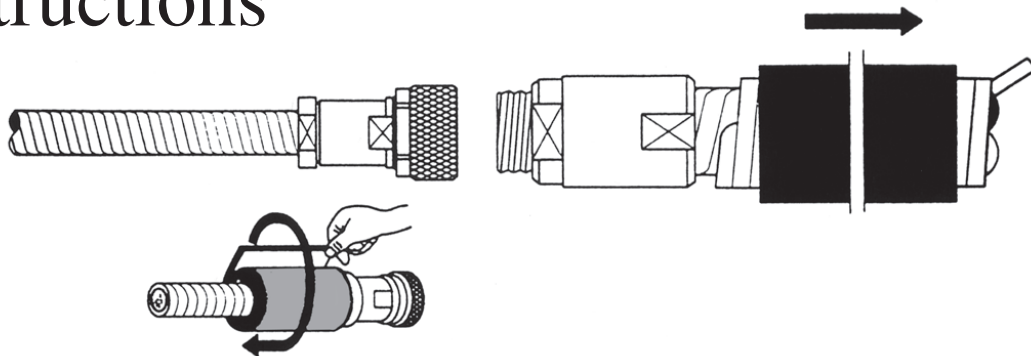
Cold Shrink Sealing Kit CXS

CXS-2 (1/4"-1 5/8"* to 1 1/4"-1 5/8") DIN or Type N

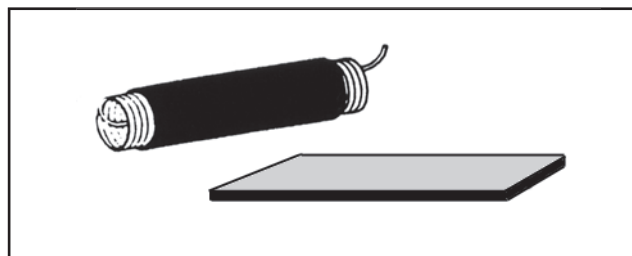
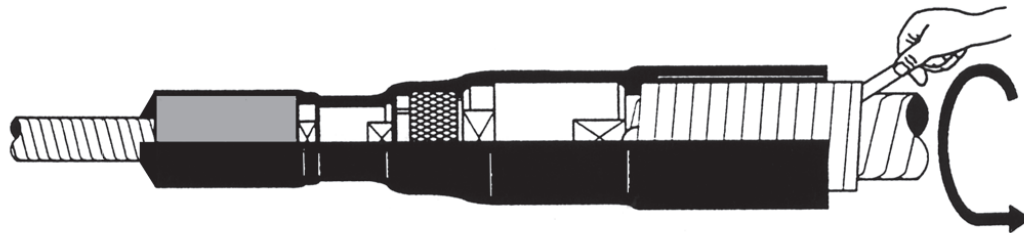
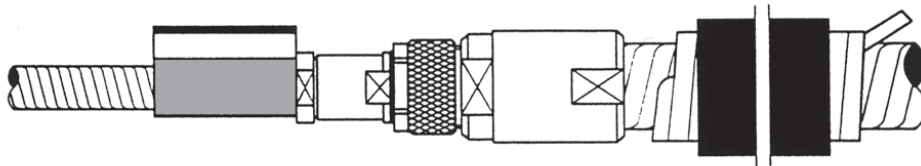
CXS-3 (1/4"-2 1/4"* to 1 1/4"-2 1/4") DIN or Type N

*Install without foam > 7/8" Jumper Cable

Instructions



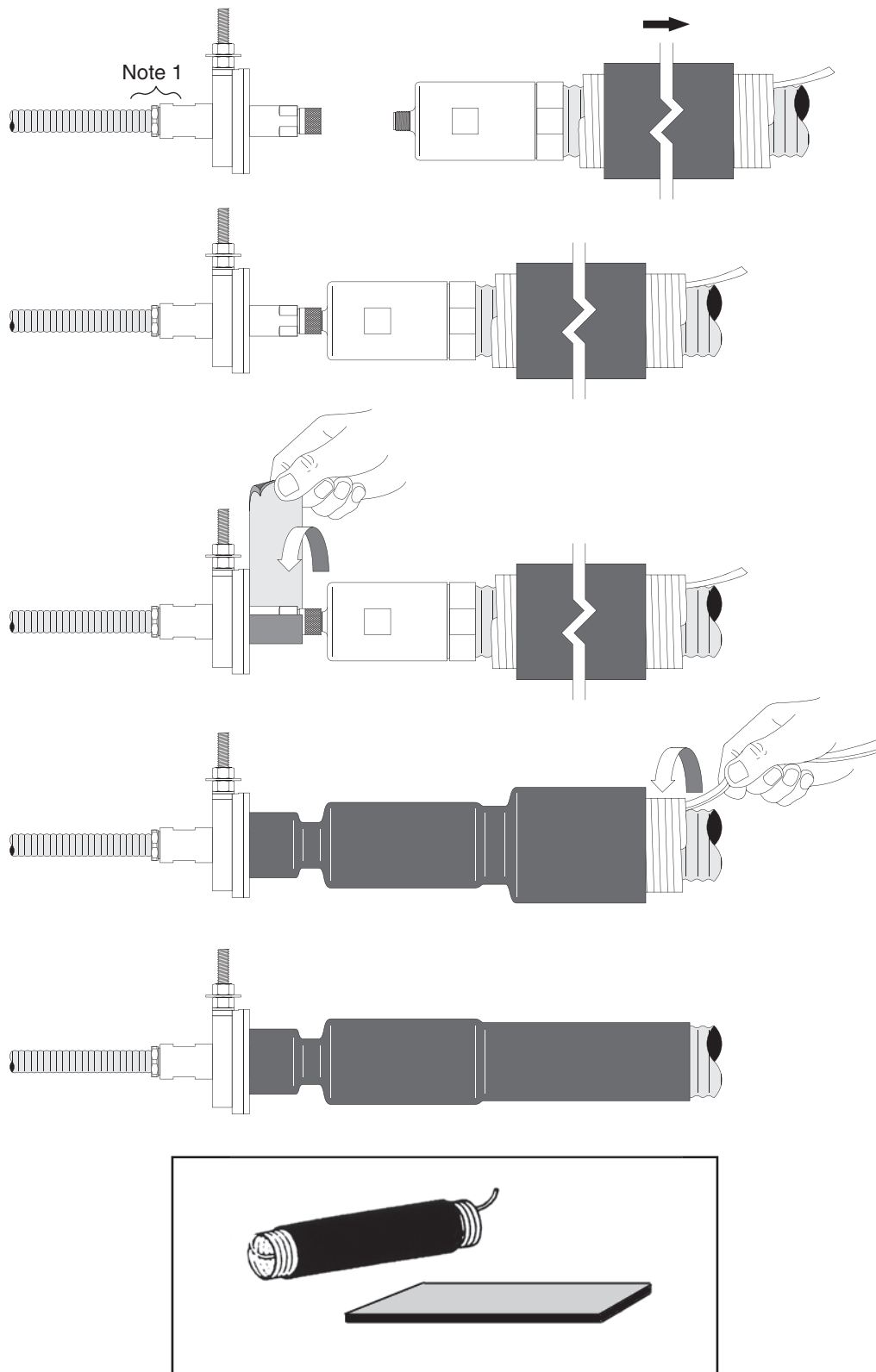
*See note above



Feeder Coax to Surge Arrestor or Connector Sealing

CXS-2 1 1/4"–1 5/8" to Antenna or Surge Arrestor

CXS-3 1 1/4"–2 1/4" to Antenna or Surge Arrestor



Note 1: Seal jumper cable to jumper side of surge arrester with 3M™ CXS-4 Sealing Kit.

3M is a trademark of 3M Company.

Important Notice

All statements, technical information, and recommendations related to 3M's products are based on information believed to be reliable, but the accuracy or completeness is not guaranteed. Before using this product, you must evaluate it and determine if it is suitable for your intended application. You assume all risks and liability associated with such use. Any statements related to the product which are not contained in 3M's current publications, or any contrary statements contained on your purchase order shall have no force or effect unless expressly agreed upon, in writing, by an authorized officer of 3M.

Warranty; Limited Remedy; Limited Liability. This product will be free from defects in material and manufacture for a period of one (1) year from the date of purchase. **3M MAKES NO OTHER WARRANTIES INCLUDING, BUT NOT LIMITED TO, ANY IMPLIED WARRANTY OF MERCHANTABILITY OR FITNESS FOR A PARTICULAR PURPOSE.** If this product is defective within the warranty period stated above, your exclusive remedy shall be, at 3M's option, to replace or repair the 3M product or refund the purchase price of the 3M product. Except where prohibited by law, **3M will not be liable for any loss or damage arising from this 3M product, whether direct, indirect, special, incidental or consequential regardless of the legal theory asserted.**

3M

Electrical Markets Division

6801 River Place Blvd.
Austin, TX 78726-9000
www.3M.com/electrical



*Printed on 50% recycled paper
with 10% post-consumer*

Litho in USA
© 3M 2004 78-8125-9092-1-C