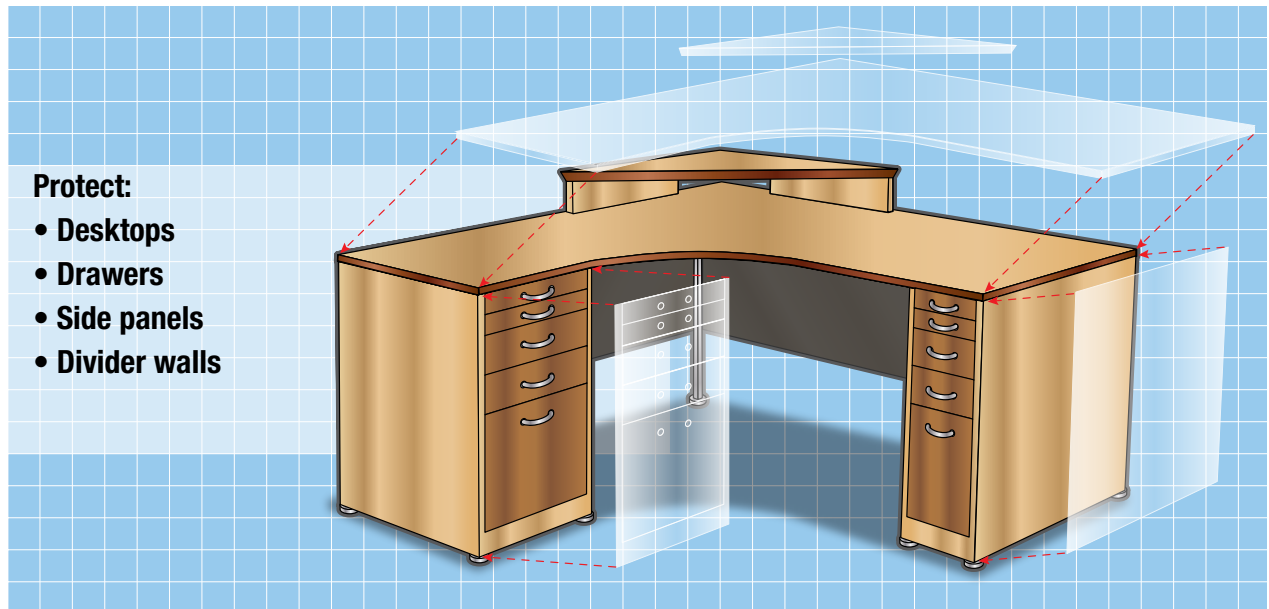


3M Application Concept

Market: Desks & Workstations (OEM)

Application Description: Long-term abrasion and corrosion resistance to protect external surfaces on desks and workstations.



Protect:

- Desktops
- Drawers
- Side panels
- Divider walls

Key Application Requirements

Film needs to hold reliably to a variety of surfaces, such as wood, metal, laminate, plastic, glass and other materials. Needs to be long lasting, conformable and easy to install. Film should create minimal change in surface appearance, even over extended periods of time.

Product or Process Replaced

Plastic desk protector pads or adhesive films.

Benefits/Advantages to Customer

Engineered for durability:

Resists damage from abrasion—commonly caused by shoes, jewelry, pens and other objects—chemicals, tears, punctures and galvanic corrosion. Maintains a smooth, long-lasting surface on products that experience frequent wear and abuse such as the high-touch areas on desks and workstations.

Excellent backing transparency:

Allows for surface protection with minimal distortion of surface design and/or printed information beneath film.

Easy-release paper liner:

Enables die cutting for simple, streamlined application during or after manufacture.

PRODUCT

3M™ Industrial
Protective Film 7070UV

3M™ Industrial
Protective Film 7071UV

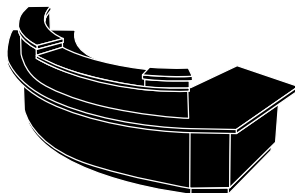
3M Industrial Adhesives
and Tapes Division

Related Applications

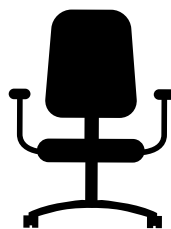
Surface protection on:



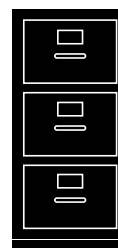
Tables



Counters



Office Chairs



Filing Cabinets

Related Products

3M™ Temporary Surface Protection Tapes

3M™ Scotchgard™ Multi-Layer Protective Film

Key Decision Makers

Design Engineers, Quality Control Managers, Production Supervisors/Managers

For Additional Information

To request additional product information or to arrange for sales assistance, call 1-800-362-3550. Address correspondence to: 3M Industrial Business Customer Response Center, Building 21-1W-10, 900 Bush Avenue, St. Paul, MN 55106. Our fax number is 651-733-9175. In Canada, phone: 1-800-364-3577. In Puerto Rico, phone: 1-787-750-3000. In Mexico, phone: 52-70-04-00.

Product Use

All statements, technical information and recommendations contained in this document are based upon tests or experience that 3M believes are reliable. However, many factors beyond 3M's control can affect the use and performance of a 3M product in a particular application, including the conditions under which the product is used and the time and environmental conditions in which the product is expected to perform. Since these factors are uniquely within the user's knowledge and control, it is essential that the user evaluate the 3M product to determine whether it is fit for a particular purpose and suitable for the user's method of application.

Warranty and Limited Remedy

Unless stated otherwise in 3M's product literature, packaging inserts or product packaging for individual products, 3M warrants that each 3M product meets the applicable specifications at the time 3M ships the product. Individual products may have additional or different warranties as stated on product literature, package inserts or product packages. 3M MAKES NO OTHER WARRANTIES, EXPRESS OR IMPLIED, INCLUDING, BUT NOT LIMITED TO, ANY IMPLIED WARRANTY OF MERCHANTABILITY OR FITNESS FOR A PARTICULAR PURPOSE OR ANY IMPLIED WARRANTY ARISING OUT OF A COURSE OF DEALING, CUSTOM OR USAGE OF TRADE. User is responsible for determining whether the 3M product is fit for a particular purpose and suitable for user's application. If the 3M product is defective within the warranty period, your exclusive remedy and 3M's and seller's sole obligation will be, at 3M's option, to replace the product or refund the purchase price.

Limitation of Liability

Except where prohibited by law, 3M and seller will not be liable for any loss or damage arising from the 3M product, whether direct, indirect, special, incidental, or consequential, regardless of the legal theory asserted, including warranty, contract, negligence, or strict liability.



3M Industrial Adhesives and Tapes Division

Building 225-3S-06
St. Paul, MN 55144-1000
1-800-362-3550
3M.com/IATD

3M and Scotchgard are trademarks of 3M.
Please recycle. Printed in USA.
© 3M 2015. All rights reserved.