

Instructions and Parts List



M-82 Definite-Length Dispenser

Model 69000

Description

The M-82 Definite Length Dispenser can accommodate multiple tape rolls up to 4 inches or 100 mm maximum width. Delivers standard tape lengths from 1-1/2 to 16 inches [40 to 400 mm] maximum with one lever stroke. Longer lengths may be obtained by repeating the lever stroke.

Specifications

Tape:

Most "Scotch" brand Pressure-sensitive Tapes.

Tape Widths: 1/2 inch or 12 mm minimum
4 inch or 96 mm maximum.

Tape Roll Diameter:

Up to 9 inches [230 mm] maximum diameter on a 3 inch [76,2 mm] diameter core.

Overall Dispenser Dimensions:

Length 16-3/4 inches [425 mm]
Height 10-1/4 inches [260 mm]
Width 11-1/2 inches [290 mm]

Weight:

Packaged 23 Lbs. [10,5 kg]
Unpackaged 19 Lbs. [8,6 kg]

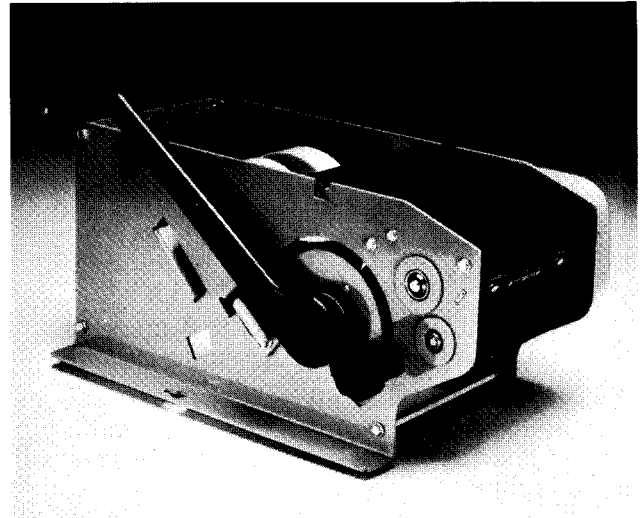
Mounting Instructions



WARNING – It is important to secure the dispenser to the work surface. Failure to do so may result in personal injury and or damage to the dispenser.

The M-82 Dispenser is equipped with two key slotted holes on 7-1/2 inch [190 mm] centers, located on the side frame bottom flanges. For best performance, secure the dispenser to a flat surface by one of the following mounting methods.

Note – It is recommended that the M-82 Dispenser be positioned as shown in figure 1 so the front edge of the side frame bottom flanges are flush with the work bench or table top front edge. This will provide clearance when dispensing long strips of tape.



M-82 Definite Length Dispenser Model 69000

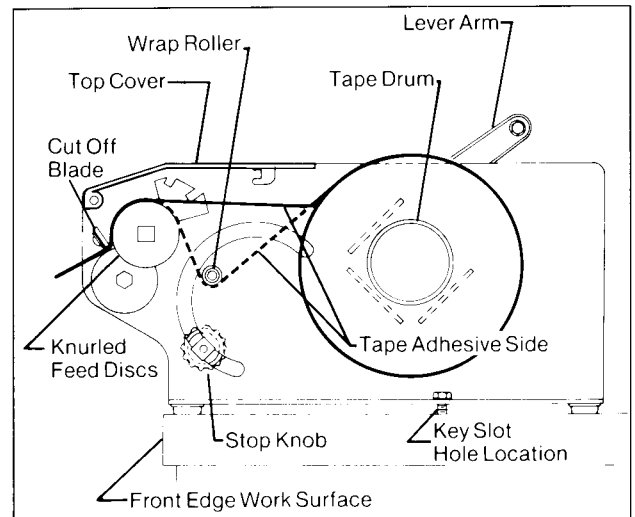


Figure 1 – Mounting and Tape Loading

Portability – Position the M-82 Dispenser on a flat work surface as recommended. Assemble and tighten down the two #10 screws, provided for mounting, so the heads are 7/16 or 12 mm above the surface. **DO NOT OVERTIGHTEN SCREWS** – this will cause the dispenser bottom flanges to bend. Mounted in this manner, the dispenser can easily be removed and transported to another work area.

(Continued on next page)

Mounting Instructions (Continued)

Permanent Mount – Remove the four bumper feet from the M-82 Dispenser bottom flanges and position the dispenser on a flat work surface as recommended. Assemble and tighten down the two #10 screws, provided for mounting, to secure the dispenser. To use the “Scotch-Mount” Foam Tape, provided for mounting, select a non-porous surface, free of grease, oil and dust. Remove the four bumper feet and apply a strip of foam tape on each dispenser flange bottom. Position the dispenser on the work surface as recommended.

Set-up Instructions

Tape Loading – Pivot the dispenser top cover open to allow access for tape loading and threading.

Refer to figure 1, place tape roll(s) on the tape drum. Place drum with tape into dispenser to dispense tape forward from top of roll(s).

Bring tape lead end forward, adhesive side down, and tack it to the knurled feed discs. Pull lever arm handle forward slowly to feed tape(s) under

Set-up Instructions (Continued)

cut-off blade as shown. If the tape(s) slip on the feed discs when dispensing, rethread the tape(s), first under the wrap roller then forward to the feed discs. Close the top cover.

Tape Length – The lever arm stop knob, located on the left hand side of the dispenser, may be set in any position to restrict the throw of the lever arm for dispensing uniform tape lengths less than the full stroke.

How to Replace the Blade



WARNING – Use care when working near the blade as the blade is sharp.

1. Remove and retain the two screws and blade clamp to remove the used blade.
2. Install the new blade, blade clamp and two screws.
3. Tighten the screws to secure the blade.

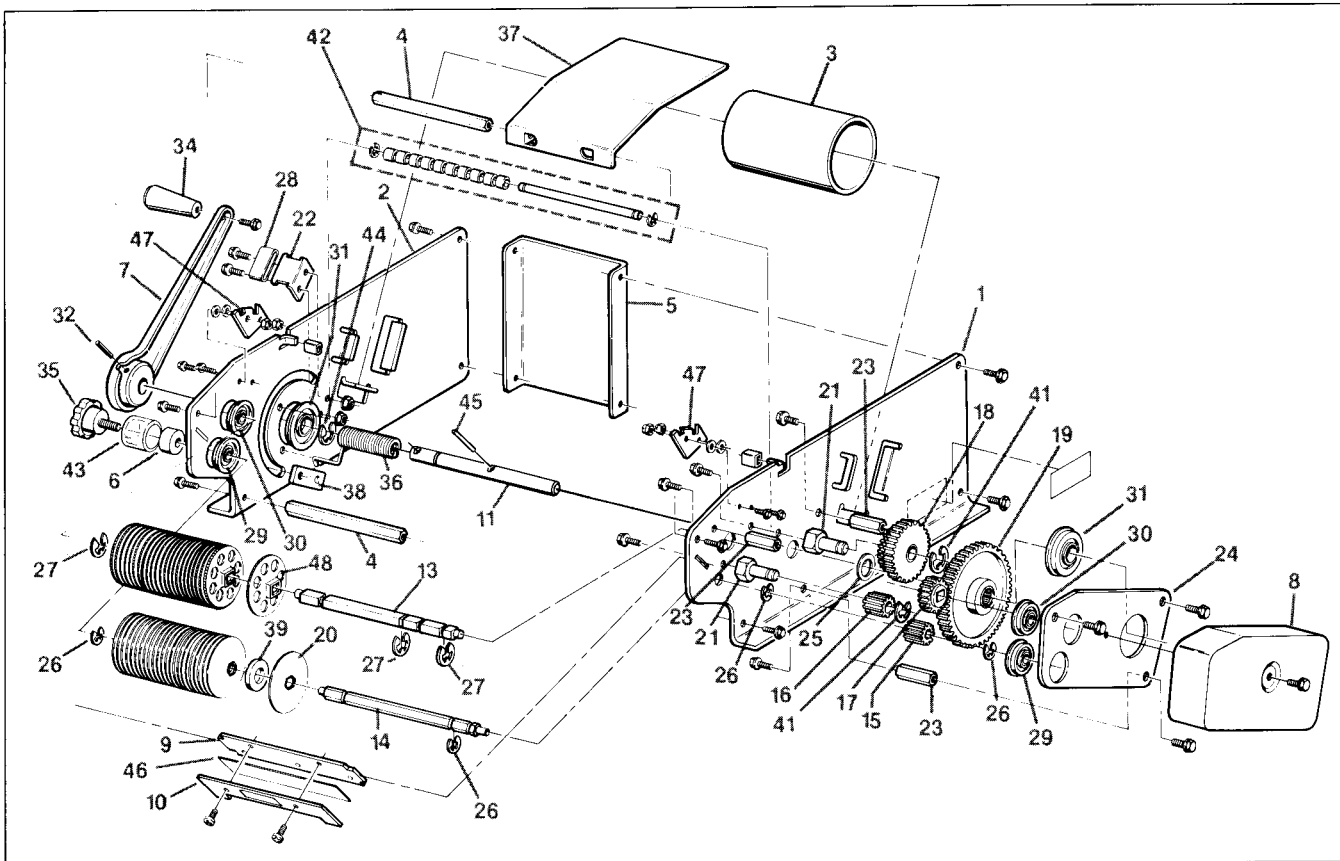


Figure 2 – Replacement Parts Illustration

How To Order Replacement Parts

1. Refer to Parts Illustration Figure 2 to find part needed and reference number.
2. Refer to parts list for correct part number.
3. Order by **part number, description, dispenser name and model no.**

Minimum billing on parts orders will be \$25.00.
Replacement part prices available on request.
\$10.00 restocking charge per invoice on returned parts.

4. Replacement parts and part prices available direct from:

3M/Tape Dispenser Parts
241 Venture Drive 800/344 9883
Amery, WI 54001-1325 FAX # 715/268 8153

5. Machine repair service ship direct to:

Tape Equipment Repair Services
241 Venture Drive
Amery, WI 54001-1325

Replacement Parts List

Ref. No.	Part Number	Description
1	78-8042-3033-8	Frame - Right Side
2	78-8042-3068-4	Frame - Left Side
3	78-8042-3064-3	Drum - Tape
4	78-8042-2982-7	Shaft - Spacer
5	78-8042-3036-1	Spacer - Rear
6	78-8042-3060-1	Spacer - Knob
7	78-8059-5820-0	Arm - Lever
8	78-8042-2979-3	Cover - Gear
9	78-8042-2986-8	Plate - Back up Blade
10	78-8042-3170-8	Clamp - Blade
11	78-8059-5811-9	Shaft - Drive
13	78-8042-2992-6	Shaft - Feed
14	78-8042-2993-4	Shaft - Stripper
15	78-8070-1255-0	Gear - .600 P.D.
16	78-8070-1259-2	Gear - .700 P.D.
17	78-8070-1257-6	Gear - 1.25 P.D.
18	78-8070-1260-0	Change Gear Assy.
19	78-8059-5813-5	Gear - Assy.
20	78-8042-3055-1	Disc - Stripper
21	78-8042-2981-9	Shaft - Idler
22	78-8042-3065-0	Handle Stop Assy.
23	78-8042-3059-3	Standoff - Hex
24	78-8042-3067-6	Plate - Gear
25	78-8003-8702-5	Bearing - Thrust Washer, .628 ID x 1-1/4 OD x 1/16 Thk "OILITE" #TT-1002-1
26	78-8656-4005-2	Ring-Retaining, E-Ring, Waldes #X5133-31
27	78-8656-4012-8	Ring-Retaining, E-Ring, Waldes #5133-50
28	78-8042-3066-8	Pad - Handle Stop
29	26-1004-8370-5	Ball Bushing 1/4 Dia., Triangle Mfg. Co. #HA 5836
30	26-1004-8371-3	Ball Bushing 3/8 Dia., Triangle Mfg. Co. #HB 5837

Ref. No.	Part Number	Description
31	26-1004-8372-1	Ball Bushing 5/8 Dia., Triangle Mfg. Co. #HE 5838
32	12-7996-4473-2	Pin-Slotted Spring, 3/16 Dia. x 1-1/8 Lg.
34	26-1004-4829-4	Handle-Tapered w/1/4-20 Tapped Metal Insert, Dimco-Gray Co. #275
35	26-1004-4828-6	Knob - Fluted Torque, w/5/16-18 x 1 Lg. Stud, Dimco-Gray Co. #254
36	78-8042-3168-2	Spring - Handle
37	78-8042-2996-7	Cover
38	78-8042-3069-2	Clamp-Handle Stop
39	78-8042-3071-8	Spacer - Disc
41	78-8656-4003-7	Ring-Retaining, E-Ring Waldes-#5133-37
42	78-8042-3086-6	Wrap Roller Assy.
43	78-8042-3090-8	Bumper - Handle
44	78-8656-3981-5	Ring - Retaining Waldes "TRUARC" #5100-62
45	18-9260-8715-8	Pin - Slotted, Spring, 1/8 Dia. x 3/4 Lg.
46	70-7011-7270-5	Blade - Razor
47	70-7011-8451-0	Plate - Slitter Support
48	70-7011-6320-9	Disc - Feed

Attachments

Contact Your 3M Representative for Attachment Price.

Part Number	Description
78-8042-3081-7	Corrugated Blade Attachment
78-8042-3087-4	Anti-Curl Attachment
78-8042-3088-2	Slitter Attachment

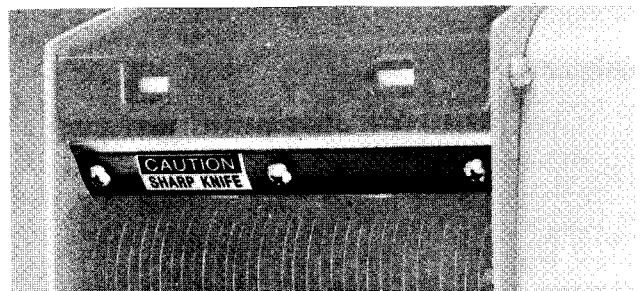
Attachments

"Scotch" brand P/N 78-8042-3081-7 Corrugated Blade Attachment

The Corrugated Blade Attachment, P/N 78-8042-3081-7, is for use when dispensing pressure-sensitive flatback, film and crepe paper tapes that can not be cut with the standard blade. For attachment price, contact your 3M representative.

Attachment contains:

- (1) Clamp - Blade
- (1) Blade - Corrugated
- (3) Screw - Mach. Phil. Pan Hd. 10-32 x 1/4 lg.



P/N 78-8042-3081-7 Corrugated Blade Attachment
(shown installed on M-82 D/L Dispenser)

Attachments (Continued)

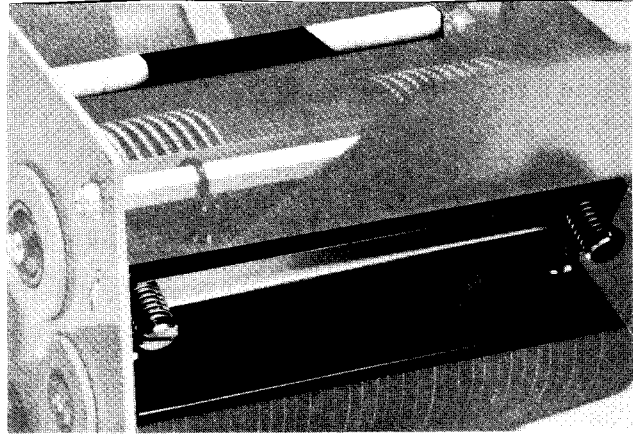
"Scotch" brand P/N 78-8042-3087-4 Anti-Curl Attachment

The Anti-Curl Attachment, P/N 78-8042-3087-4, is for use with certain pressure-sensitive flatback and crepe paper tapes that may curl upward when dispensed.

For attachment price, contact your 3M representative.

Attachment contains:

- (1) Non-Curl Blade Assy.
- (2) Spring - Blade
- (2) Stud - Blade Spring
- (1) Wrap Roller Assy. - Anti-Curl



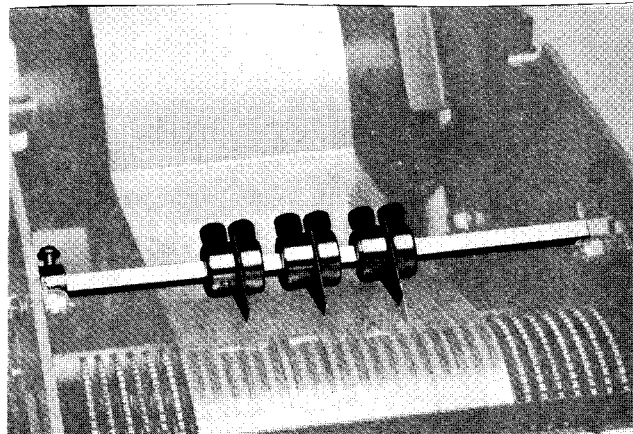
P/N 78-8042-3087-4 Anti-Curl Attachment
(shown installed on M-82 D/L Dispenser)

"Scotch" brand P/N 78-8042-3088-2 Slitter Attachment

The Slitter Attachment, P/N 78-8042-3088-2, when installed in the M-82 D/L Dispenser, allows tapes being dispensed to be slit in various widths. The minimum slit width of tape is 1/4 inch or 6 mm. Extra blades and spacers can be ordered to set up additional slitting combinations.

Attachment contains:

- (1) Bar - Slitter
- (3) Spacer - 1/3 inch
- (3) Spacer - 1/4 inch
- (3) Blade - Slitter
- (1) Collar - Adjusting w/screw
- (6) Screw - Soc. Hd. Cap 8-32 x 1/4 lg.
- (1) Key - Hex Soc. 9/64 Short Series



P/N 78-8042-3088-2 - Slitter Attachment
(shown installed on M-82 D/L Dispenser)

For attachment price, contact your 3M representative.

Equipment Warranty and Limited Remedy: THE FOLLOWING WARRANTY IS MADE IN LIEU OF ALL OTHER WARRANTIES, EXPRESS OR IMPLIED, INCLUDING, BUT NOT LIMITED TO, THE IMPLIED WARRANTY OF FITNESS FOR A PARTICULAR PURPOSE AND ANY IMPLIED WARRANTY ARISING OUT OF A COURSE OF DEALING, A CUSTOM OR USAGE OF TRADE:

3M warrants that its **Scotch™ brand dispensers** will be free from defects for ninety (90) days after delivery. If any part is proved to be defective within the warranty period, then the exclusive remedy and 3M's and seller's sole obligation shall be, at 3M's option, to repair or replace the part, provided the defective part is returned immediately to 3M's factory or an authorized service station designated by 3M. A part will be presumed to have become defective after the warranty period unless the part is received or 3M is notified of the problem no later than five (5) calendar days after the warranty period. If 3M is unable to repair or replace the part within a reasonable time, then 3M at its option, will replace the equipment or refund the purchase price.

Limitation of Liability: 3M and seller shall not be liable for direct, indirect, special, incidental or consequential damages based upon breach of warranty, breach of contract, negligence, strict liability or any other legal theory.

The foregoing Equipment Warranty and Limited Remedy and Limitation of Liability may be changed only by a written agreement signed by authorized officers of 3M and seller.



3M Packaging Systems Division

3M Center, Building 220-8W-01
St. Paul, MN 55144-1000

"Scotch" and "Scotch-Mount" are trademarks of 3M, St. Paul, Minnesota 55144-1000

Printed in U.S.A.

© 3M 1998 34-7004-7470-2(D128.0)