

# Instructions and Parts List

**Scotch**<sup>™</sup>  
BRAND

## H-1755 Hand Dispenser

Model 28200

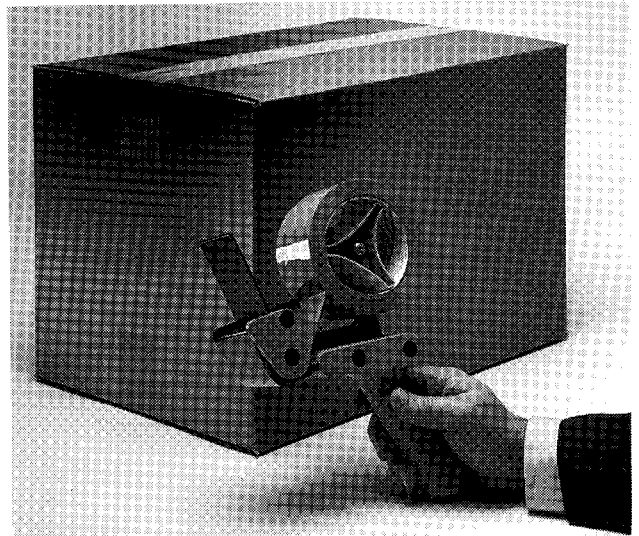
**Description** The H-1755 Hand Dispenser provides a quick and easy method for dispensing "Scotch" brand Film Box Sealing Tapes directly from the roll. This hand-held portable dispenser is recommended for center seam sealing of RSC boxes.

### Specifications

**Tape:** for use with most "Scotch" brand Pressure-sensitive Film Box Sealing Tapes.

**Tape Widths:** 1 1/2 inch or 36 mm minimum  
2 inches or [50mm] maximum

**Tape Roll Diameter:** 5 inches [125 mm] maximum  
on a 3 inch [76.2 mm] diameter core.



H-1755 Hand Dispenser, Model 28200

### Overall Dimensions:

Length: 6 1/2 inches [165mm]

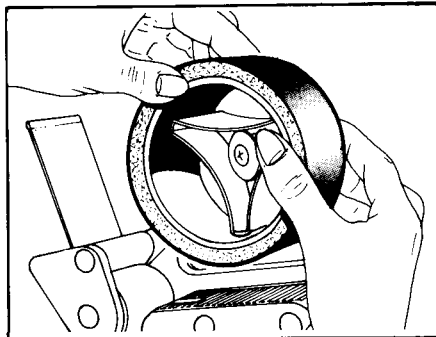
Height: 10 inches [255 mm]

Width: 2 5/8 inches [65 mm]

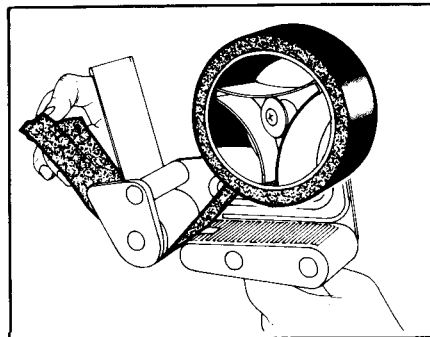
Weight: Unpackaged 14 oz. [400 grams]

Packaged 18 oz. [510 grams]

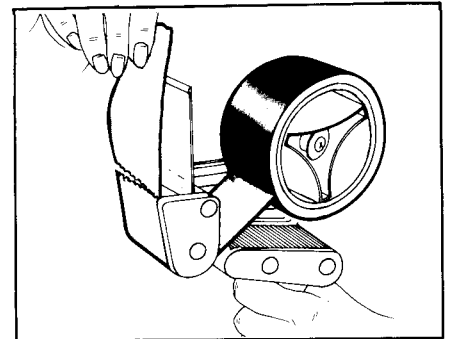
### Loading Instructions



**Figure 1.** Place tape roll fully onto tape drum to dispense tape forward from top of roll.

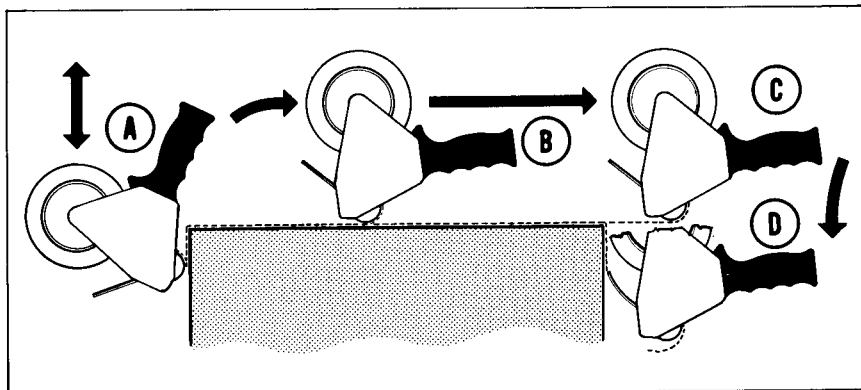


**Figure 2.** Pull tape lead end downward between tape applicator roller and non-reversing brake.



**Figure 3.** Bring tape lead end up around tape applicator roller and across serrated blade. Pull back and slightly to one side to cut off excess tape.

### Operating Instructions



A. Place tape and applicator roller on box front corner, centered on top seam. Roll dispenser down to tack tape lead end to side of box.

B. Pull dispenser across box top seam, applying pressure to applicator roller to obtain a tight seal.

C. Continue tape web 2-1/2 to 3 inches or 65 to 75 mm past end of box.

D. Bring dispenser tape wipe-down plate against corner of box, push down and twist slightly to cut and wipe tape end to back side of box.

## How to Replace the Blade

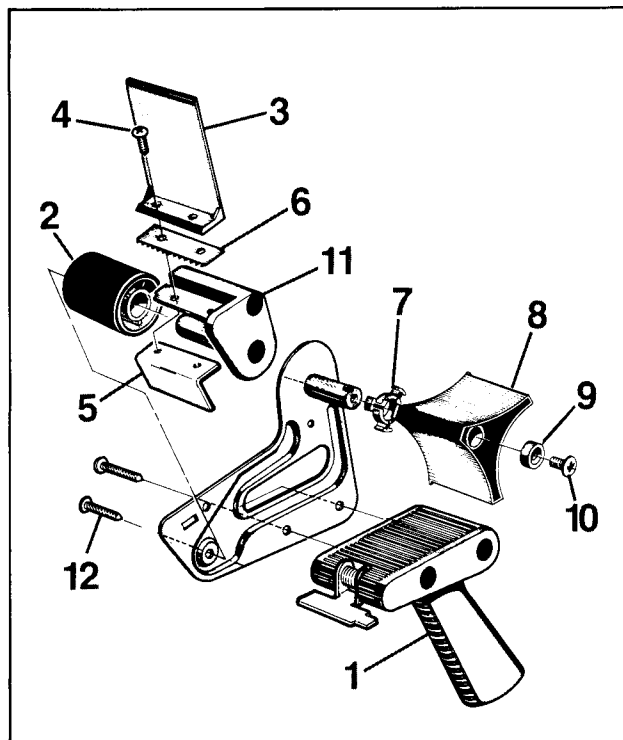


**WARNING** – Use care when working near the blade as the blade is sharp.

1. Remove tape wipe-down plate screws to remove used blade.
2. Install replacement blade with serrated cutting edge pointing away from applicator roller.
3. Seat blade against notch on tape wipe-down plate.
4. Replace and tighten mounting screws to secure blade.

## Replacement Parts List

Ref. No.	Part Number	Description
1	78-8028-8163-7	Handle Assy.
2	78-8028-8164-5	Applying & Buffer Roller
3	78-8028-8166-0	Wiper — Tape
4	78-8028-8180-1	Screw — Self Tapping
5	78-8028-8165-2	Clamp — Blade
6	78-8018-7821-2	Blade
7	78-8018-7834-5	Brake — Tension
8	78-8018-7845-1	Drum — Tape Mod.
9	78-8018-7846-9	Washer — Tape Drum
10	78-8018-7838-6	Screw
11	78-8018-7816-2	Blade & Roller Holder
12	78-8018-7840-2	Screw — Side Plate



Replacement Parts Illustration

**Minimum billing on parts orders will be \$10.00.**

**Replacement part prices available on request.**

## How To Order Replacement Parts

1. Refer to Parts Illustration to find part needed and reference number.
2. Refer to parts list for correct part number.
3. Order by **part number, description, dispenser name and model number.**

4. Replacement parts and part prices available direct from:

### 3M/Tape Dispenser Parts

241 Venture Drive  
Amery, WI 54001-1325

800/344 9883  
FAX # 715/268 8153

**Equipment Warranty and Limited Remedy:** THE FOLLOWING WARRANTY IS MADE IN LIEU OF ALL OTHER WARRANTIES, EXPRESS OR IMPLIED, INCLUDING, BUT NOT LIMITED TO, THE IMPLIED WARRANTY OF MERCHANTABILITY, THE IMPLIED WARRANTY OF FITNESS FOR A PARTICULAR PURPOSE AND ANY IMPLIED WARRANTY ARISING OUT OF A COURSE OF DEALING, A CUSTOM OR USAGE OF TRADE:

3M warrants that its "Scotch" brand dispensers will be free from defects for ninety (90) days after delivery. If any part is proved to be defective within the warranty period, then the exclusive remedy and 3M's and seller's sole obligation shall be, at 3M's option, to repair or replace the part, provided the defective part is returned immediately to 3M's factory or an authorized service station designated by 3M. A part will be presumed to have become defective after the warranty period unless 3M is notified of the problem no later than five (5) calendar days after the warranty period. If 3M is unable to repair or replace the part within a reasonable time, then 3M, at its option, will replace the equipment or refund the purchase price.

**Limitation of Liability:** 3M and seller shall not be liable for direct, indirect, special, incidental or consequential damages based upon breach of warranty, breach of contract, negligence, strict liability or any other legal theory.

The foregoing Equipment Warranty and Limited Remedy and Limitation of Liability may be changed only by a written agreement signed by an authorized officer of 3M and seller.



### Masking and Packaging Systems Division

3M Center, Building 220-8W-01  
St. Paul, MN 55144-1000

"Scotch" is a Trademark of 3M, St. Paul, MN 55144-1000

Litho in U.S.A.

© 3M 1995 34-7004-7311-8(C55 05)R2