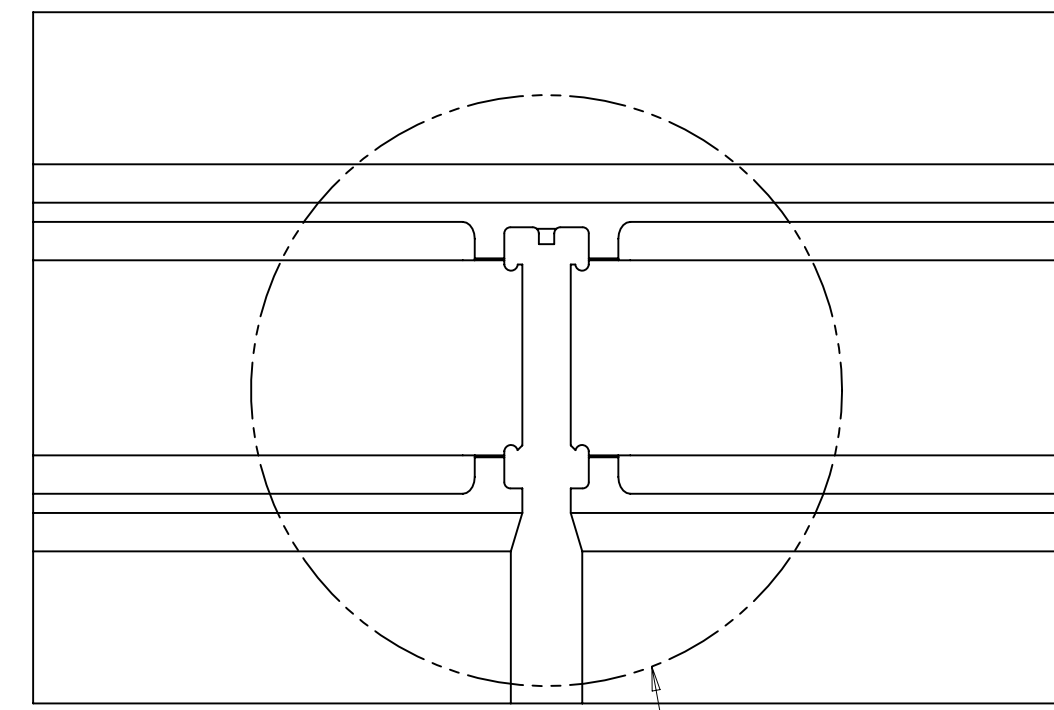
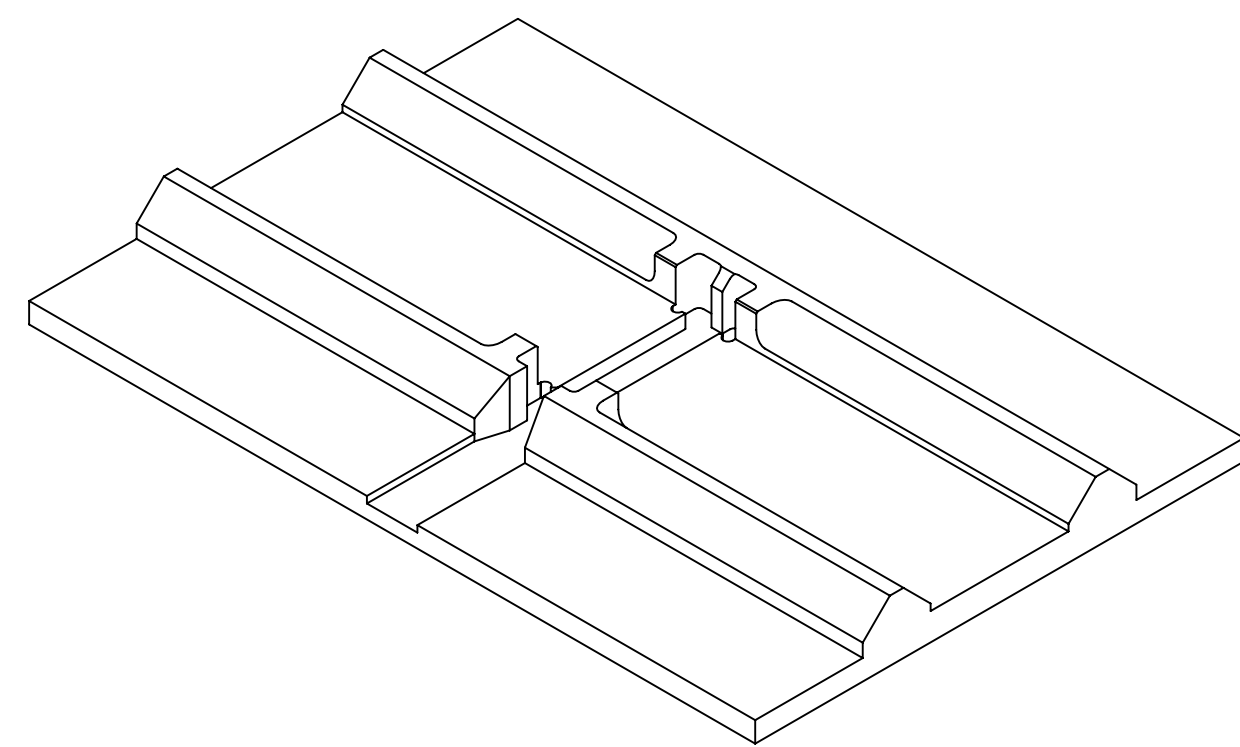
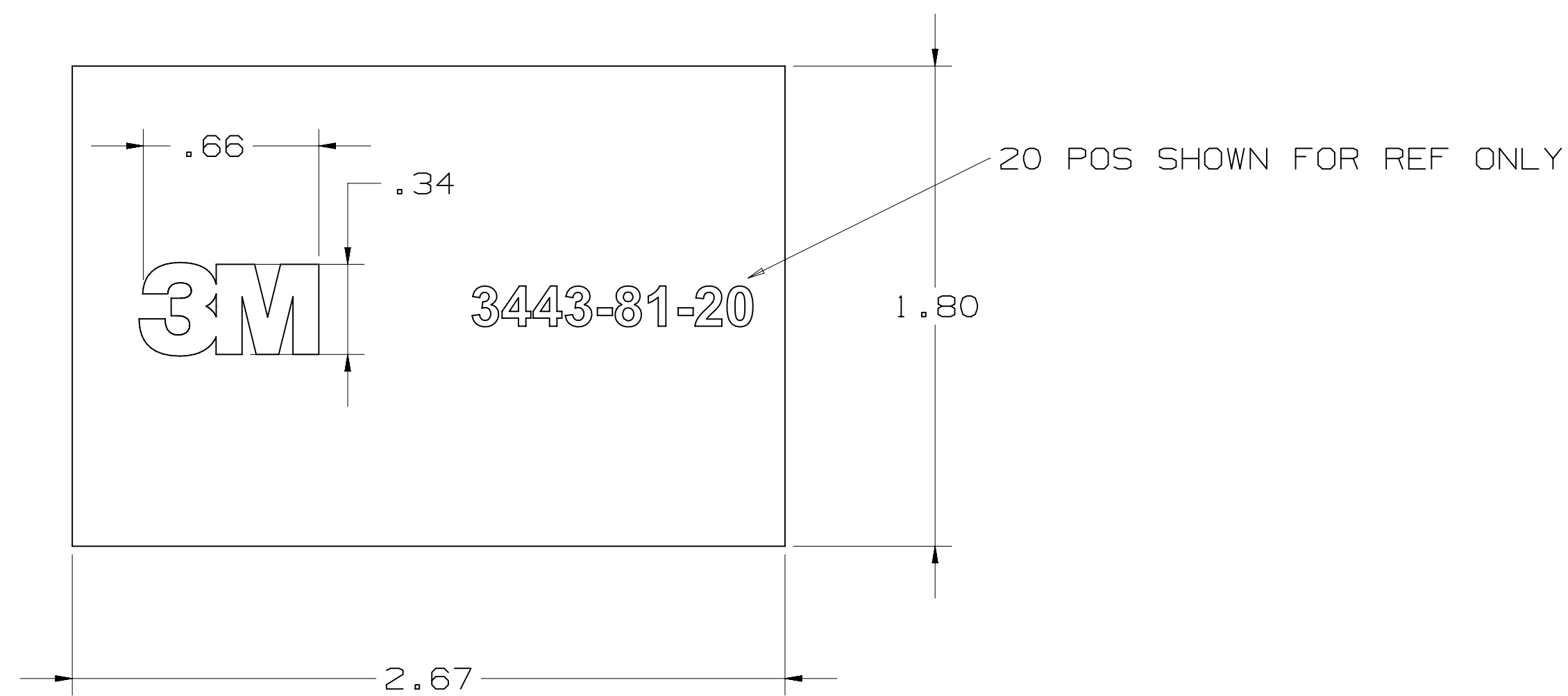
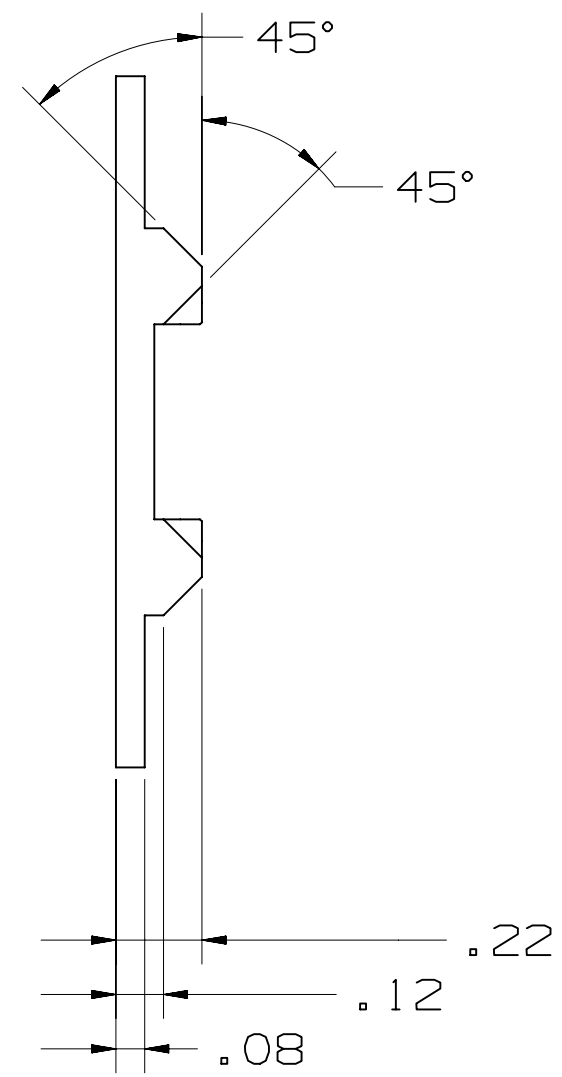


NOTES:

- 1. MATERIAL: ABS
- 2. TEXT: 0.015 ± .005
- 3. INSERT PAGES 1 & 2
- 4. ADAPTER PAGE 3
- 5. 3M PROVIDES THESE PRINTS AS REFERENCE ONLY. NO WARRANTY IS IMPLIED.



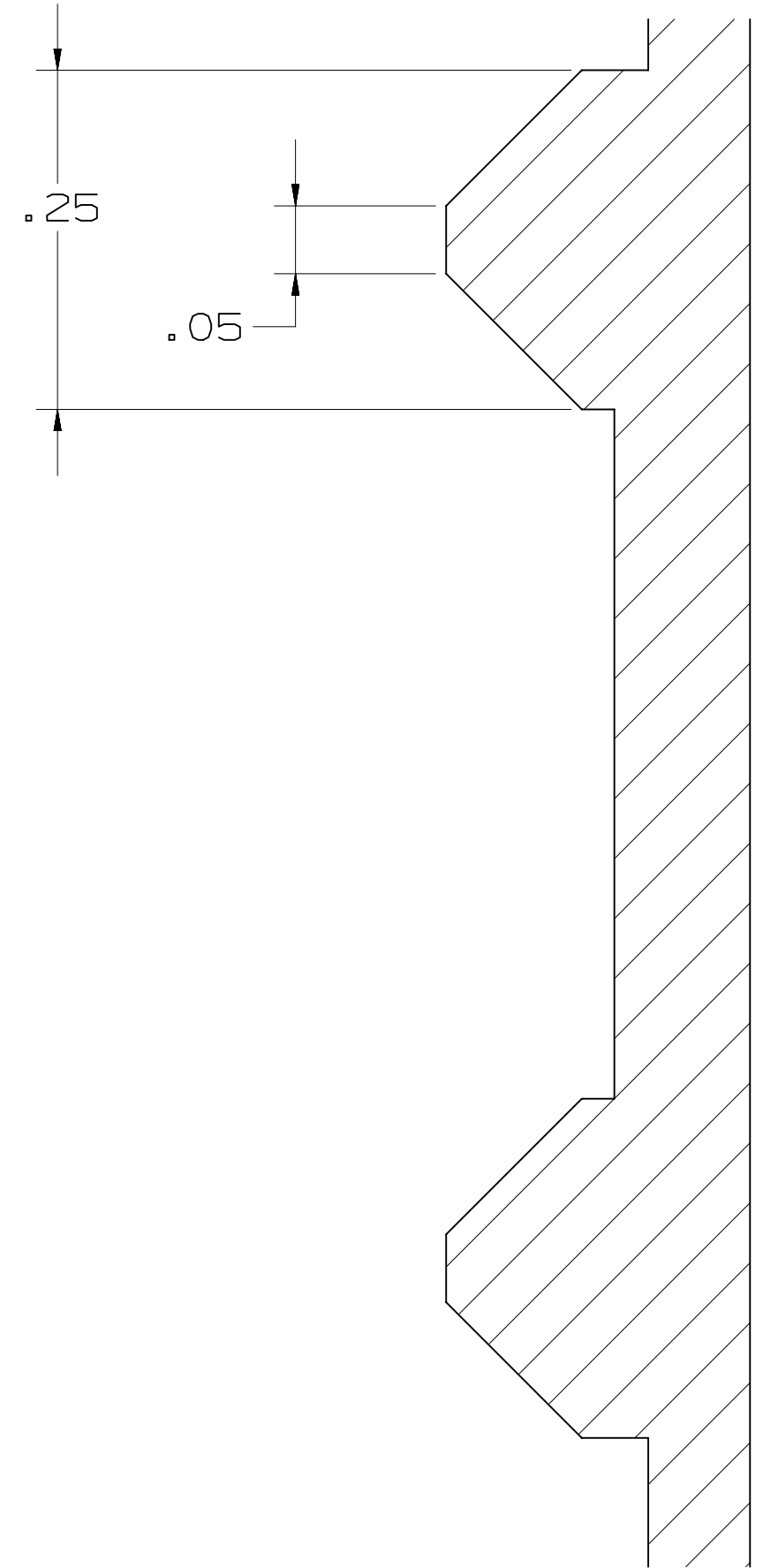
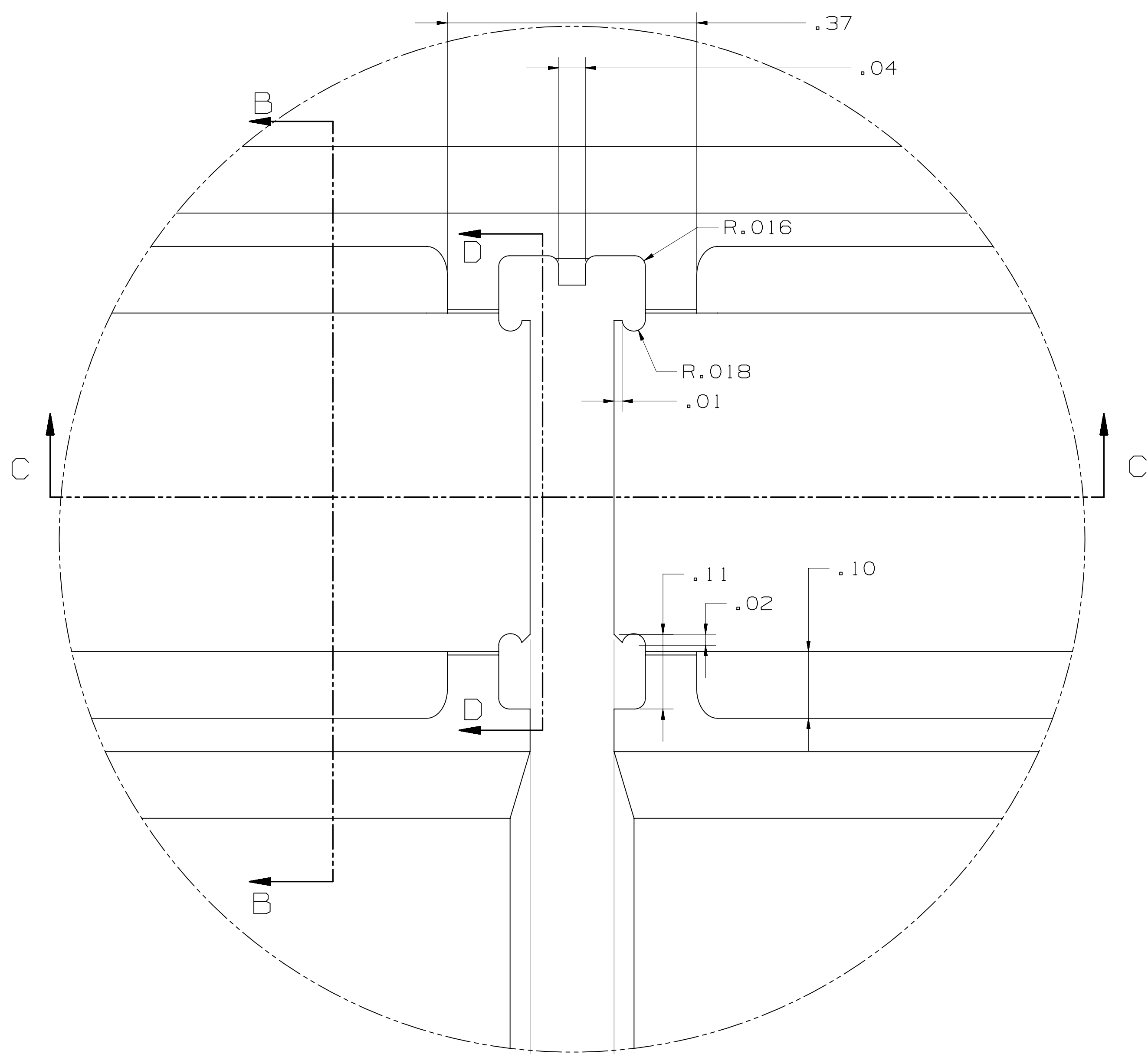
See Detail A



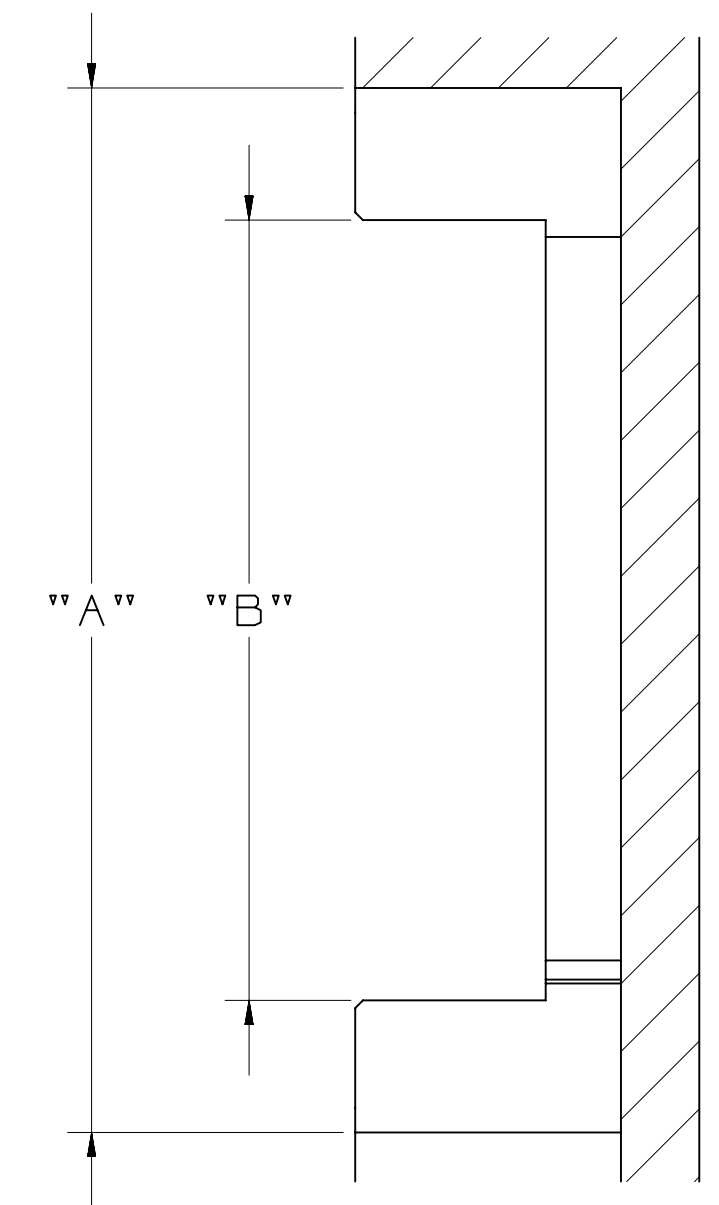
DESIGN REFERENCE		NEXT ASSEMBLY		REV	ECO	ISSUE DATE AND DESCRIPTION		DRFT	CHKD
SJS		SJS		DATE	DATE	MFG		DATE	DATE
SJS		SJS		DATE	DATE	APPL		DATE	DATE
DIVISION		DIVISION CODE		© 3M COPYRIGHT 2013 This document and the information it contains are 3M property and may not be reproduced or further distributed without 3M permission, or used or disclosed other than for 3M authorized purposes. All rights reserved.					
DO NOT SCALE DRAWING	SCALE 1/1	TOLERANCES EXCEPT AS NOTED		<b>3M</b> 3M Center St. Paul, MN 55144					
THIRD ANGLE PROJECTION	INTERPRET PER ASME Y14.5 - 2009	INCHES		TITLE <b>3443-81-20 3D PRINTED APPLICATION TOOLING SERIES 451</b>					
MAX SURFACE ROUGHNESS 125	ALL SURFACES MARKED ONLY	MILLIMETERS		CAGE NUMBER		DRAWING NO.		REV.	
		ANGLES ±1°		D 78-9102-0523-2		451		A	
				SHT 1 OF 3					

78-9102-0523-2  
DRAWING NUMBER

A

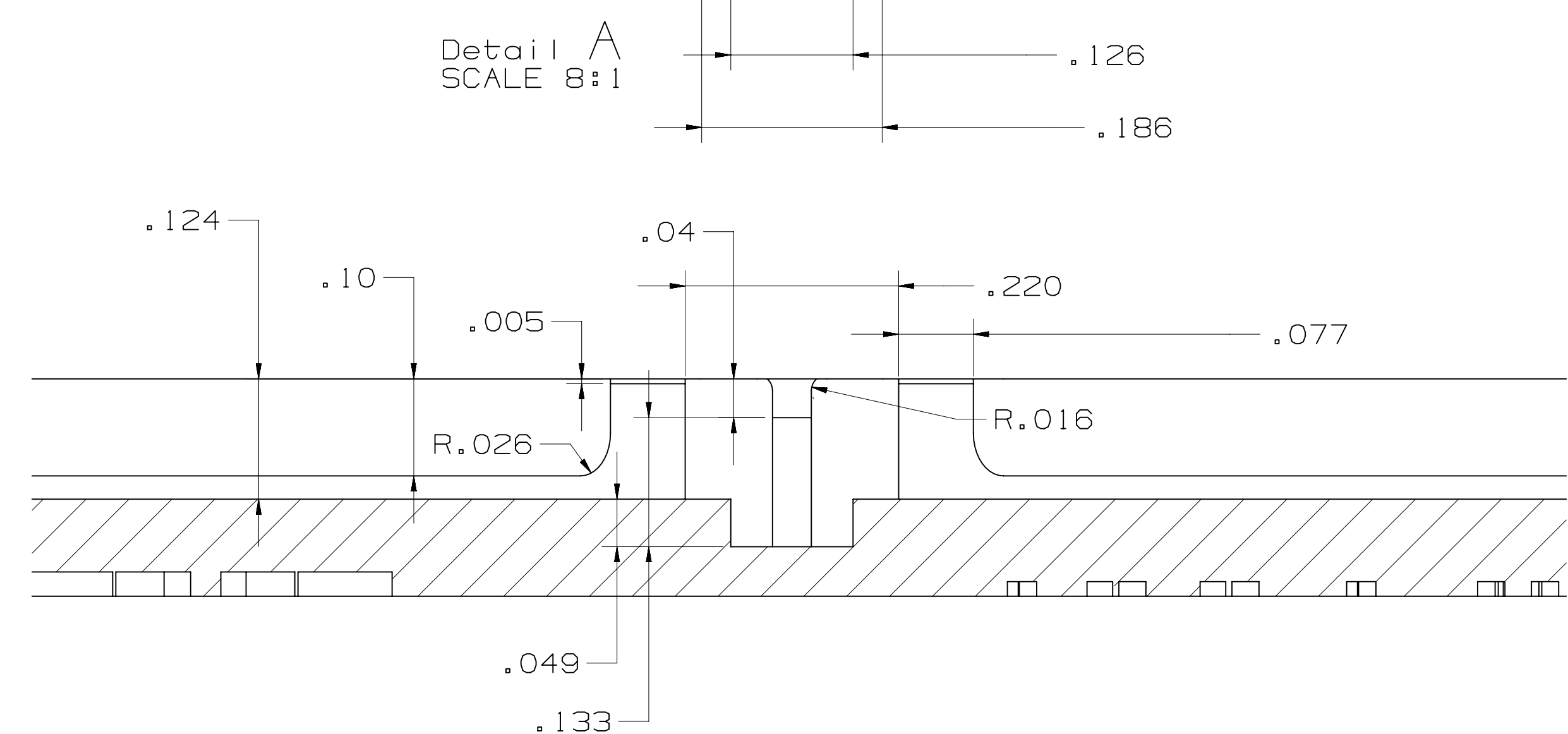


SECTION B - B



SECTION D - D

Detail A  
SCALE 8:1



SECTION C - C

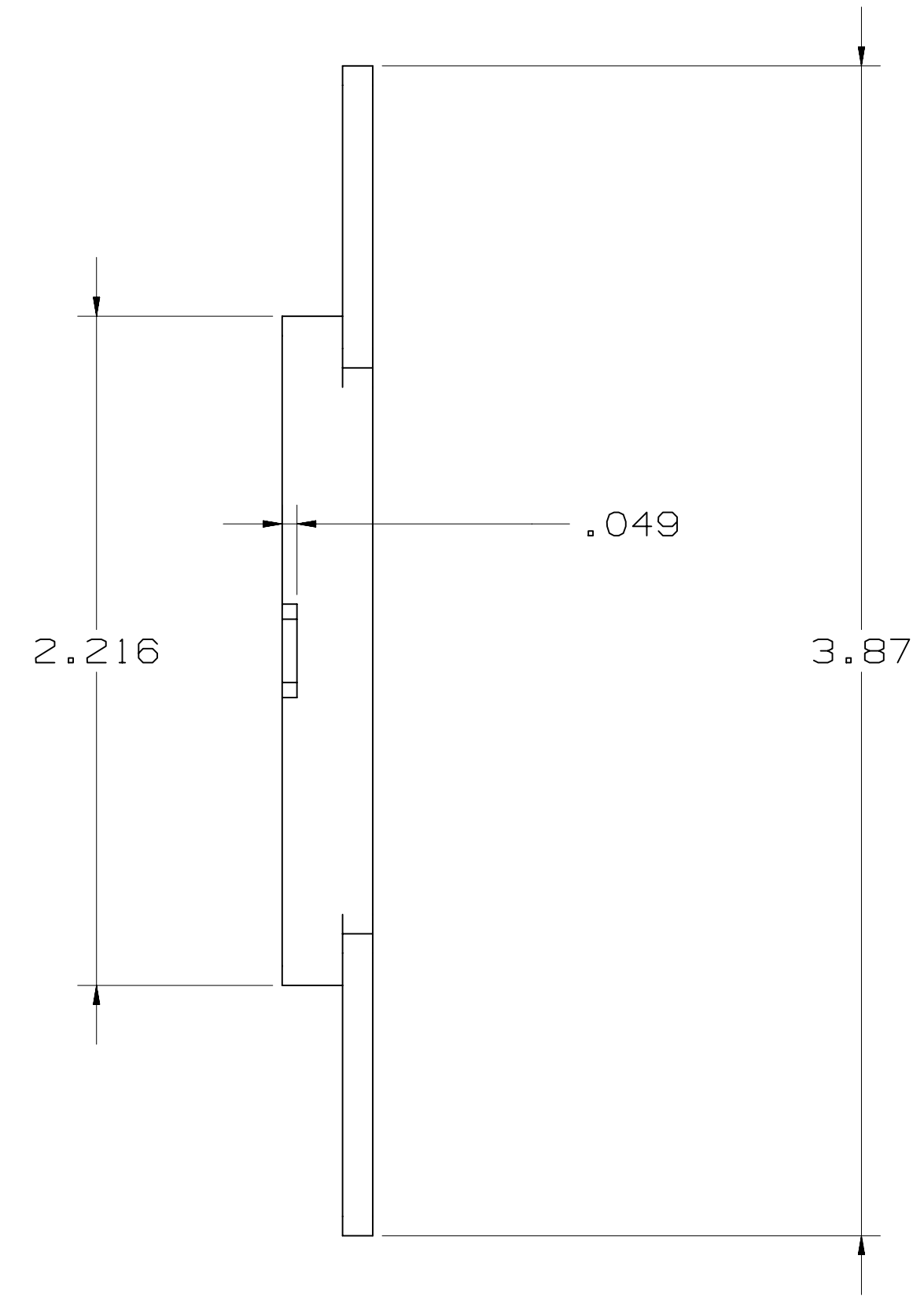
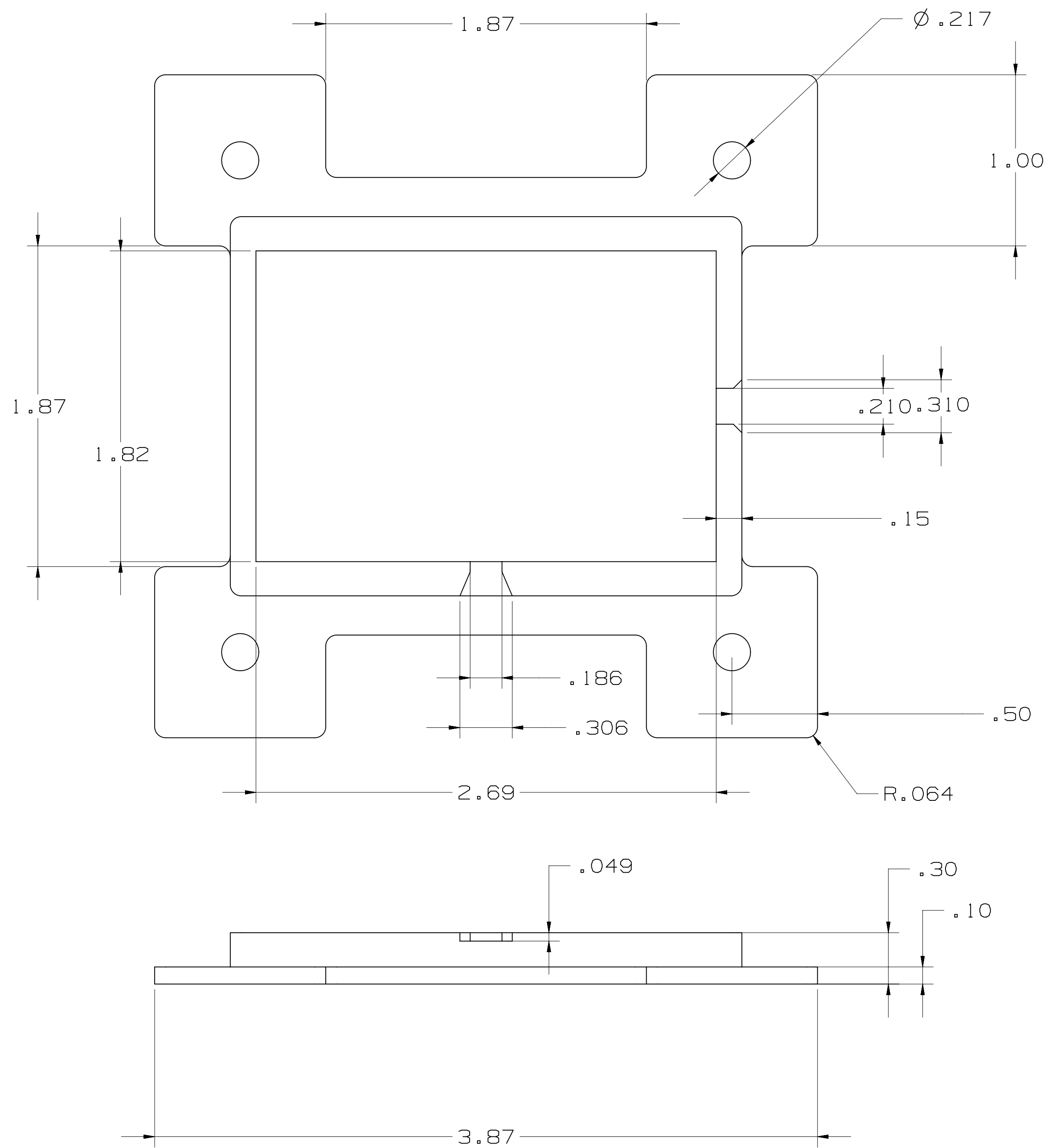
SIZE	A	B
4	0.28	0.11
6	0.33	0.16
8	0.38	0.21
10	0.43	0.26
12	0.48	0.31
14	0.53	0.36
16	0.58	0.41
20	0.68	0.51
30	0.93	0.76

DESIGN REFERENCE	NEXT ASSEMBLY	REV	ECO	ISSUE DATE AND DESCRIPTION	DRFT	CHKD
DIVISION		DIVISION CODE		DATE		
DO NOT SCALE DRAWING		SCALE 1/1		TOLERANCES EXCEPT AS NOTED		
THIRD ANGLE PROJECTION		INCHES .0 ± .1 .00 ± .02 .000 ± .005 .0000 ± .0002		MILLIMETERS 0 ± .0 ± .00 ± 200 ±		
MAX SURFACE ROUGHNESS 125		INTERPRET PER ASME Y14.5 - 2009		CAGE NUMBER D78-9102-0523-2		
ALL SURFACES MARKED ONLY		ANGLES ±1°		REV. A		

JAN 03, 2014  
 RELEASE  
 DEC 19, 2013  
 3M Center St. Paul, MN 55144  
 © 3M COPYRIGHT 2013  
 This document and the information it contains are 3M property and may not be reproduced or further distributed without 3M permission, or used or disclosed other than for 3M authorized purposes. All rights reserved.  
 3443-81-20 3D PRINTED APPLICATION TOOLING SERIES 451  
 SHT 2 OF 3

DRAWING NUMBER 78-9102-0523-2

REVISION A



DESIGN REFERENCE		NEXT ASSEMBLY		REV	ECO	ISSUE DATE AND DESCRIPTION	DRFT	CHKD
Access Codes		SJS		SJS	DEC 18, 2013	MFG		
DIVISION		DIVISION CODE		DATE	DATE	APPL	DATE	
DO NOT SCALE DRAWING		SCALE 1/1		TOLERANCES EXCEPT AS NOTED		© 3M COPYRIGHT 2013 This document and the information it contains are 3M property and may not be reproduced or further distributed without 3M permission, or used or disclosed other than for 3M authorized purposes. All rights reserved.		
THIRD ANGLE PROJECTION		INTERPRET PER ASME Y14.5 - 2009		INCHES		TITLE <b>3443-81-20 3D PRINTED APPLICATION TOOLING SERIES 451</b>		
MAX SURFACE ROUGHNESS 125		<input type="checkbox"/> ALL SURFACES <input checked="" type="checkbox"/> MARKED ONLY		MILLIMETERS		CAGE NUMBER <b>D78-9102-0523-2</b>		
		ANGLES ±1°		MODEL		DRAWING NO. <b>451</b>		
				SHT		3 OF 3		

DRAWING NUMBER 78-9102-0523-2

REVISION A