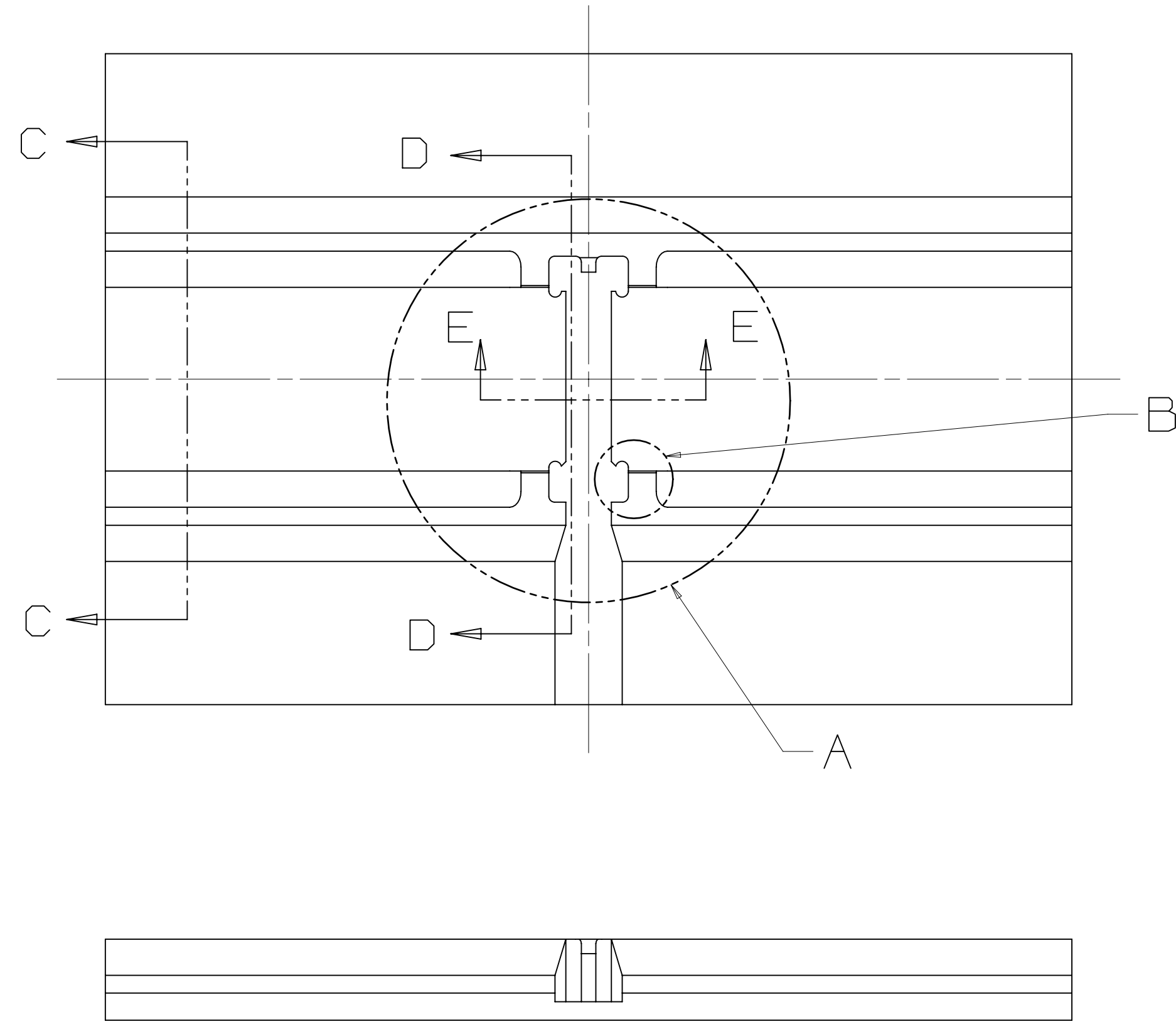
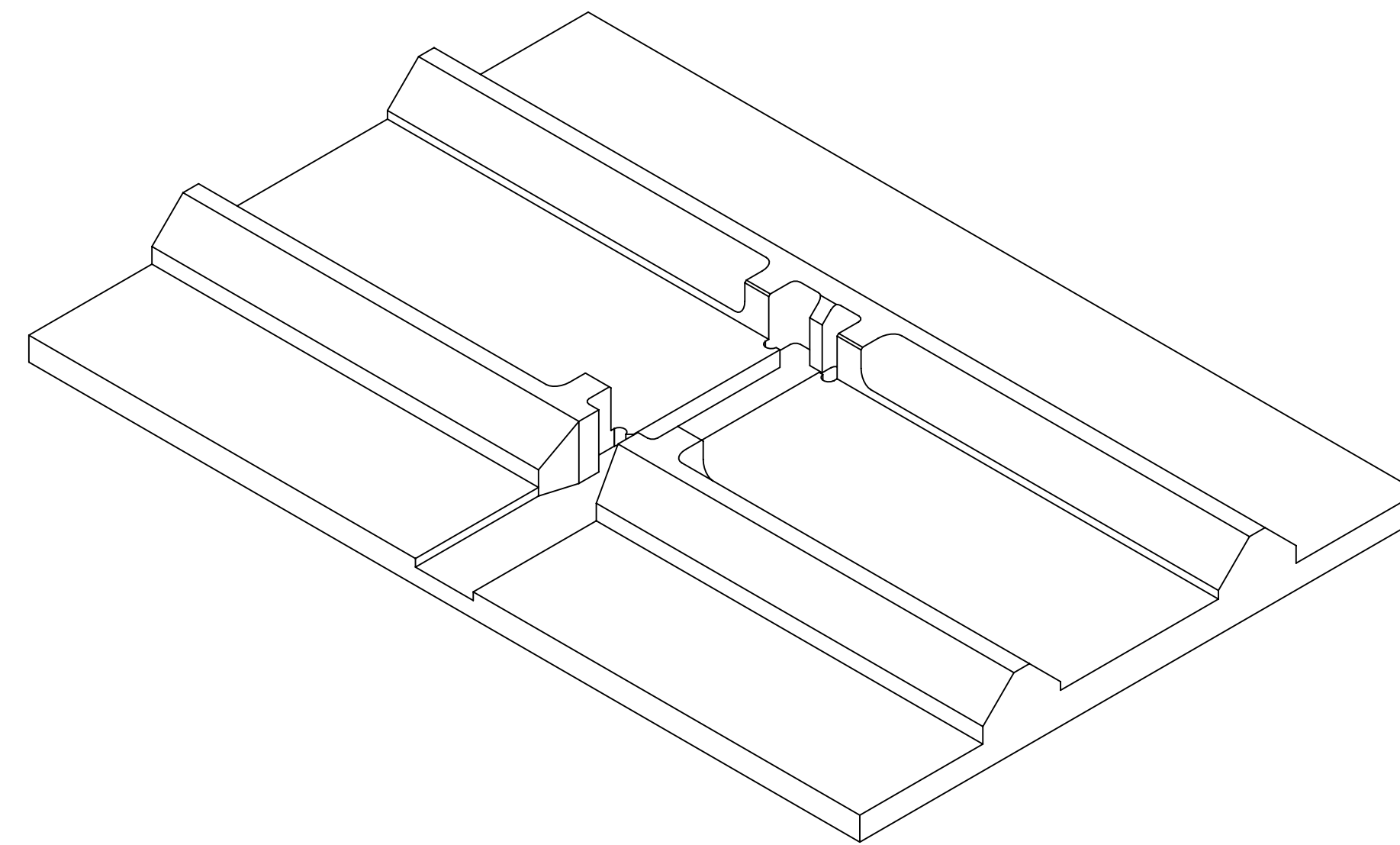
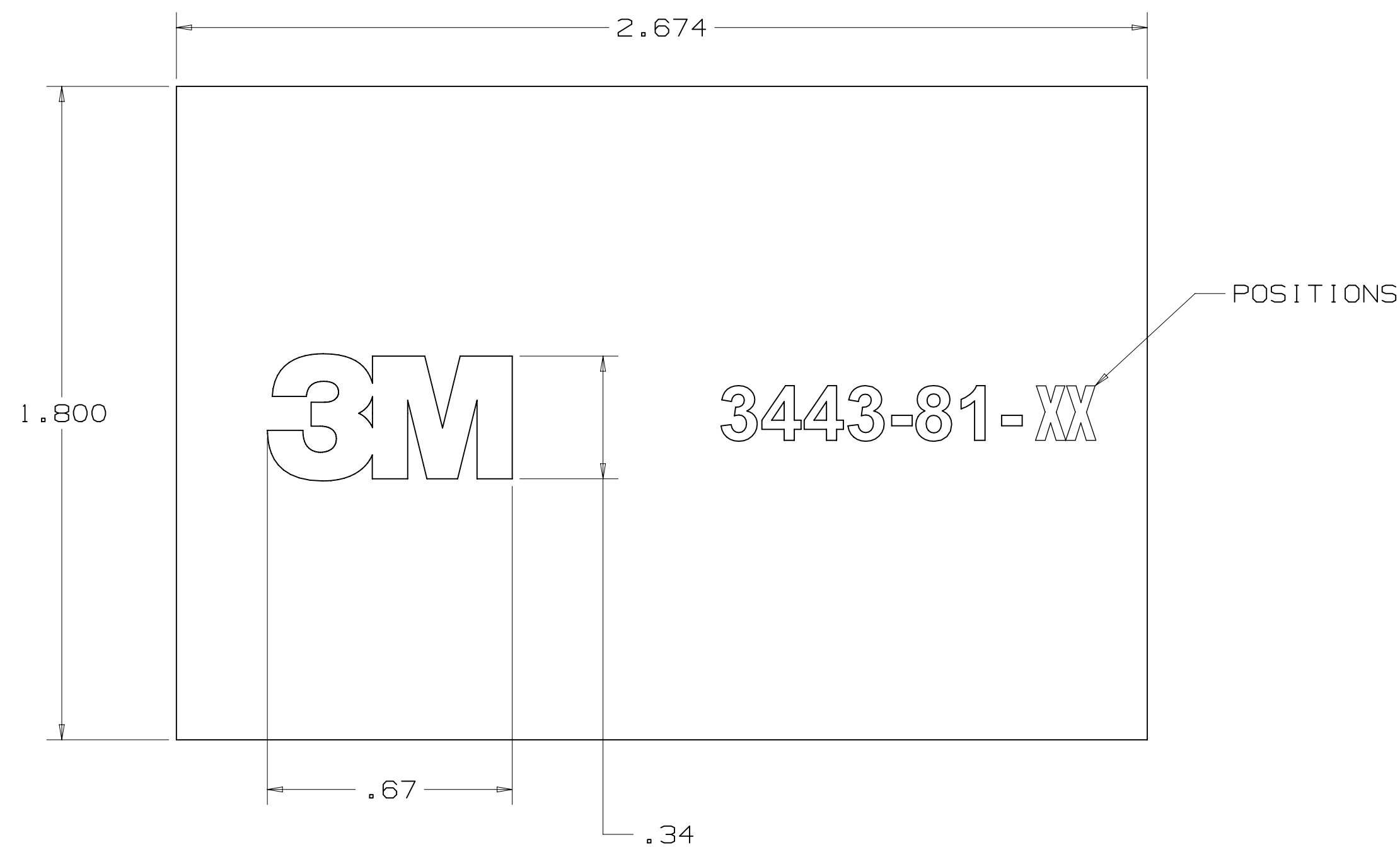


3M™ APPLICATION TOOLING, 3D PRINTED, 3443-81-XX, 451 SERIES  
LOCATOR PLATE AND BASE



POS.	CONNECTOR	TOOLING PART No.
04	45104	3443-81-04
06	45106	3443-81-06
08	45108	3443-81-08
10	45110	3443-81-10
12	45112	3443-81-12
14	45114	3443-81-14
16	45116	3443-81-16
20	45120	3443-81-20
26	45126	3443-81-26
30	45130	3443-81-30
34	45134	3443-81-34
40	45140	3443-81-40
50	45150	3443-81-50
BASE	ALL	3443-81-00

- NOTES
- MATERIAL: ABS
  - TEXT HEIGHT: .150±.005.
  - INSERT ON PAGES 1 AND 2.
  - BASE ON PAGE 3
  - STL FILES ARE AVAILABLE FOR DOWNLOAD.
  - 3M PROVIDES THESE FILES AND PRINTS AS REFERENCE ONLY. NO WARRANTY IS IMPLIED. CUSTOMER IS RESPONSIBLE FOR INSURING PLATE WORKS FOR THEIR APPLICATION AND ASSEMBLY PROCESS. PLATES ARE INTENDED FOR SMALL VOLUMES ONLY. FOR LARGER QUANTITIES, ORDER 3443-82-XX FROM 3M.
  - 3M INSTRUCTION GUIDE FOR APPLICATION TOOLING: 78-9102-1086-9.
  - ALL CHANGES MUST BE APPROVED BY 3M ENGINEERING BEFORE BEING IMPLEMENTED.
  - SEE TECH SHEET TS-2436 FOR ADDITIONAL CONNECTOR DETAILS AND BASIC PART NUMBERING SCHEME.



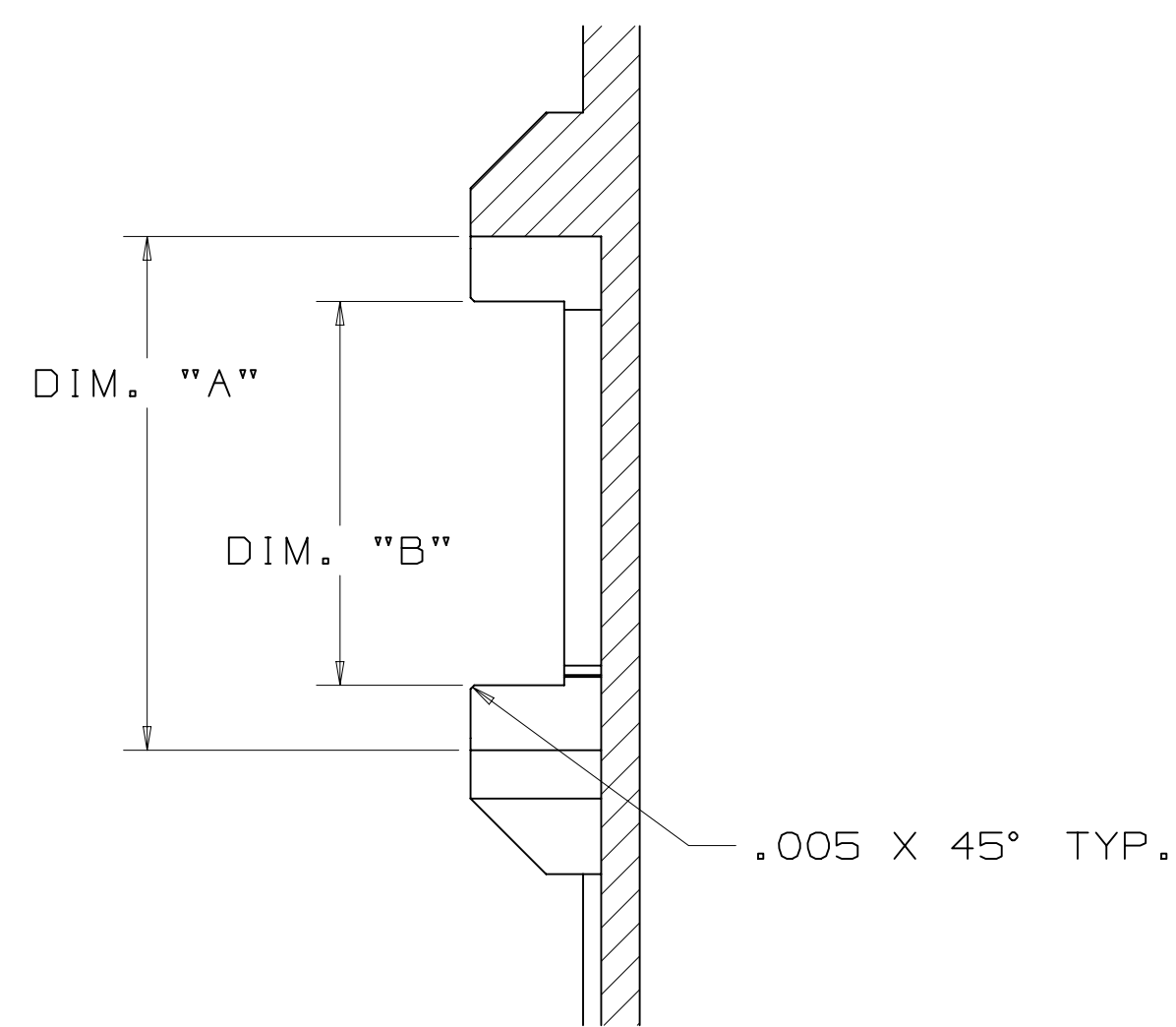
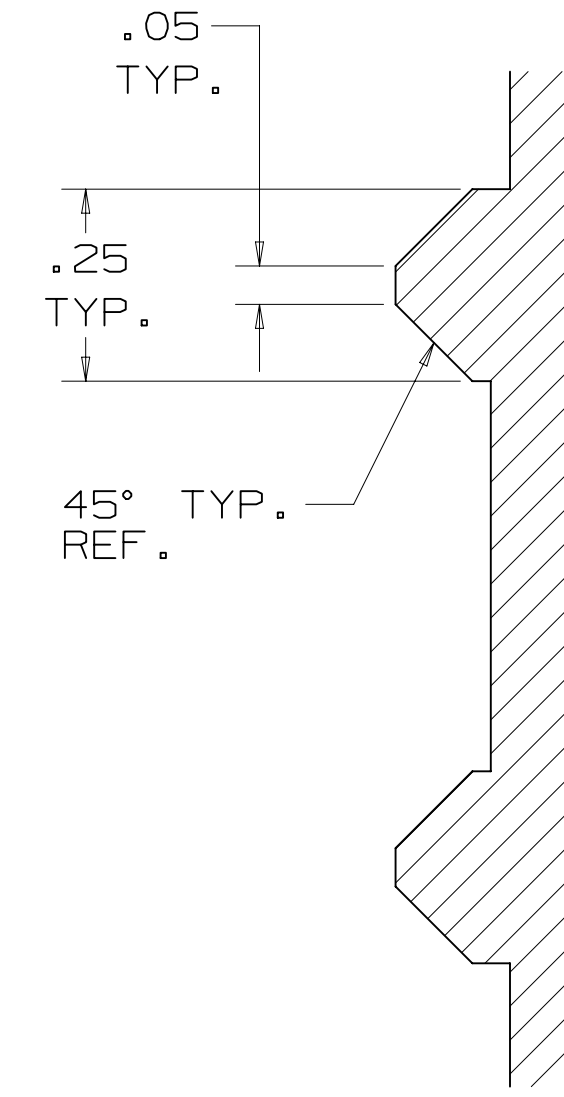
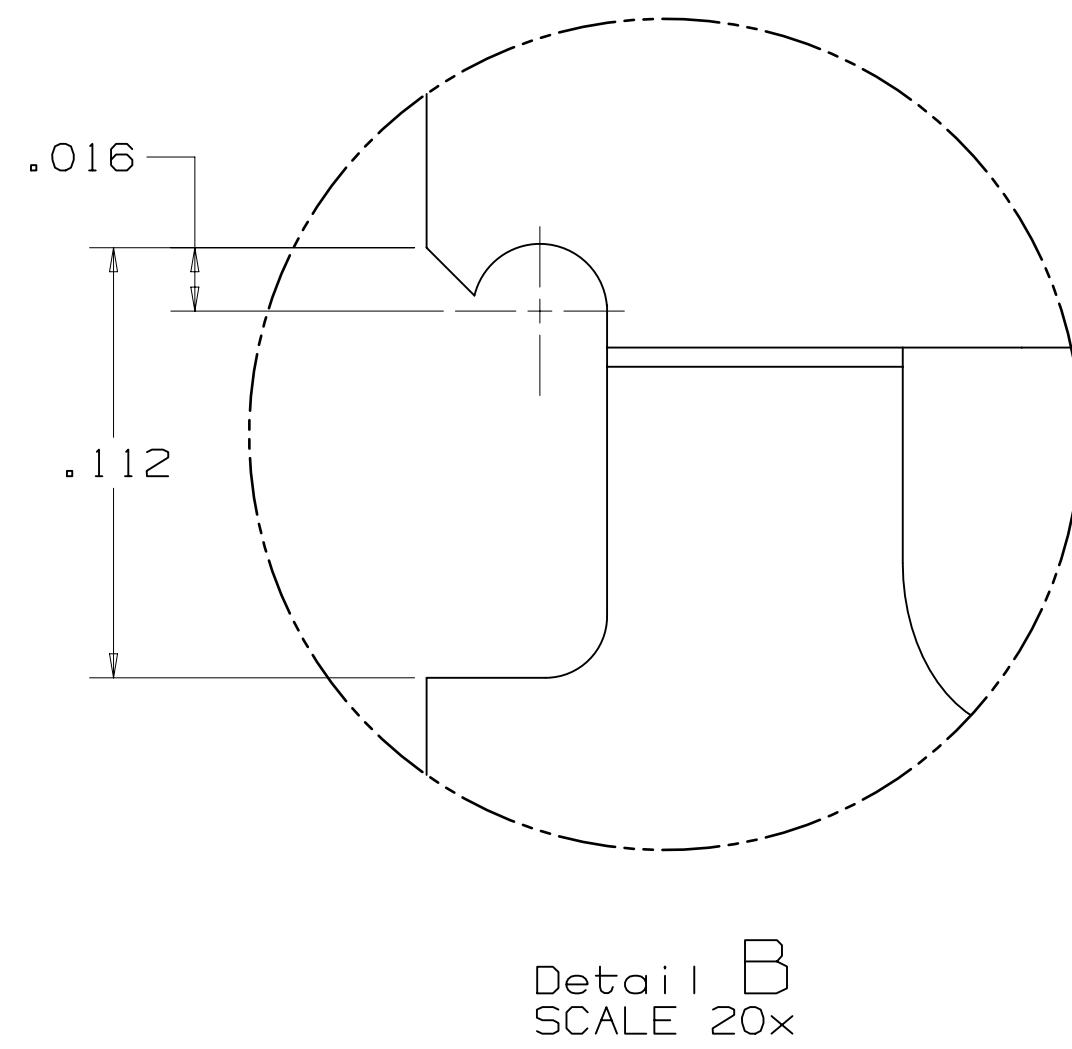
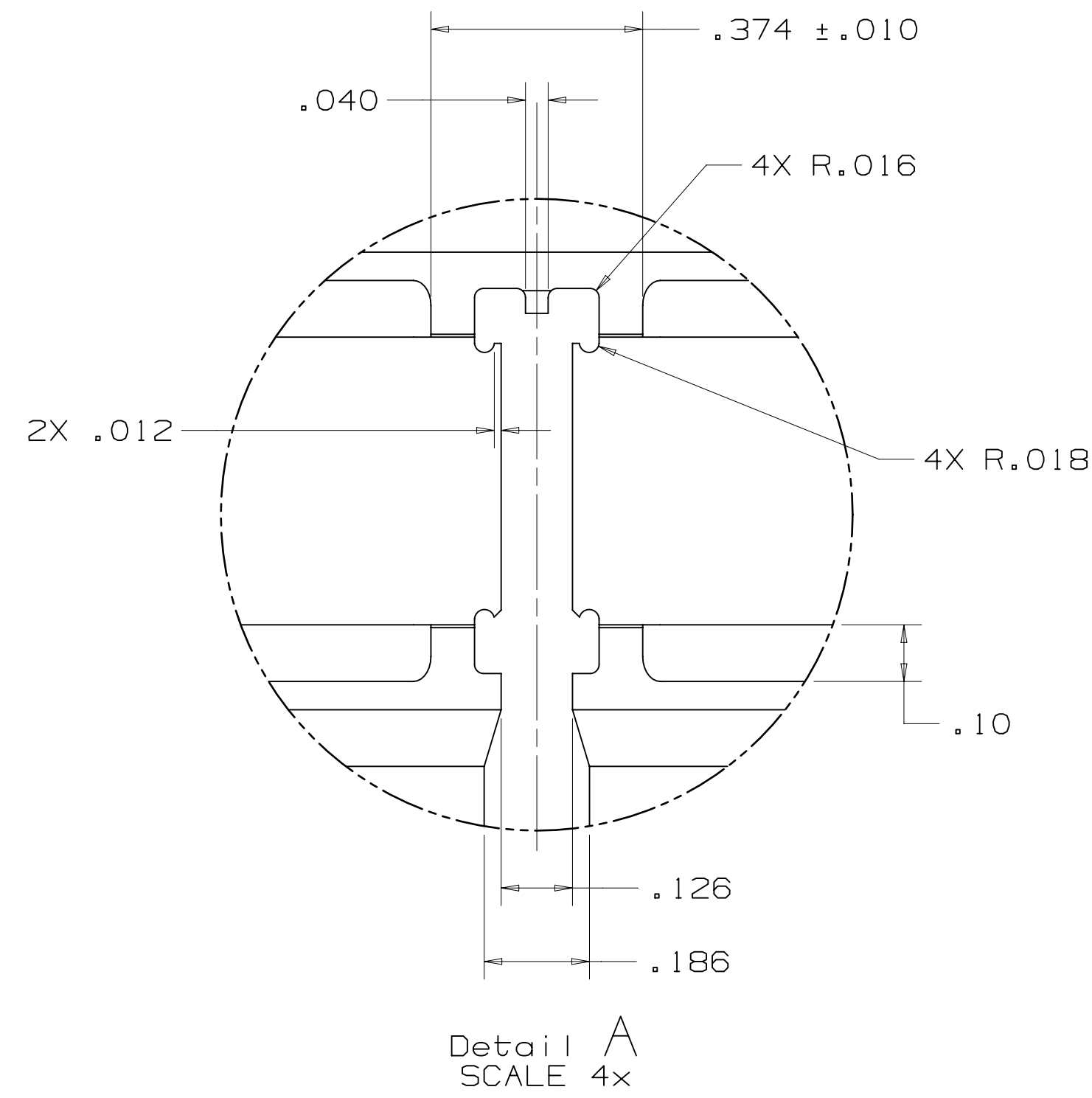
3M ELECTRONICS MATERIALS SOLUTIONS DIVISION  
INTERCONNECT SOLUTIONS  
<http://www.3m.com/interconnect>

3M IS A TRADEMARK OF 3M COMPANY.  
FOR TECHNICAL, SALES OR ORDERING  
INFORMATION CALL 800-225-5373

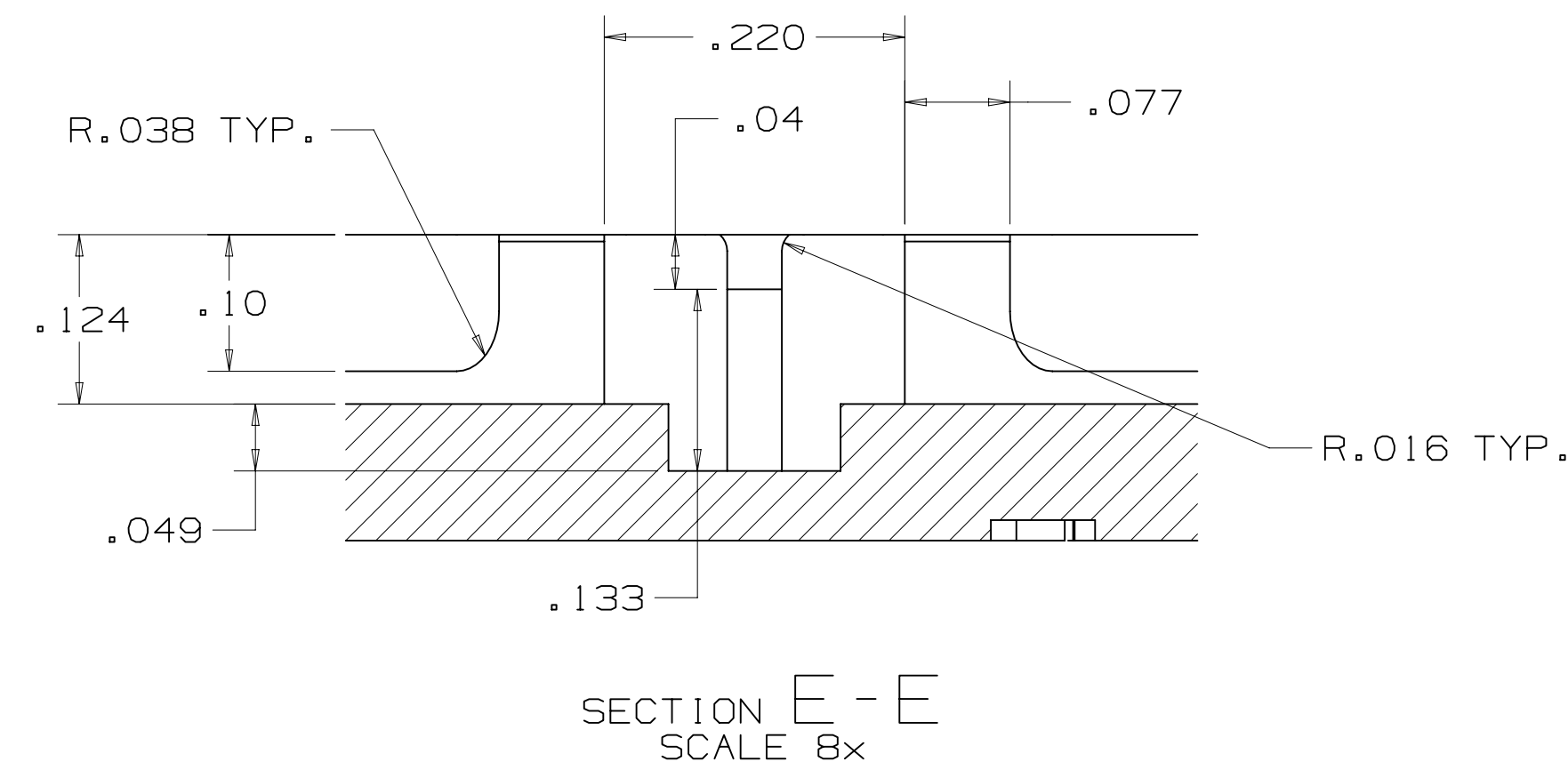
DESIGN REFERENCE	NEXT ASSEMBLY	REV	ECO	ISSUE DATE AND DESCRIPTION	DRFT	CHKD																																					
		SJS		DEC 18, 2013																																							
DIVISION	DIVISION CODE	DRW	DATE	APPVL	DATE																																						
	EMSD	SAN	DEC 18, 2013																																								
DO NOT SCALE DRAWING	SCALE 3/1	TOLERANCES EXCEPT AS NOTED																																									
THIRD ANGLE PROJECTION	INTERPRET PER ASME Y14.5 - 2018	<table border="1"> <tr><td>INCHES</td><td>0</td><td>±.1</td></tr> <tr><td></td><td>.00</td><td>±.01</td></tr> <tr><td></td><td>.000</td><td>±.005</td></tr> <tr><td></td><td>.0000</td><td>±.0002</td></tr> <tr><td>MILLIMETERS</td><td>0</td><td>±</td></tr> <tr><td></td><td>.0</td><td>±</td></tr> <tr><td></td><td>.00</td><td>±</td></tr> <tr><td></td><td>.000</td><td>±</td></tr> </table>					INCHES	0	±.1		.00	±.01		.000	±.005		.0000	±.0002	MILLIMETERS	0	±		.0	±		.00	±		.000	±													
INCHES	0	±.1																																									
	.00	±.01																																									
	.000	±.005																																									
	.0000	±.0002																																									
MILLIMETERS	0	±																																									
	.0	±																																									
	.00	±																																									
	.000	±																																									
MAX SURFACE ROUGHNESS	MARKED SURFACES	<table border="1"> <tr><td>INCHES</td><td>0</td><td>±</td></tr> <tr><td></td><td>.00</td><td>±</td></tr> <tr><td></td><td>.000</td><td>±</td></tr> </table>					INCHES	0	±		.00	±		.000	±																												
INCHES	0	±																																									
	.00	±																																									
	.000	±																																									
MARKED ONLY	ANGLES ±3°	<table border="1"> <tr><td>REV</td><td>ECO</td><td>ISSUE DATE AND DESCRIPTION</td><td>DRFT</td><td>CHKD</td></tr> <tr><td>B</td><td>94187</td><td>JAN 21, 2021 REVISED AND REDRAWN</td><td>JNC</td><td>SAN</td></tr> <tr><td>A</td><td>55321</td><td>JAN 03, 2014 PRODUCTION RELEASE</td><td>SJS</td><td>SAN</td></tr> </table>					REV	ECO	ISSUE DATE AND DESCRIPTION	DRFT	CHKD	B	94187	JAN 21, 2021 REVISED AND REDRAWN	JNC	SAN	A	55321	JAN 03, 2014 PRODUCTION RELEASE	SJS	SAN																						
REV	ECO	ISSUE DATE AND DESCRIPTION	DRFT	CHKD																																							
B	94187	JAN 21, 2021 REVISED AND REDRAWN	JNC	SAN																																							
A	55321	JAN 03, 2014 PRODUCTION RELEASE	SJS	SAN																																							
<table border="1"> <tr><td>DO NOT SCALE DRAWING</td><td>SCALE 3/1</td></tr> </table>		DO NOT SCALE DRAWING	SCALE 3/1	<table border="1"> <tr><td>INCHES</td><td>0</td><td>±.1</td></tr> <tr><td></td><td>.00</td><td>±.01</td></tr> <tr><td></td><td>.000</td><td>±.005</td></tr> <tr><td></td><td>.0000</td><td>±.0002</td></tr> <tr><td>MILLIMETERS</td><td>0</td><td>±</td></tr> <tr><td></td><td>.0</td><td>±</td></tr> <tr><td></td><td>.00</td><td>±</td></tr> <tr><td></td><td>.000</td><td>±</td></tr> </table>		INCHES	0	±.1		.00	±.01		.000	±.005		.0000	±.0002	MILLIMETERS	0	±		.0	±		.00	±		.000	±	<table border="1"> <tr><td>TITLE</td><td colspan="3">APPLICATION TOOLING, 3D PRINTED, 3443-81-XX, 451</td></tr> <tr><td>CAGE NUMBER</td><td>SIZE</td><td>DRAWING NO.</td><td>REV.</td></tr> <tr><td>D</td><td>78-5100-2644-2</td><td>B</td><td></td></tr> </table>		TITLE	APPLICATION TOOLING, 3D PRINTED, 3443-81-XX, 451			CAGE NUMBER	SIZE	DRAWING NO.	REV.	D	78-5100-2644-2	B	
DO NOT SCALE DRAWING	SCALE 3/1																																										
INCHES	0	±.1																																									
	.00	±.01																																									
	.000	±.005																																									
	.0000	±.0002																																									
MILLIMETERS	0	±																																									
	.0	±																																									
	.00	±																																									
	.000	±																																									
TITLE	APPLICATION TOOLING, 3D PRINTED, 3443-81-XX, 451																																										
CAGE NUMBER	SIZE	DRAWING NO.	REV.																																								
D	78-5100-2644-2	B																																									
<table border="1"> <tr><td>MODEL</td><td>451</td></tr> </table>		MODEL	451	<table border="1"> <tr><td>DET</td><td>1</td><td>OF</td><td>4</td></tr> </table>		DET	1	OF	4	<table border="1"> <tr><td>YES</td><td>NO</td></tr> <tr><td><input type="checkbox"/></td><td><input type="checkbox"/></td></tr> </table>		YES	NO	<input type="checkbox"/>	<input type="checkbox"/>																												
MODEL	451																																										
DET	1	OF	4																																								
YES	NO																																										
<input type="checkbox"/>	<input type="checkbox"/>																																										

78-5100-2644-2  
DRAWING NUMBER  
B  
1/21/2021 -- UTC  
Drf-set (hrs) 6

3M™ APPLICATION TOOLING, 3D PRINTED, 3443-81-XX, 451 SERIES  
LOCATOR PLATE AND BASE



POS.	DIM. A	DIM. B
04	0.28	0.11
06	0.33	0.16
08	0.38	0.21
10	0.43	0.26
12	0.48	0.31
14	0.53	0.36
16	0.58	0.41
20	0.68	0.51
26	0.83	0.66
30	0.93	0.76
34	1.03	0.86
40	1.18	1.01
50	1.43	1.26



DESIGN REFERENCE	NEXT ASSEMBLY	REV	ECO	ISSUE DATE AND DESCRIPTION	DRFT	CHKD
		SJS		DEC 18, 2013		
		SAN		DEC 18, 2013		
DIVISION	DIVISION CODE	© 3M COPYRIGHT 2021 This document and the information it contains are 3M property and may not be reproduced or further distributed without 3M permission, or used or disclosed other than for 3M authorized purposes. All rights reserved.				
DO NOT SCALE DRAWING	SCALE 4/1	TOLERANCES EXCEPT AS NOTED INCHES: .0 ±.01 .00 ±.005 .0000 ±.0002 MILLIMETERS: 0 ±.05 .00 ±.005 .000 ±.002 ANGLES ±3°				
THIRD ANGLE PROJECTION	INTERPRET PER ASME Y14.5 - 2018	TITLE APPLICATION TOOLING, 3D PRINTED, 3443-81-XX, 451				
MAX SURFACE ROUGHNESS	DT SURFACES	CAGE NUMBER	SIZE	DRAWING NO.	REV.	
MARKED ONLY		D78-5100-2644-2	B	451	2 OF 4	

78-5100-2644-2  
 DRAWING NUMBER  
 B  
 REVISION  
 1/21/2021  
 -- UTC  
 Drr-set (hrs) 6  
 A  
 Standard Time



