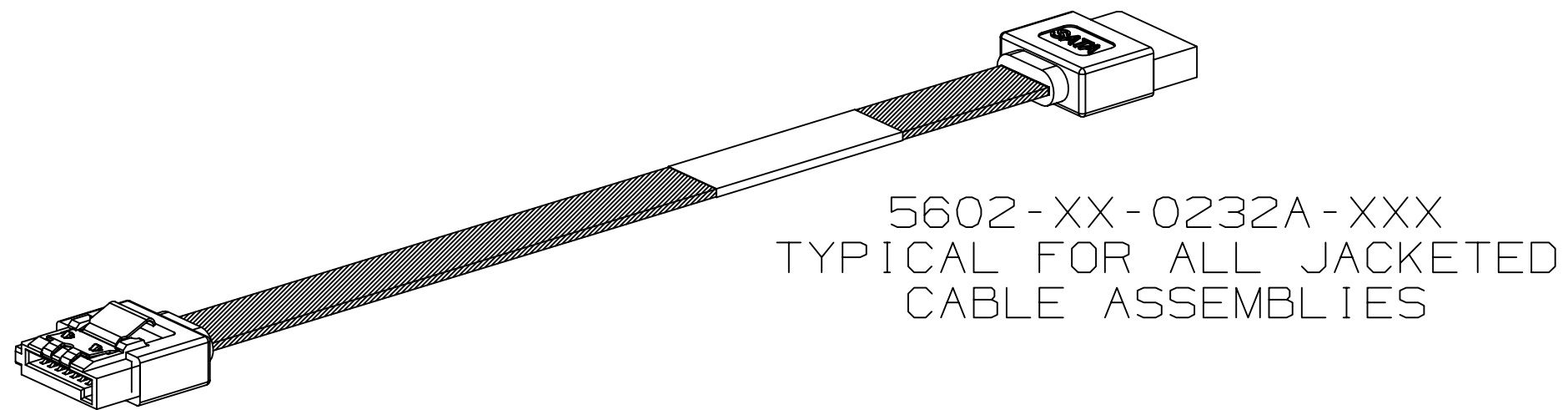
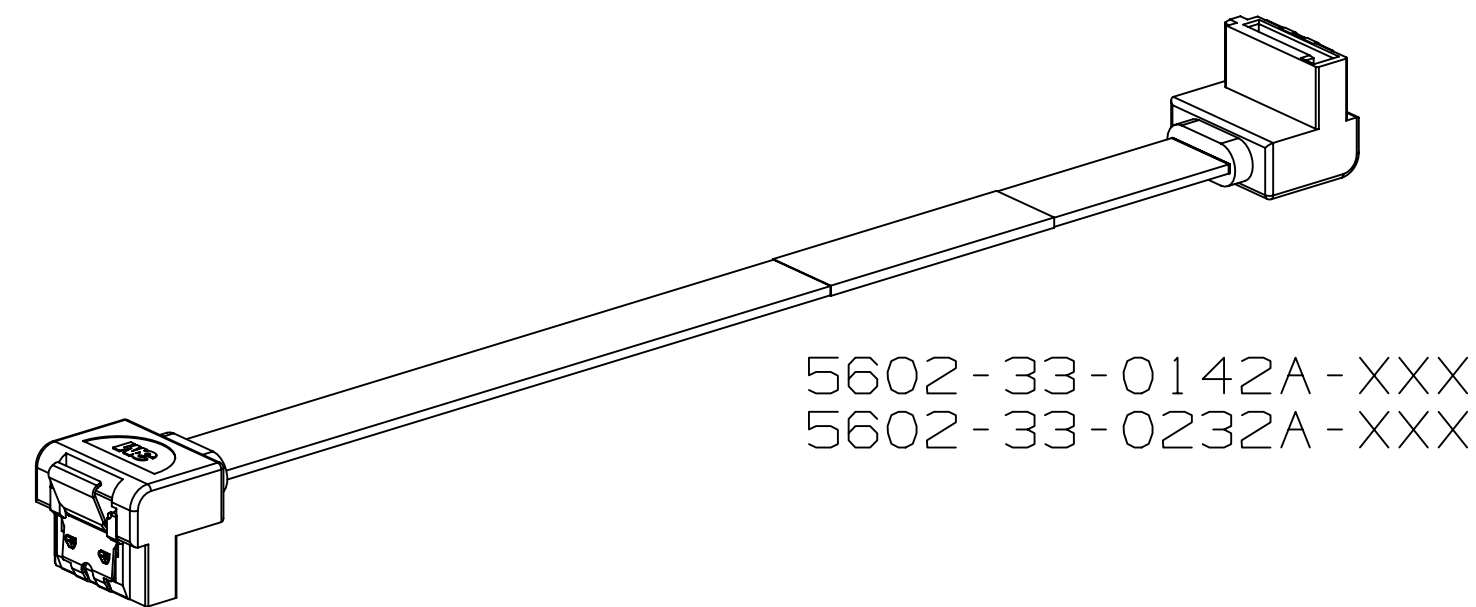
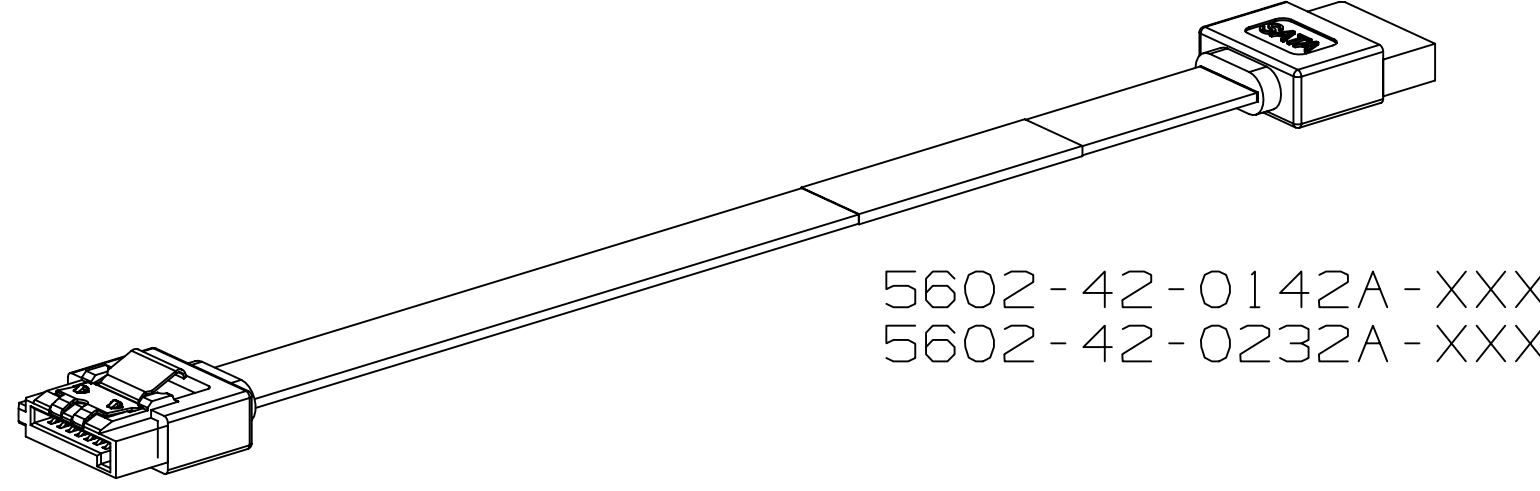
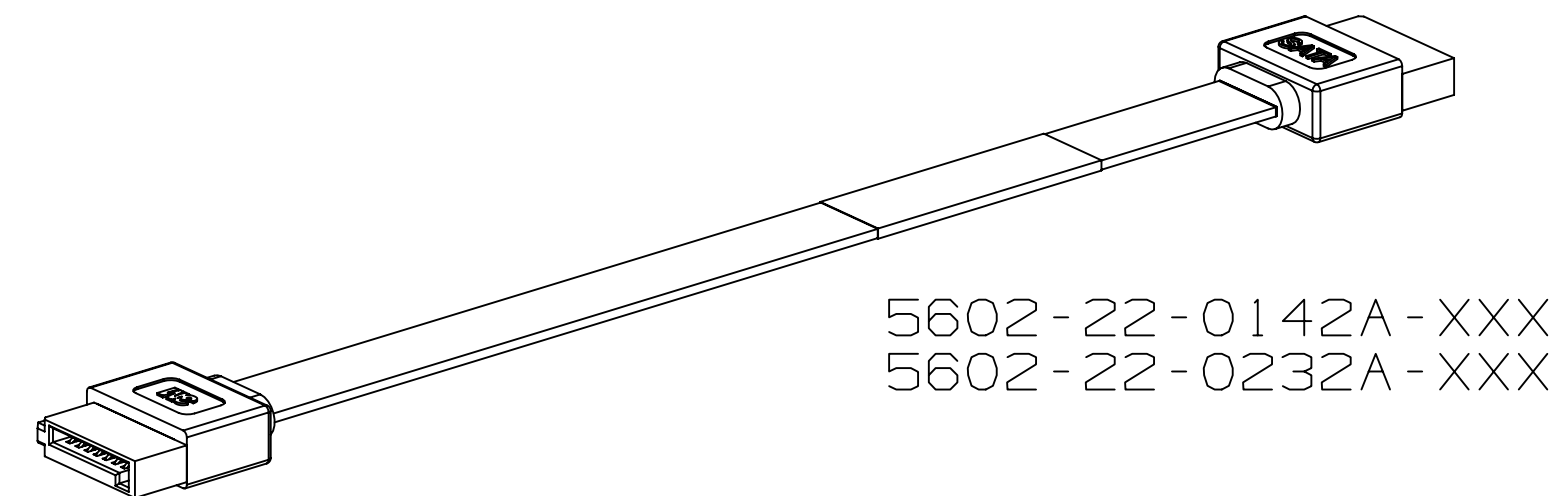
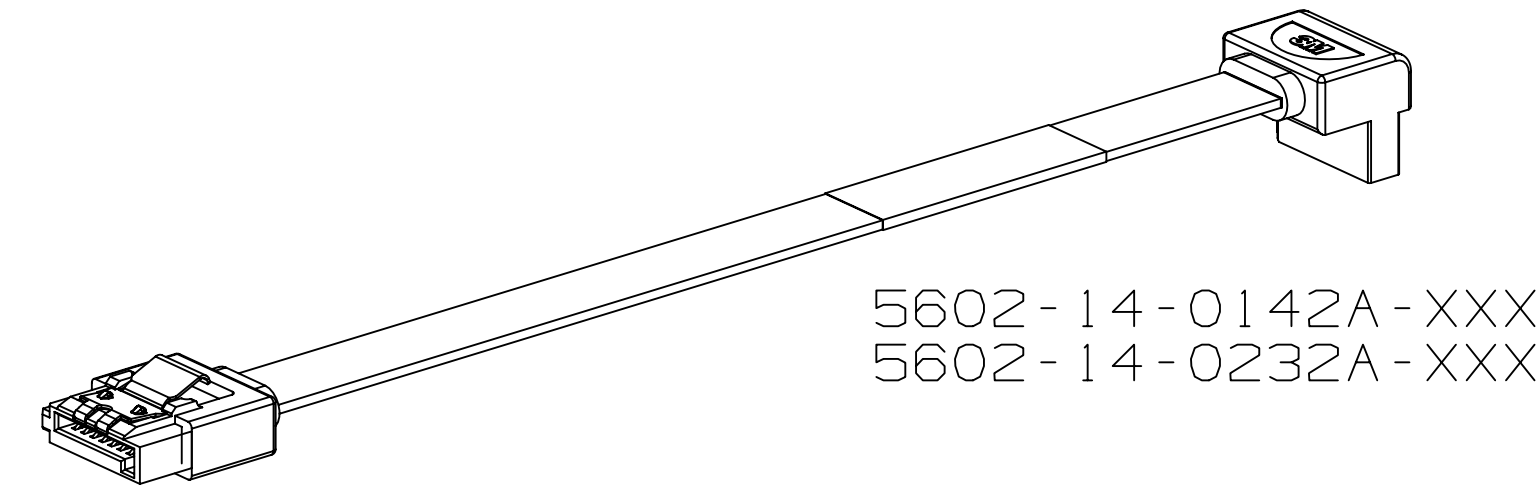
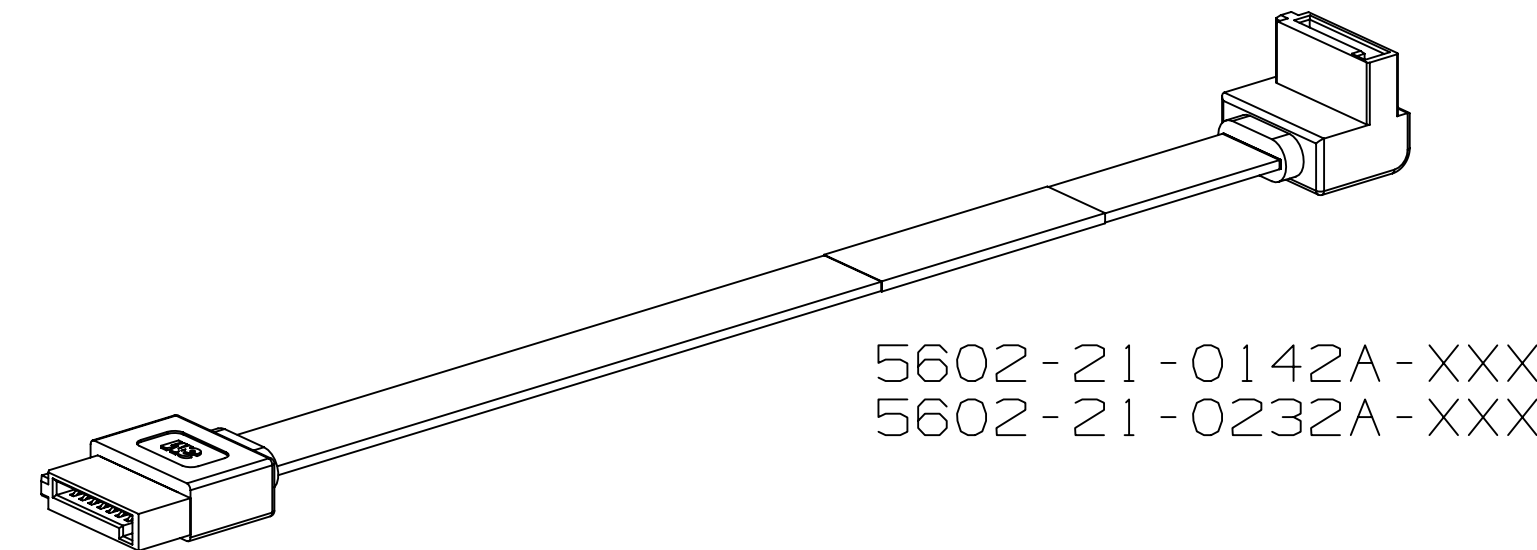
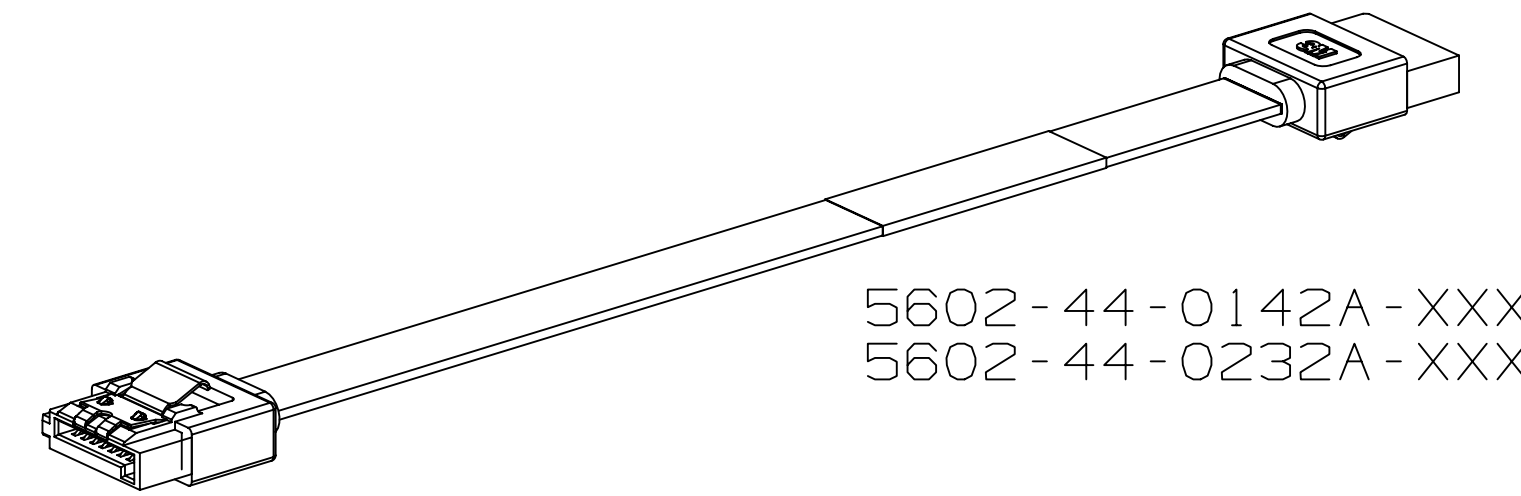
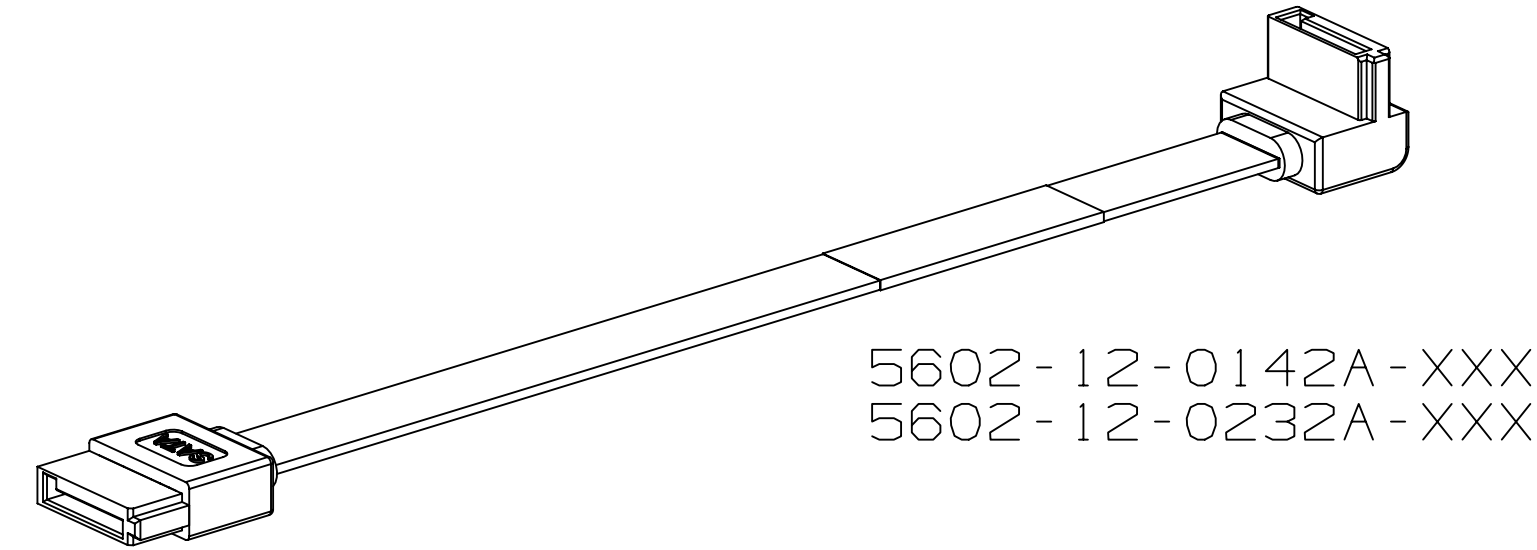
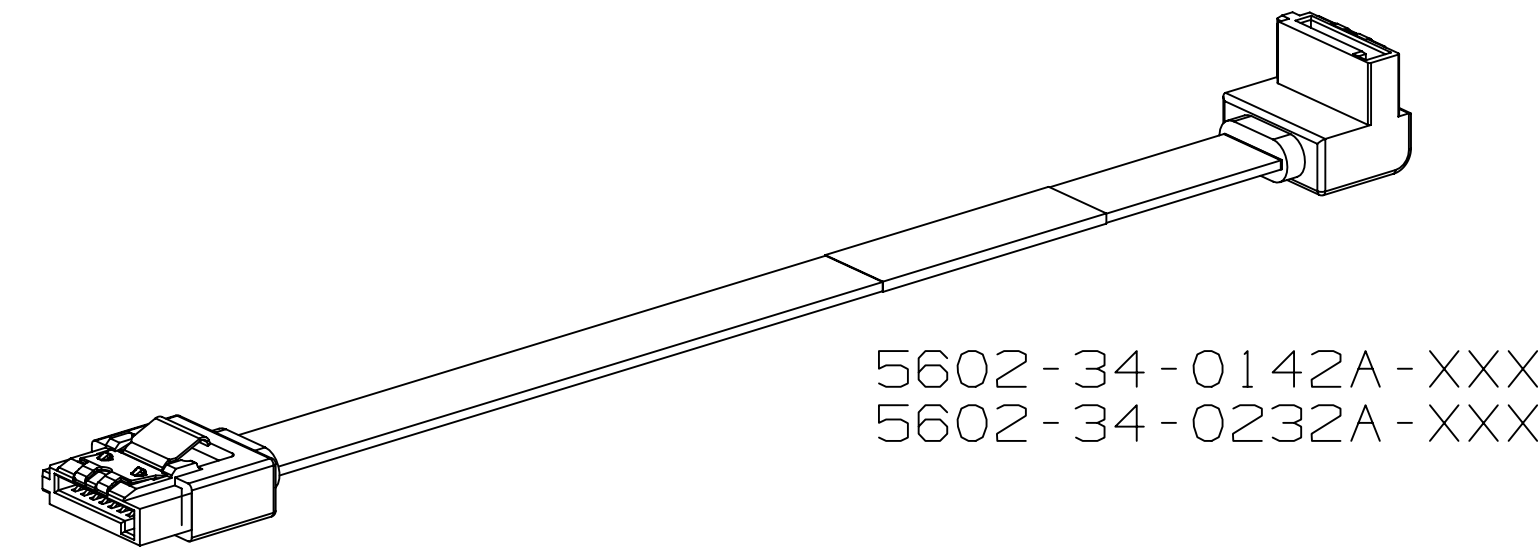
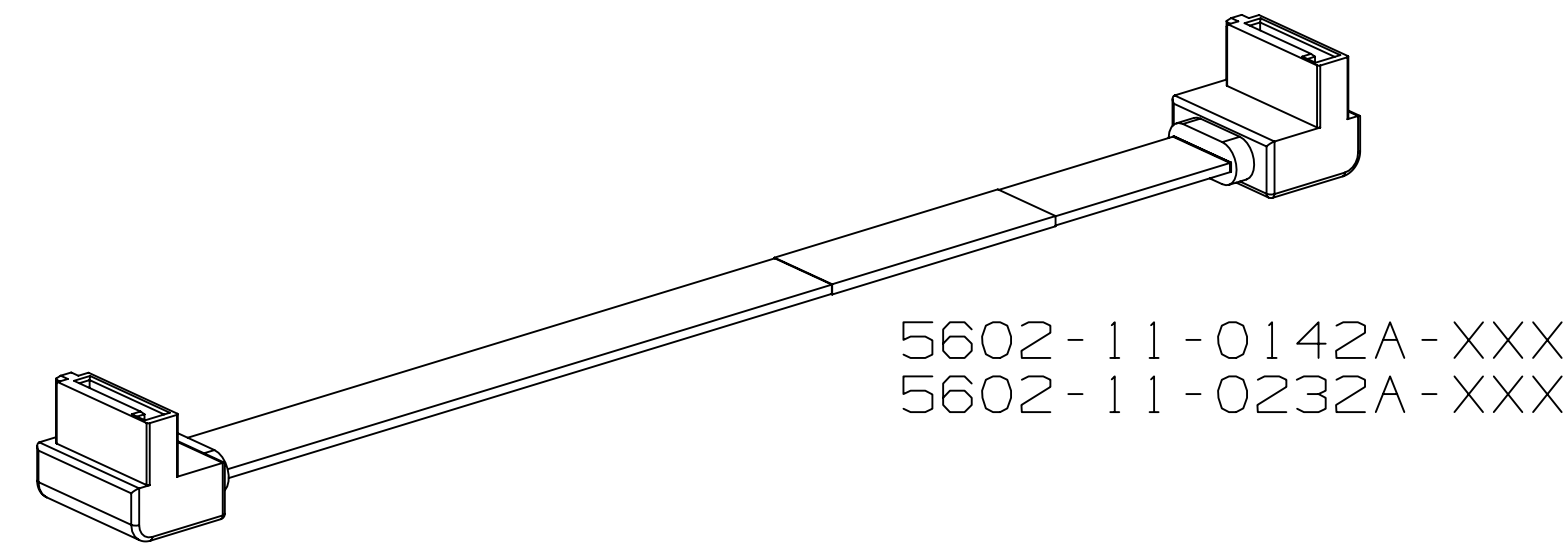
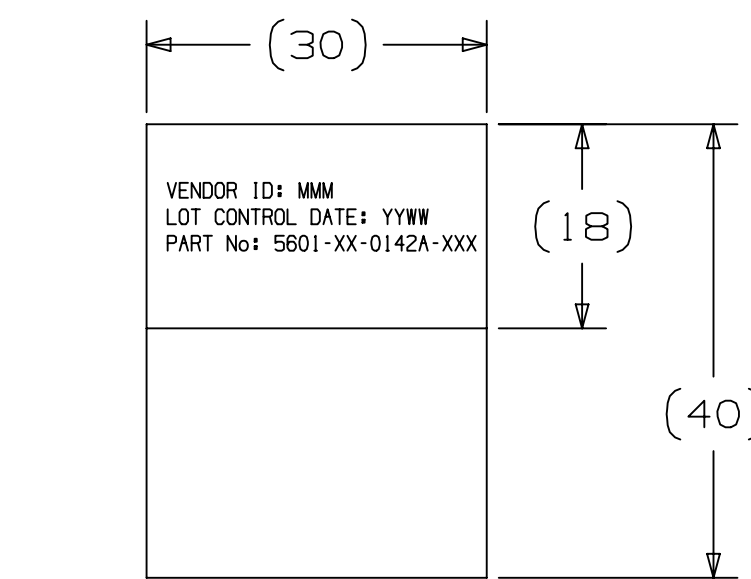


3M™ HIGH ROUTABILITY INTERNAL SATA CABLE ASSEMBLY, 5602 SERIES  
 7 PIN TWINAX CABLE ASSEMBLY, STRAIGHT AND RIGHT ANGLE, WITH AND WITHOUT LATCH, WITH AND WITHOUT JACKET



PIN OUT, TYPICAL

P1	TYPE	TYPE	P2
1	G	G	1
2	A+	A+	2
3	A-	A-	3
4	G	G	4
5	B-	B-	5
6	B+	B+	6
7	G	G	7



LABEL  
 (TYPICAL DIMENSIONS)

- NOTES
- REGULATORY INFORMATION: VISIT 3M.com/regs
  - FOR CUSTOM CABLE LENGTH, CONTACT 3M SALES REP.
  - NO JACKET CABLE PART NUMBER: SL8803/04-10DN5-00. JACKETED CABLE PART NUMBER: SL90T1-1QN-BNSP.
  - PRODUCT SPECIFICATION: PS-0117.
  - PVC OVERMOLDING AND PE INNER MOLDING AT BOTH ENDS.
  - PRODUCT MEETS SATA 3.0 SIGNAL INTEGRITY SPECIFICATIONS.
  - LENGTH TOLERANCE:  
 ±5 MM FOR LENGTHS LESS THAN 0.5 M.  
 ±10 MM FOR LENGTHS 0.5 TO 1.0 M.
  - UNLESS OTHERWISE NOTED, REFERENCES TO INDUSTRY SPECIFICATIONS ARE INTENDED TO INDICATE SUBSTANTIAL COMPLIANCE TO THE MATERIAL ELEMENTS OF THE SPECIFICATION. SUCH REFERENCES SHOULD NOT BE CONSTRUED AS A GUARANTEE OF COMPLIANCE TO ALL REQUIREMENTS IN A GIVEN SPECIFICATION.
  - NO JACKET VERSION 0142A: THIS CABLE CONSTRUCTION HAS A THIN ALUMINUM LAYER AT EACH EDGE. USER SHOULD EVALUATE ITS USE IN THEIR APPLICATION AND, IF NECESSARY, INSULATING TAPE MAY BE APPLIED TO COVER THE ALUMINUM LAYER, AS USER DEEMS APPROPRIATE. JACKETED VERSION 0232A COVERS THIS EDGE.
  - NO JACKET CABLE:  
 \* RIBBON TWINAX, SL8803/04.  
 \* UL: AWM 2100B.  
 \* VOLTAGE RATING: 150V.  
 \* TEMPERATURE RATING: 80C°.  
 \* SIGNAL WIRES:  
 30 AWG SILVER PLATED COPPER.
  - CABLE, PVC JACKETED:  
 \* RIBBON TWINAX, SL90T1-1QN-BNSP.  
 \* 1.2MM THICKNESS.  
 \* UL: AWM 2100B.  
 \* VOLTAGE RATING: 150V.  
 \* TEMPERATURE RATING: 80C°.  
 \* SIGNAL WIRES:  
 30 AWG SILVER PLATED COPPER.
  - SATA CONNECTORS:  
 \* 7 PIN FEMALE, STRAIGHT OR RIGHT ANGLE.  
 \* COLOR:  
 BLACK, GLASS FILLED PBT.  
 \* PLATING: 15µ" AU.

REV	ECO	ISSUE DATE AND DESCRIPTION	DRFT	CHKD
G	127848	DEC 16, 2025 REVISE LOGO AND LABEL	JNC	MML
F	124281	JUN 25, 2025 ADD JACKETED CABLE	JNC	MML
E	114747	MAY 13, 2024 REVISE AND REDRAWN	JNC	MML
D	47119	APR 09, 2013 ADD SHEET 8 & 9	RV	RV
C	43801	DEC 31, 2012 CABLE P/N CHANGE	RV	RV
B	42030	JUL 07, 2012 REVISED DRAWING	RV	RV
A	37492	SEP 05, 2011 REVISED DRAWING	RV	RV

DESIGN REFERENCE	NEXT ASSEMBLY	REV	ECO	ISSUE DATE AND DESCRIPTION	DRFT	CHKD
RAO VITTAPALLI	RAO VITTAPALLI	RAO VITTAPALLI	RAO VITTAPALLI	JUL 02, 2016	MFR	DATE
RAO VITTAPALLI	RAO VITTAPALLI	RAO VITTAPALLI	SAJJIT BANDHU	JUL 02, 2016	APPR	DATE
DIVISION		DIVISION CODE		DEPP		
DO NOT SCALE DRAWING	SCALE	TOLERANCES EXCEPT AS NOTED		INCHES .00 ± .008 ± .0000 ±		
THIRD ANGLE PROJECTION	INTERPRET PER ASME Y14.5 - 2018	MILLIMETERS		0 ± .00 ± .000 ±		
MAX SURFACE ROUGHNESS	ALL SURFACES	ANGLES		0 ± .000 ±		
3M 3M Center St. Paul, MN 55144 © 3M COPYRIGHT 2025 This document and the information it contains are 3M property and may not be reproduced or further distributed without 3M permission, or used or disclosed other than for 3M authorized purposes. All rights reserved.		TITLE		HIGH ROUTABILITY INTERNAL SATA CABLE ASSEMBLY		
CAGE NUMBER	SIZE	DRAWING NO.	REV.	DET 1 OF 7 YES NO SHT 1 OF 7		
D	78-5100	4897-4	G			

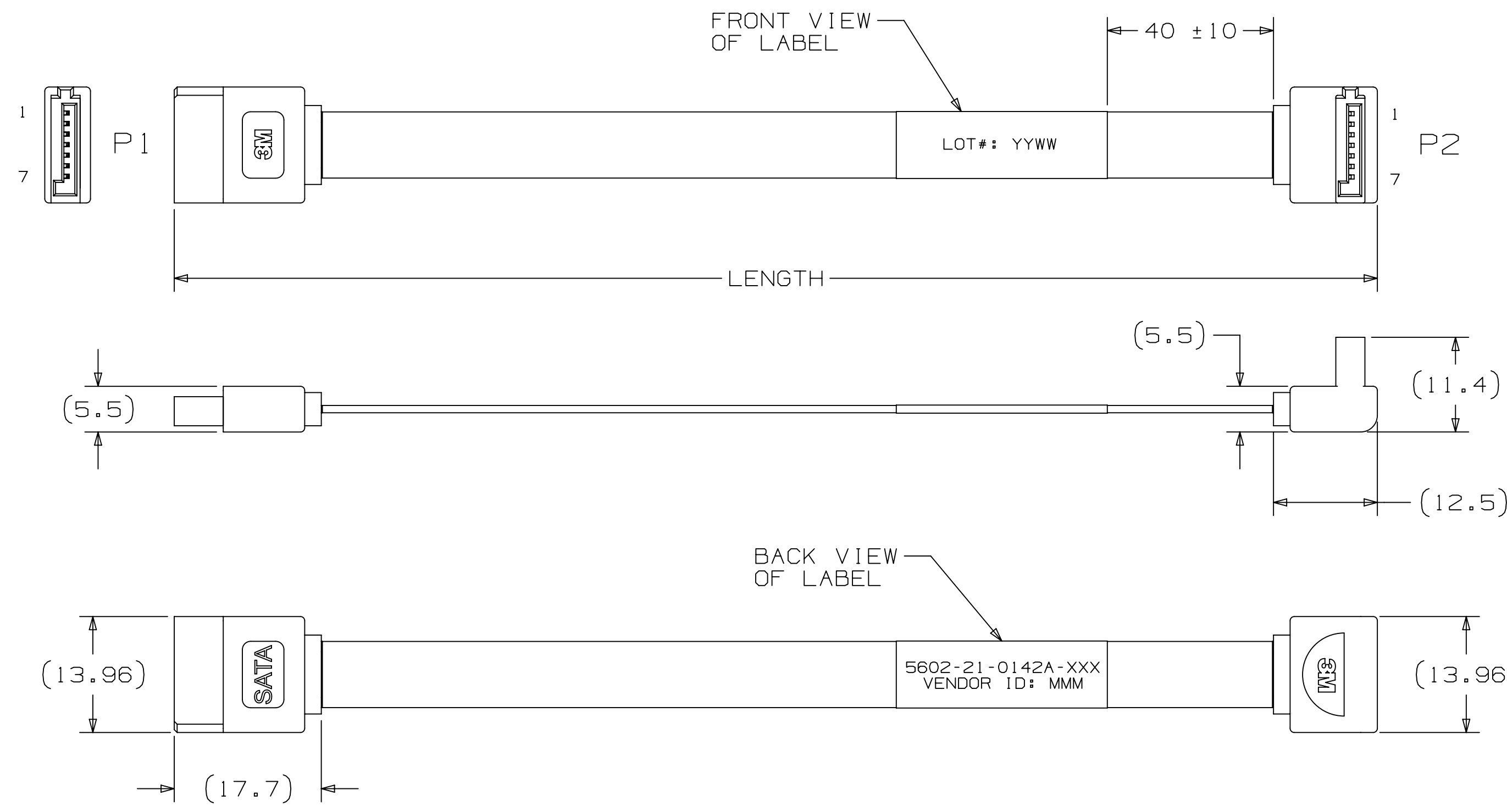
3M™ Display and Electronics Product Platform, (DEPP)  
 Transportation and Electronics Business Group (TEBG)  
<http://www.3M.com/interconnect>  
 3M IS A TRADEMARK OF 3M COMPANY.  
 FOR TECHNICAL, SALES OR ORDERING  
 INFORMATION CALL 800-225-5373

78-5100-4897-4 G REVISION DRAWING NUMBER



3M™ HIGH ROUTABILITY INTERNAL SATA CABLE ASSEMBLY, 5602 SERIES  
 7 PIN TWINAX CABLE ASSEMBLY, STRAIGHT AND RIGHT ANGLE, WITH AND WITHOUT LATCH, WITH AND WITHOUT JACKET

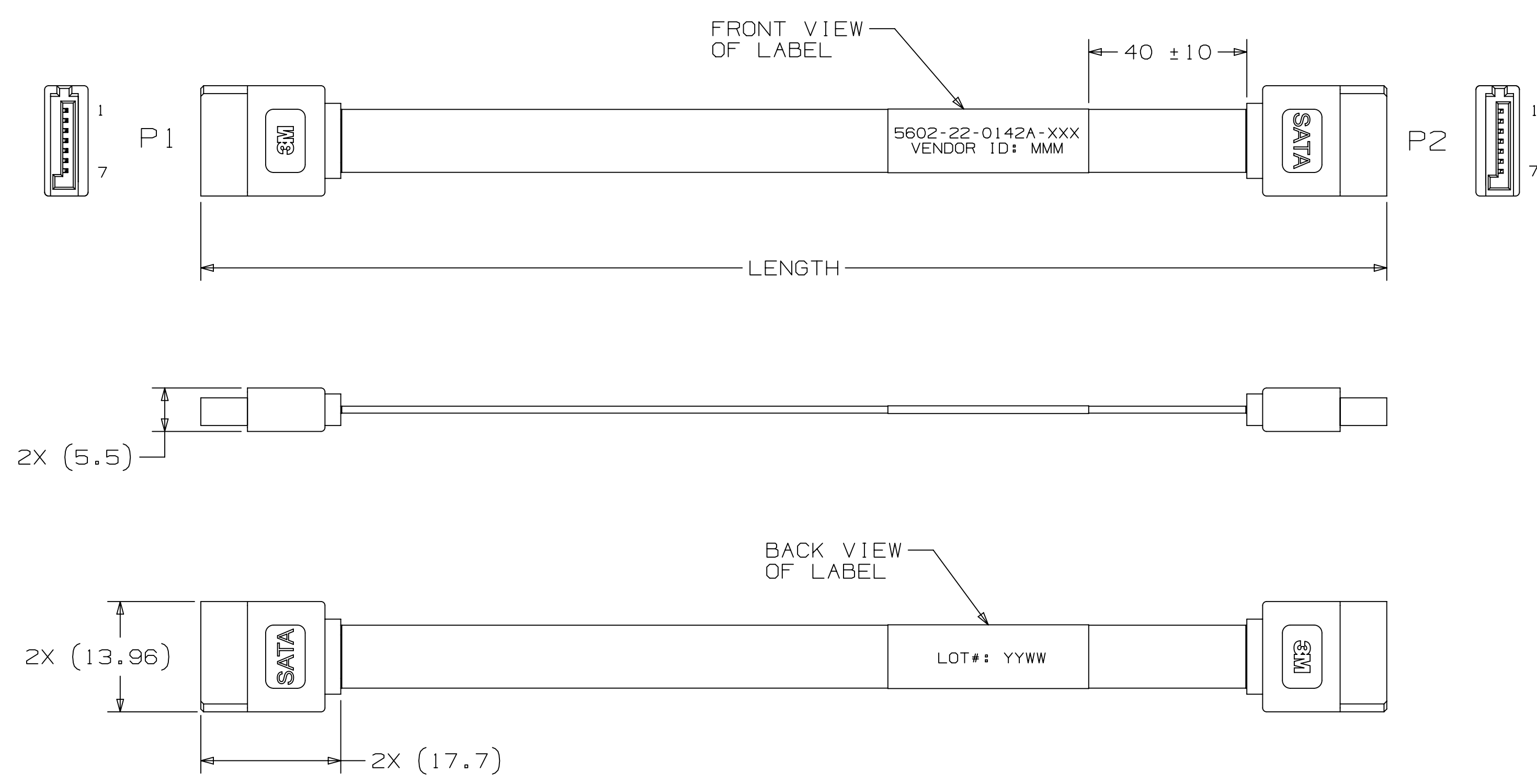
NOTES  
 1. REFER TO SHEET 1 FOR NOTES.



3M PART NUMBER		LENGTH (MM) SEE NOTE 7
NO JACKET VERSION	JACKETED VERSION	
5602-21-0142A-100	5602-21-0232A-100	100
5602-21-0142A-200	5602-21-0232A-200	200
5602-21-0142A-300	5602-21-0232A-300	300
5602-21-0142A-400	5602-21-0232A-400	400
5602-21-0142A-500	5602-21-0232A-500	500
5602-21-0142A-600	5602-21-0232A-600	600
5602-21-0142A-700	5602-21-0232A-700	700
5602-21-0142A-800	5602-21-0232A-800	800
5602-21-0142A-900	5602-21-0232A-900	900
5602-21-0142A-1000	5602-21-0232A-1000	1000

STRAIGHT TO RIGHT ANGLE  
 WITHOUT LATCHES  
 ORDERING INFORMATION  
 5602-21-0XX2A-XXX

14 = NO JACKET VERSION  
 23 = JACKETED VERSION  
 LENGTH IN MM,  
 XXX REFERS TO 1000mm.



3M PART NUMBER		LENGTH (MM) SEE NOTE 7
NO JACKET VERSION	JACKETED VERSION	
5602-22-0142A-100	5602-22-0232A-100	100
5602-22-0142A-200	5602-22-0232A-200	200
5602-22-0142A-300	5602-22-0232A-300	300
5602-22-0142A-400	5602-22-0232A-400	400
5602-22-0142A-500	5602-22-0232A-500	500
5602-22-0142A-600	5602-22-0232A-600	600
5602-22-0142A-700	5602-22-0232A-700	700
5602-22-0142A-800	5602-22-0123A-800	800
5602-22-0142A-900	5602-22-0232A-900	900
5602-22-0142A-1000	5602-22-0232A-1000	1000

STRAIGHT TO STRAIGHT  
 WITHOUT LATCHES  
 ORDERING INFORMATION  
 5602-22-0XX2A-XXX

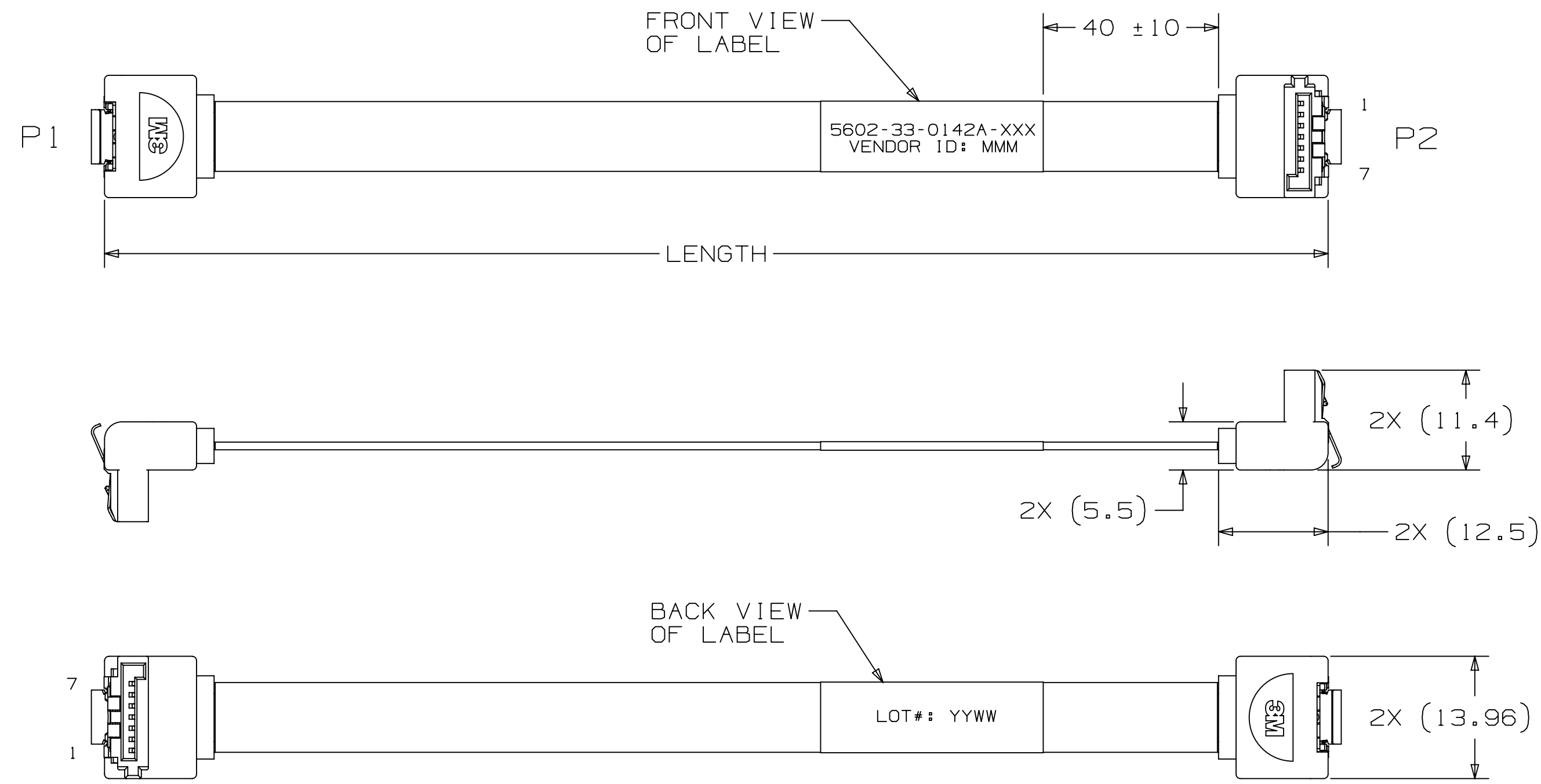
14 = NO JACKET VERSION  
 23 = JACKETED VERSION  
 LENGTH IN MM,  
 XXX REFERS TO 1000mm.

3M™ Display and Electronics Product Platform, (DEPP)  
 Transportation and Electronics Business Group (TEBG)  
<http://www.3M.com/interconnect>  
 3M IS A TRADEMARK OF 3M COMPANY.  
 FOR TECHNICAL, SALES OR ORDERING  
 INFORMATION CALL 800-225-5373

DESIGN REFERENCE	NEXT ASSEMBLY	REV	ECO	ISSUE DATE AND DESCRIPTION	DRFT	CHKD
XXXX		RAO	VITTAPALLI	JUL 02, 2016	MFG	
DIVISION	DIVISION CODE	DRG	RAO	JUL 02, 2016	APPV	SAJJIT BANDHU
DO NOT SCALE DRAWING	SCALE	TOLERANCES EXCEPT AS NOTED	© 3M COPYRIGHT 2025 This document and the information it contains are 3M property and may not be reproduced or further distributed without 3M permission, or used or disclosed other than for 3M authorized purposes. All rights reserved.			
THIRD ANGLE PROJECTION	INTERPRET PER ASME Y14.5 - 2018	MAX SURFACE ROUGHNESS	TITLE HIGH ROUTABILITY INTERNAL SATA CABLE ASSEMBLY			
MARKED ONLY	ALL SURFACES	ANGLER	CAGE NUMBER	SIZE	DRAWING NO.	REV.
			D	78-5100-4897-4	G	
			MODEL	DET	ISTS	YES NO
					SHT	3 OF 7

3M™ HIGH ROUTABILITY INTERNAL SATA CABLE ASSEMBLY, 5602 SERIES  
 7 PIN TWINAX CABLE ASSEMBLY, STRAIGHT AND RIGHT ANGLE, WITH AND WITHOUT LATCH, WITH AND WITHOUT JACKET

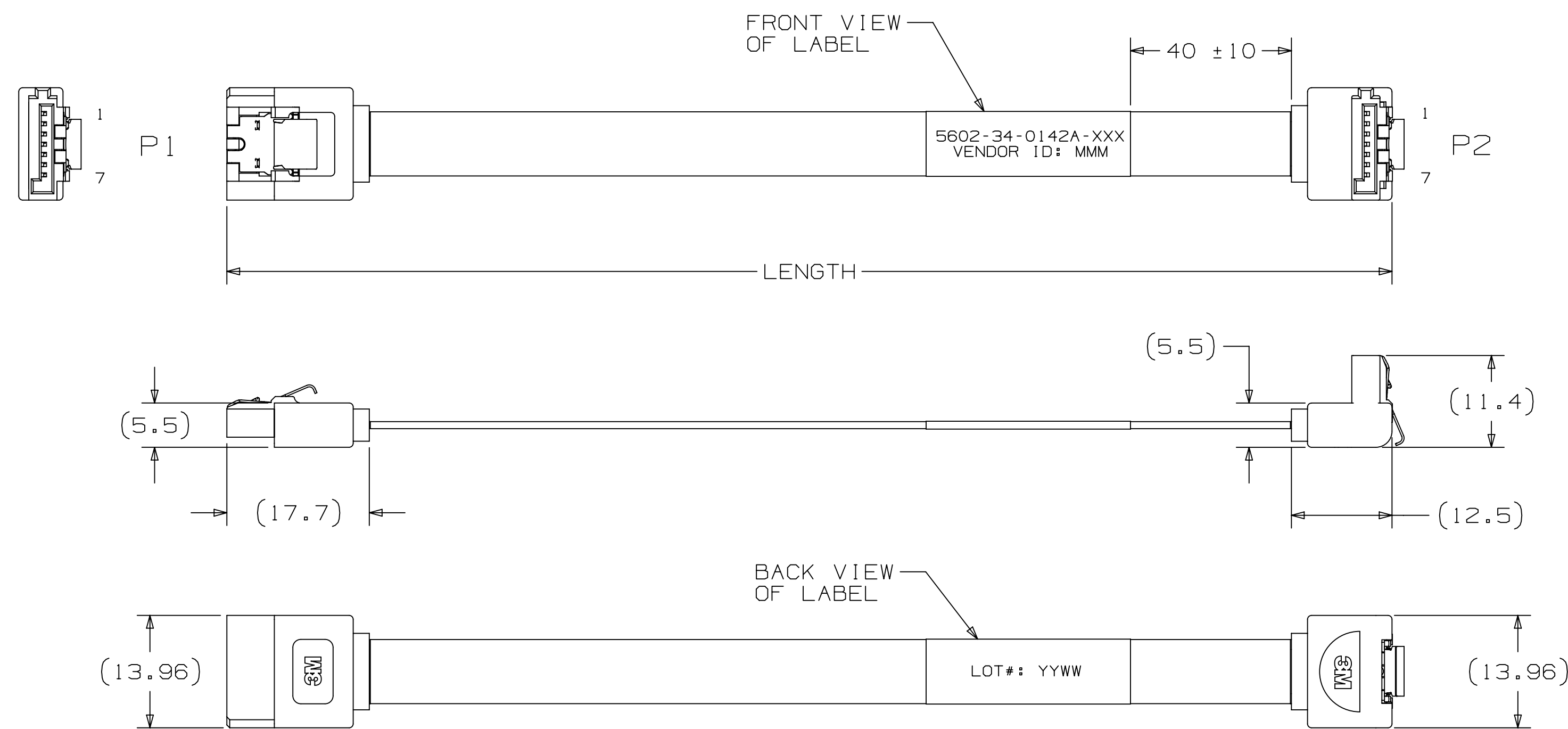
NOTES  
 1. REFER TO SHEET 1 FOR NOTES.



3M PART NUMBER		LENGTH (MM) SEE NOTE 7
NO JACKET VERSION	JACKETED VERSION	
5602-33-0142A-100	5602-33-0232A-100	100
5602-33-0142A-200	5602-33-0232A-200	200
5602-33-0142A-300	5602-33-0232A-300	300
5602-33-0142A-400	5602-33-0232A-400	400
5602-33-0142A-500	5602-33-0232A-500	500
5602-33-0142A-600	5602-33-0232A-600	600
5602-33-0142A-700	5602-33-0232A-700	700
5602-33-0142A-800	5602-33-0232A-800	800
5602-33-0142A-900	5602-33-0232A-900	900
5602-33-0142A-1000	5602-33-0232A-1000	1000

RIGHT ANGLE TO RIGHT ANGLE  
 WITH LATCHES  
 ORDERING INFORMATION  
 5602-33-0XX2A-XXX

14 = NO JACKET VERSION      LENGTH IN MM,  
 23 = JACKETED VERSION      XXX REFERS TO 1000mm.



3M PART NUMBER		LENGTH (MM) SEE NOTE 7
NO JACKET VERSION	JACKETED VERSION	
5602-34-0142A-100	5602-34-0232A-100	100
5602-34-0142A-200	5602-34-0232A-200	200
5602-34-0142A-300	5602-34-0232A-300	300
5602-34-0142A-400	5602-34-0232A-400	400
5602-34-0142A-500	5602-34-0232A-500	500
5602-34-0142A-600	5602-34-0232A-600	600
5602-34-0142A-700	5602-34-0232A-700	700
5602-34-0142A-800	5602-34-0232A-800	800
5602-34-0142A-900	5602-34-0232A-900	900
5602-34-0142A-1000	5602-34-0232A-1000	1000

STRAIGHT TO RIGHT ANGLE  
 WITH LATCHES  
 ORDERING INFORMATION  
 5602-34-0XX2A-XXX

14 = NO JACKET VERSION      LENGTH IN MM,  
 23 = JACKETED VERSION      XXX REFERS TO 1000mm.

3M™ Display and Electronics Product Platform, (DEPP)  
 Transportation and Electronics Business Group (TEBG)  
<http://www.3m.com/interconnect>

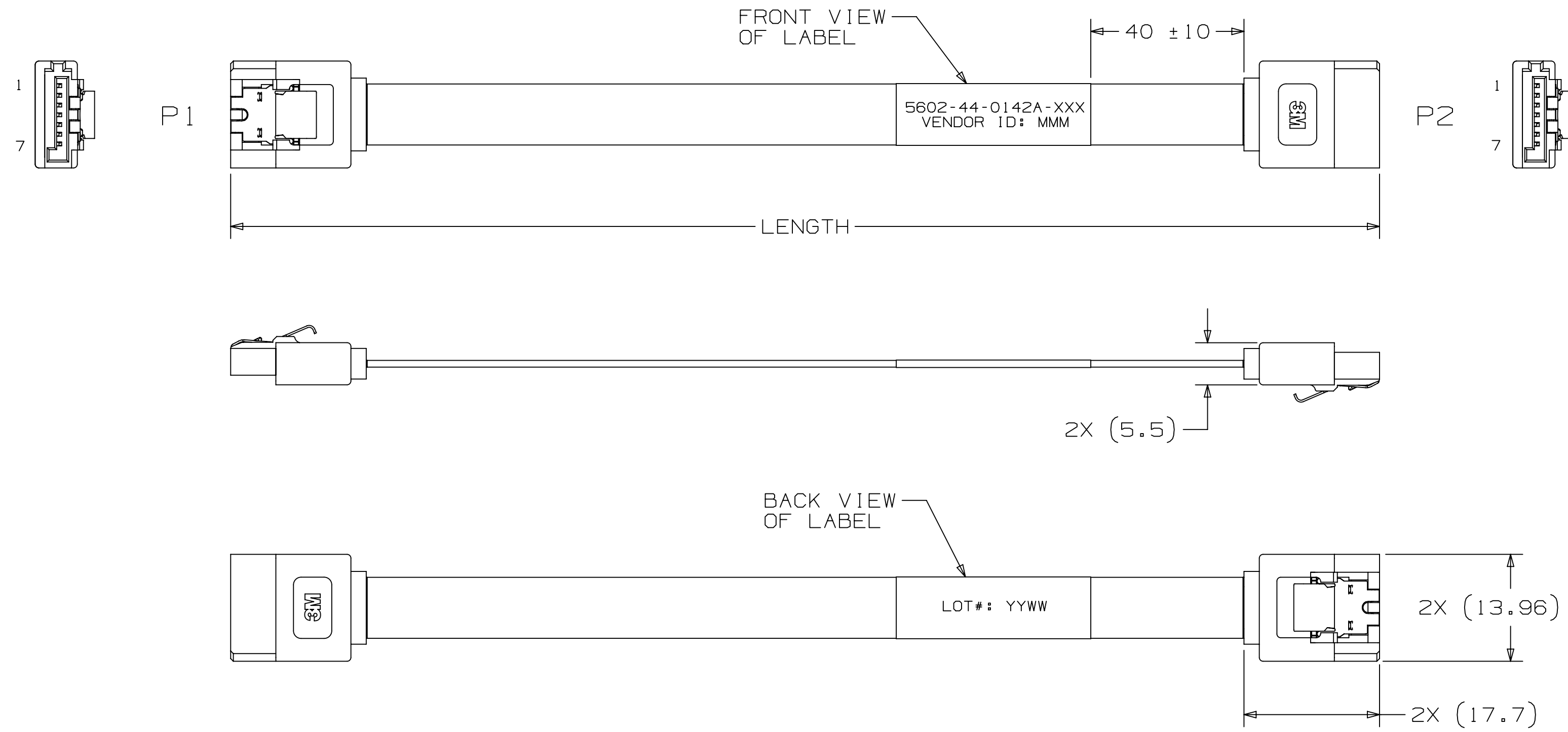
3M IS A TRADEMARK OF 3M COMPANY.  
 FOR TECHNICAL, SALES OR ORDERING  
 INFORMATION CALL 800-225-5373

DESIGN REFERENCE	NEXT ASSEMBLY	REV	ECO	ISSUE DATE AND DESCRIPTION	DRFT	CHKD
RAO VITTAPALLI		RAO VITTAPALLI		JUL 02, 2016		
DIVISION	DIVISION CODE	© 3M COPYRIGHT 2025 This document and the information it contains are 3M property and may not be reproduced or further distributed without 3M permission, or used or disclosed other than for 3M authorized purposes. All rights reserved.				
DO NOT SCALE DRAWING	SCALE	TOLERANCES EXCEPT AS NOTED INCHES .00 ± .008 ± .0000 ±				
THIRD ANGLE PROJECTION	INTERPRET PER ASME Y14.5 - 2018	MILLIMETERS 0 ± .00 ± .000 ±				
MAX SURFACE ROUGHNESS	ALL SURFACES	CAGE NUMBER DRAWING NO. MODEL				
		TITLE HIGH ROUTABILITY INTERNAL SATA CABLE ASSEMBLY				
		CAGE NUMBER DRAWING NO. MODEL				
		DET [ ] YES [X] NO SHT 4 OF 7				

78-5100-4897-4  
 DRAWING NUMBER  
 REVISION

3M™ HIGH ROUTABILITY INTERNAL SATA CABLE ASSEMBLY, 5602 SERIES  
7 PIN TWINAX CABLE ASSEMBLY, STRAIGHT AND RIGHT ANGLE, WITH AND WITHOUT LATCH, WITH AND WITHOUT JACKET

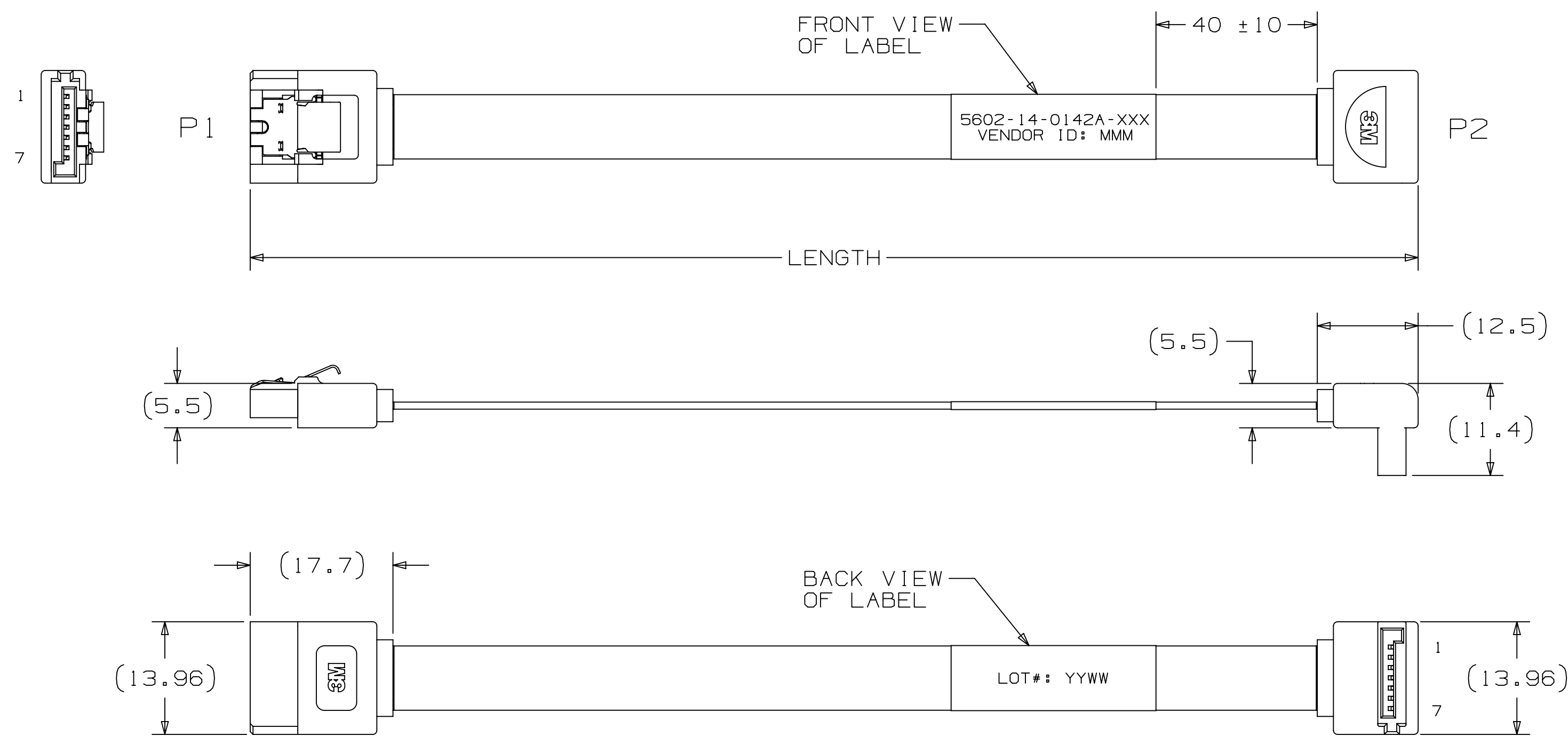
NOTES  
1. REFER TO SHEET 1 FOR NOTES.



3M PART NUMBER		
NO JACKET VERSION	JACKETED VERSION	LENGTH (MM) SEE NOTE 7
5602-44-0142A-100	5602-44-0232A-100	100
5602-44-0142A-200	5602-44-0232A-200	200
5602-44-0142A-300	5602-44-0232A-300	300
5602-44-0142A-400	5602-44-0232A-400	400
5602-44-0142A-500	5602-44-0232A-500	500
5602-44-0142A-600	5602-44-0232A-600	600
5602-44-0142A-700	5602-44-0232A-700	700
5602-44-0142A-800	5602-44-0232A-800	800
5602-44-0142A-900	5602-44-0232A-900	900
5602-44-0142A-1000	5602-44-0232A-1000	1000

STRAIGHT TO STRAIGHT  
WITH LATCHES  
ORDERING INFORMATION  
5602-44-0XX2A-XXX

14 = NO JACKET VERSION  
23 = JACKETED VERSION  
LENGTH IN MM,  
XXX REFERS TO 1000mm.



3M PART NUMBER		
NO JACKET VERSION	JACKETED VERSION	LENGTH (MM) SEE NOTE 7
5602-14-0142A-100	5602-14-0232A-100	100
5602-14-0142A-200	5602-14-0232A-200	200
5602-14-0142A-300	5602-14-0232A-300	300
5602-14-0142A-400	5602-14-0232A-400	400
5602-14-0142A-500	5602-14-0232A-500	500
5602-14-0142A-600	5602-14-0232A-600	600
5602-14-0142A-700	5602-14-0232A-700	700
5602-14-0142A-800	5602-14-0232A-800	800
5602-14-0142A-900	5602-14-0232A-900	900
5602-14-0142A-1000	5602-14-0232A-1000	1000

STRAIGHT WITH LATCH TO  
RIGHT ANGLE WITHOUT LATCH  
ORDERING INFORMATION  
5602-14-0XX2A-XXX

14 = NO JACKET VERSION  
23 = JACKETED VERSION  
LENGTH IN MM,  
XXX REFERS TO 1000mm.

REV	ECO	ISSUE DATE AND DESCRIPTION	DRFT	CHKD
G	127848	DEC 16, 2025 REVISE LOGO AND LABEL	JNC	MML
F	124281	JUN 25, 2025 ADD JACKETED CABLE	JNC	MML
E	114747	MAY 13, 2024 REVISE AND REDRAWN	JNC	MML
D	47119	APR 09, 2013 ADD SHEET 8 & 9	RV	RV
C	43801	DEC 31, 2012 CABLE P/N CHANGE	RV	RV
B	42030	JUL 07, 2012 REVISED DRAWING	RV	RV
A	37492	SEP 05, 2011 REVISED DRAWING	RV	RV

DESIGN REFERENCE	NEXT ASSEMBLY	REV	ECO	ISSUE DATE AND DESCRIPTION	DRFT	CHKD
RAO VITTAPALLI		RAO VITTAPALLI		JUL 02, 2016		
SAJJI BANDHU		SAJJI BANDHU		JUL 02, 2016		
DIVISION CODE		DEPP		3M Center St. Paul, MN 55144		
DO NOT SCALE DRAWING	SCALE	TOLERANCES EXCEPT AS NOTED		© 3M COPYRIGHT 2025 This document and the information it contains are 3M property and may not be reproduced or further distributed without 3M permission, or used or disclosed other than for 3M authorized purposes. All rights reserved.		
THIRD ANGLE PROJECTION	INTERPRET PER ASME Y14.5 - 2018	INCHES		TITLE HIGH ROUTABILITY INTERNAL SATA CABLE ASSEMBLY		
MAX SURFACE ROUGHNESS	ALL SURFACES	MILLIMETERS		CAGE NUMBER D78-5100-4897-4		
MARKED ONLY	ANGLES	MODEL DET		REV. NUMBER G		

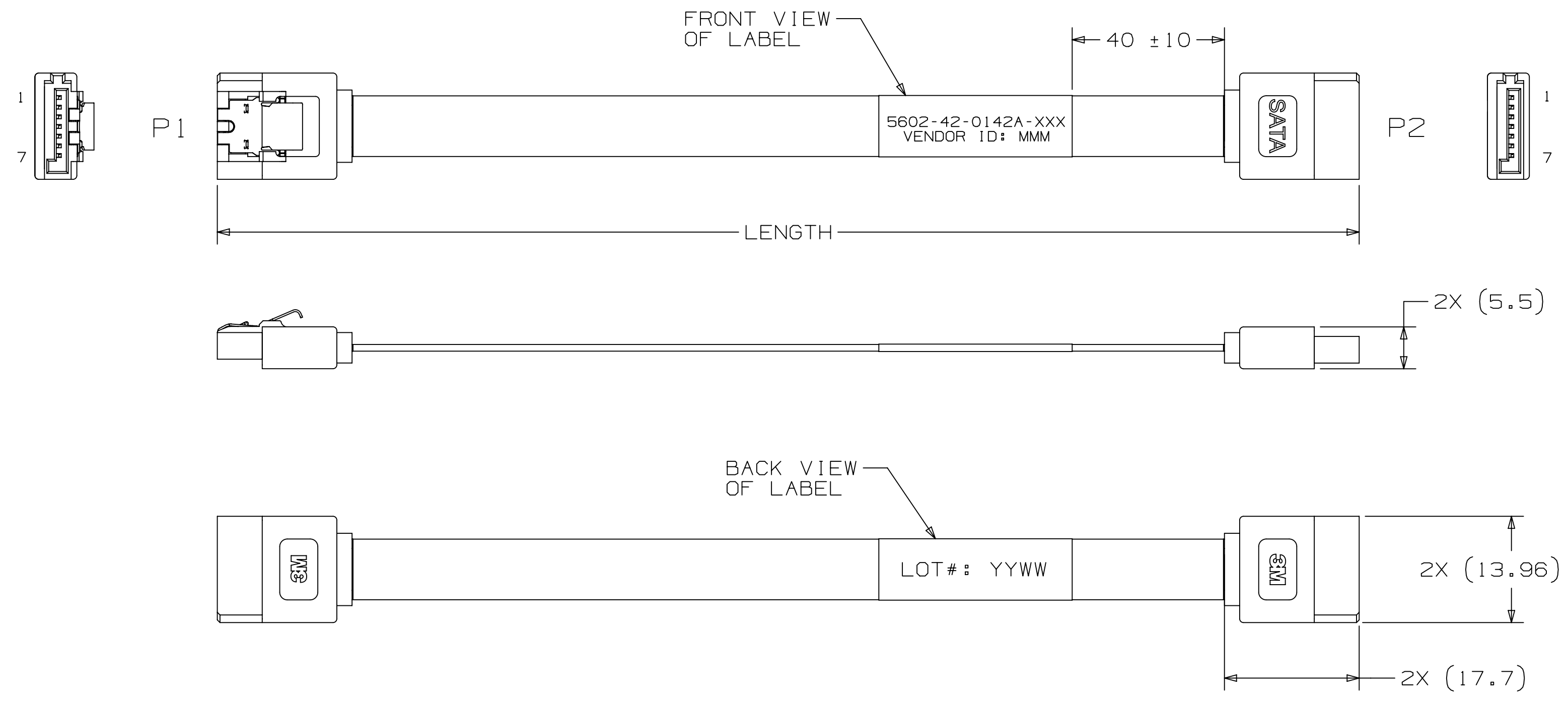
3M™ Display and Electronics Product Platform, (DEPP)  
Transportation and Electronics Business Group (TEBG)  
<http://www.3m.com/interconnect>

3M IS A TRADEMARK OF 3M COMPANY.  
FOR TECHNICAL, SALES OR ORDERING  
INFORMATION CALL 800-225-5373

DRAWING NUMBER: 78-5100-4897-4  
REVISION: G

3M™ HIGH ROUTABILITY INTERNAL SATA CABLE ASSEMBLY, 5602 SERIES  
 7 PIN TWINAX CABLE ASSEMBLY, STRAIGHT AND RIGHT ANGLE, WITH AND WITHOUT LATCH, WITH AND WITHOUT JACKET

NOTES  
 1. REFER TO SHEET 1 FOR NOTES.



3M PART NUMBER		
NO JACKET VERSION	JACKETED VERSION	LENGTH (MM) SEE NOTE 7
5602-42-0142A-100	5602-42-0232A-100	100
5602-42-0142A-200	5602-42-0232A-200	200
5602-42-0142A-300	5602-42-0232A-300	300
5602-42-0142A-400	5602-42-0232A-400	400
5602-42-0142A-500	5602-42-0232A-500	500
5602-42-0142A-600	5602-42-0232A-600	600
5602-42-0142A-700	5602-42-0232A-700	700
5602-42-0142A-800	5602-42-0232A-800	800
5602-42-0142A-900	5602-42-0232A-900	900
5602-42-0142A-1000	5602-42-0232A-1000	1000

STRAIGHT LATCH TO  
 STRAIGHT WITHOUT LATCH  
 ORDERING INFORMATION  
 5602-42-0XX2A-XXX

14 = NO JACKET VERSION  
 23 = JACKETED VERSION  
 LENGTH IN MM,  
 XXX REFERS TO 1000mm.

REV	ECO	ISSUE DATE AND DESCRIPTION	DRFT	CHKD
G	127848	DEC 16, 2025 REVISE LOGO AND LABEL	JNC	MML
F	124281	JUN 25, 2025 ADD JACKETED CABLE	JNC	MML
E	114747	MAY 13, 2024 REVISE AND REDRAWN	JNC	MML
D	47119	APR 09, 2013 ADD SHEET 8 & 9	RV	RV
C	43801	DEC 31, 2012 CABLE P/N CHANGE	RV	RV
B	42030	JUL 07, 2012 REVISED DRAWING	RV	RV
A	37492	SEP 05, 2011 REVISED DRAWING	RV	RV

DESIGN REFERENCE	NEXT ASSEMBLY	REV	ECO	ISSUE DATE AND DESCRIPTION	DRFT	CHKD
RAO VITTAPALLI		RAO VITTAPALLI		JUL 02, 2016		
RAO VITTAPALLI		RAO VITTAPALLI		JUL 02, 2016		
RAO VITTAPALLI		SAJJIT BANDHU		JUL 02, 2016		

DIVISION CODE: DEPP  
 DO NOT SCALE DRAWING  
 TOLERANCES EXCEPT AS NOTED  
 INCHES: .00 ±, .000 ±, .0000 ±  
 MILLIMETERS: 0 ±, .00 ±, .000 ±  
 INTERPRET PER ASME Y14.5 - 2018  
 MAX SURFACE ROUGHNESS: ALL SURFACES, .000 ±  
 MARKED ONLY

**3M** Center St. Paul, MN 55144  
 © 3M COPYRIGHT 2025  
 This document and the information it contains are 3M property and may not be reproduced or further distributed without 3M permission, or used or disclosed other than for 3M authorized purposes. All rights reserved.

TITLE: HIGH ROUTABILITY INTERNAL SATA CABLE ASSEMBLY  
 CAGE NUMBER: D78-5100-4897-4  
 DRAWING NO.: 78-5100-4897-4  
 REV.: G  
 MODEL: SHT 6 OF 7

3M™ Display and Electronics Product Platform, (DEPP)  
 Transportation and Electronics Business Group (TEBG)  
<http://www.3M.com/interconnect>  
 3M IS A TRADEMARK OF 3M COMPANY.  
 FOR TECHNICAL, SALES OR ORDERING  
 INFORMATION CALL 800-225-5373

78-5100-4897-4  
 DRAWING NUMBER  
 6  
 REVISION

3M™ HIGH ROUTABILITY INTERNAL SATA CABLE ASSEMBLY, 5602 SERIES  
 7 PIN TWINAX CABLE ASSEMBLY, STRAIGHT AND RIGHT ANGLE, WITH AND WITHOUT LATCH, WITH AND WITHOUT JACKET

Regulatory: For regulatory information about this product, visit 3M.com/regs or contact your 3M representative.

Technical Information: The technical information, guidance, and other statements contained in this document or otherwise provided by 3M are based upon records, tests, or experience that 3M believes to be reliable, but the accuracy, completeness, and representative nature of such information is not guaranteed. Such information is intended for people with knowledge and technical skills sufficient to assess and apply their own informed judgment to the information. No license under any 3M or third party intellectual property rights is granted or implied with this information.

Product Use: Many factors beyond 3M's control and uniquely within user's knowledge and control can affect the use and performance of a 3M product in a particular application. As a result, customer is solely responsible for evaluating the product and determining whether it is appropriate and suitable for customer's application, including conducting a workplace hazard assessment and reviewing all applicable regulations and standards (e.g., OSHA, ANSI, etc.). Failure to properly evaluate, select, and use a 3M product in accordance with all applicable instructions and with appropriate safety equipment, or to meet all applicable safety regulations, may result in injury, sickness, death, and/or harm to property.

Warranty, Limited Remedy, and Disclaimer: Unless a different warranty is specifically stated on the applicable 3M product packaging or product literature (in which case such warranty governs), 3M warrants that each 3M product meets the applicable 3M product specification at the time 3M ships the product. 3M MAKES NO OTHER WARRANTIES OR CONDITIONS, EXPRESS OR IMPLIED, INCLUDING, BUT NOT LIMITED TO, ANY IMPLIED WARRANTY OR CONDITION OF MERCHANTABILITY, FITNESS FOR A PARTICULAR PURPOSE, OR ANY IMPLIED WARRANTY OR CONDITION ARISING OUT OF A COURSE OF DEALING, CUSTOM, OR USAGE OF TRADE. If a 3M product does not conform to this warranty, then the sole and exclusive remedy is, at 3M's option, replacement or repair of the 3M product or refund of the purchase price.

Limitation of Liability: Except for the limited remedy stated above, and except to the extent prohibited by applicable law, 3M will not be liable for any loss or damage arising from or related to the 3M product, whether direct, indirect, special, incidental, or consequential (including, but not limited to, lost profits or business opportunity), regardless of the legal or equitable theory asserted, including, but not limited to, warranty, contract, negligence, or strict liability.

Disclaimer: For industrial use only. Not intended, labeled or packaged for consumer sale or use.

3M Company  
 Electronics Materials Solutions Division  
 13011 McCallen Pass, Bldg. C  
 Austin, TX 78753-5380  
 1-800-225-5373  
 www.3M.com/interconnect

3M™ Display and Electronics Product Platform, (DEPP)  
 Transportation and Electronics Business Group (TEBG)  
<http://www.3M.com/interconnect>

3M IS A TRADEMARK OF 3M COMPANY.  
 FOR TECHNICAL, SALES OR ORDERING  
 INFORMATION CALL 800-225-5373

REV	ECO	ISSUE DATE AND DESCRIPTION	DRFT	CHKD
G	127848	DEC 16, 2025 REVISE LOGO AND LABEL	JNC	MML
F	124281	JUN 25, 2025 ADD JACKETED CABLE	JNC	MML
E	114747	MAY 13, 2024 REVISE AND REDRAWN	JNC	MML
D	47119	APR 09, 2013 ADD SHEET 8 & 9	RV	RV
C	43801	DEC 31, 2012 CABLE P/N CHANGE	RV	RV
B	42030	JUL 07, 2012 REVISED DRAWING	RV	RV
A	37492	SEP 05, 2011 REVISED DRAWING	RV	RV

DESIGN REFERENCE	NEXT ASSEMBLY	DRFT	DATE	DRFT	DATE
RAO VITTAPALLI		RAO VITTAPALLI	JUL 02, 2016	MFG	
RAO VITTAPALLI		SAJJIT BANDHU	JUL 02, 2016		JUL 02, 2016

DO NOT SCALE DRAWING	SCALE	TOLERANCES EXCEPT AS NOTED	INCHES	MILLIMETERS
<input checked="" type="checkbox"/>			.0 ±	0 ±
			.00 ±	.0 ±
			.000 ±	.00 ±
			.0000 ±	.000 ±
				0 ±
				.0 ±
				.00 ±
				.000 ±
				0 ±
				0 ±

MAX SURFACE ROUGHNESS	ALL SURFACES	MARKED ONLY	ANGLES
<input checked="" type="checkbox"/>			

TITLE	CAGE NUMBER	SIZE	DRAWING NO.	REV.
HIGH ROUTABILITY INTERNAL SATA CABLE ASSEMBLY	D	78-5100-4897-4	G	

MODEL	DET	YES	NO	SHT	OF	TOTAL
	<input checked="" type="checkbox"/>	<input checked="" type="checkbox"/>	<input checked="" type="checkbox"/>	7	OF	7

78-5100-4897-4  
DRAWING NUMBER

A