

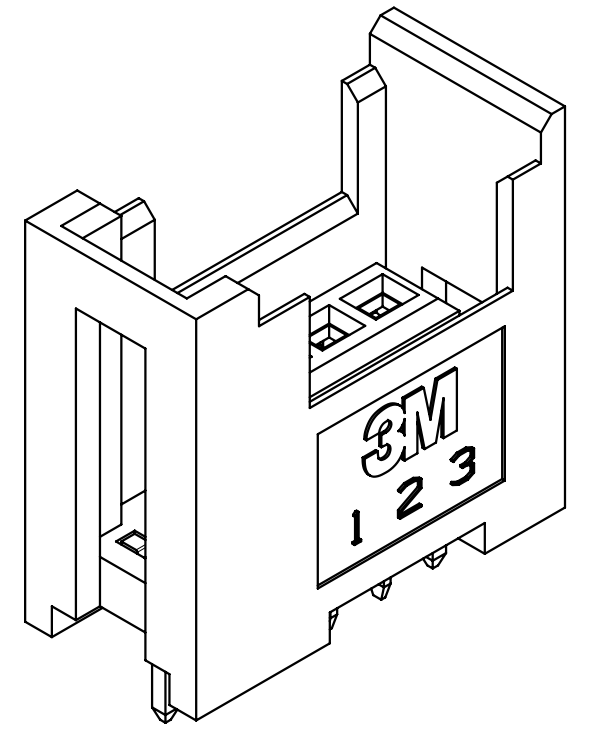
3M™ MINI-CLAMP BOARDMOUNT SOCKET
 STRAIGHT SOLDER TAILS
 372 SERIES

- * COMPACT DESIGN SAVES BOARD SPACE
- * MATING LATCH FEATURES PROVIDE A RELIABLE INTERCONNECTION IN DEMANDING APPLICATIONS
- * ENABLES EASY AND SIMPLE INTERCONNECTING OF SENSORS OR OTHER DEVICES
- * DUST CAP ACCESSORY AVAILABLE FOR USE IN HARSH ENVIRONMENTS

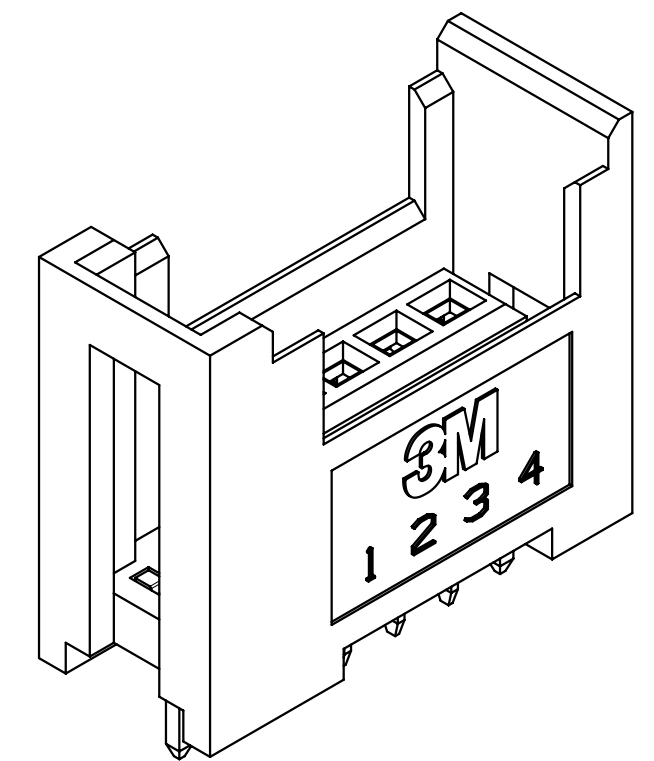
NOTES

- REGULATORY INFORMATION:
CONTACT YOUR 3M REPRESENTATIVE.
- IN THE EVENT OF CONFLICT BETWEEN THIS DATA AND THAT CONTAINED IN THE PRODUCT SPECIFICATION, THE PRODUCT SPECIFICATION TAKES PRECEDENT.
- MATING COMPATIBILITY:
WIREMOUNT PLUG 371 SERIES
TECH SHEETS TS-2092 AND TS-2233

WIREMOUNT PLUG 37A SERIES
TECH SHEET TS-2766



3 POSITION BOARDMOUNT SOCKET
 37203-62X3-003 XX



4 POSITION BOARDMOUNT SOCKET
 37204-62X3-004 XX

2 PHYSICAL :

- INSULATOR: MATERIAL: NYLON
COLOR: BLACK
- CONTACT: MATERIAL: COPPER ALLOY
PLATING:
- UNDER PLATING: NICKEL OVERALL
- WIPING AREA: GOLD
- SOLDERTAILS: GOLD FLASH OR TIN
- MARKINGS: 3M LOGO, POSITION INDICATOR AND INSULATOR MATERIAL

2 ELECTRICAL :

- VOLTAGE: AC/DC 32V MAX.
- CURRENT: 3.0A MAX.

2 ENVIRONMENTAL :

- TEMPERATURE: -20° C TO 85° C (Current 1A)
- 20° C TO 75° C (Current 2A)
- 20° C TO 60° C (Current 3A)

CONNECTOR ORDERING INFORMATION

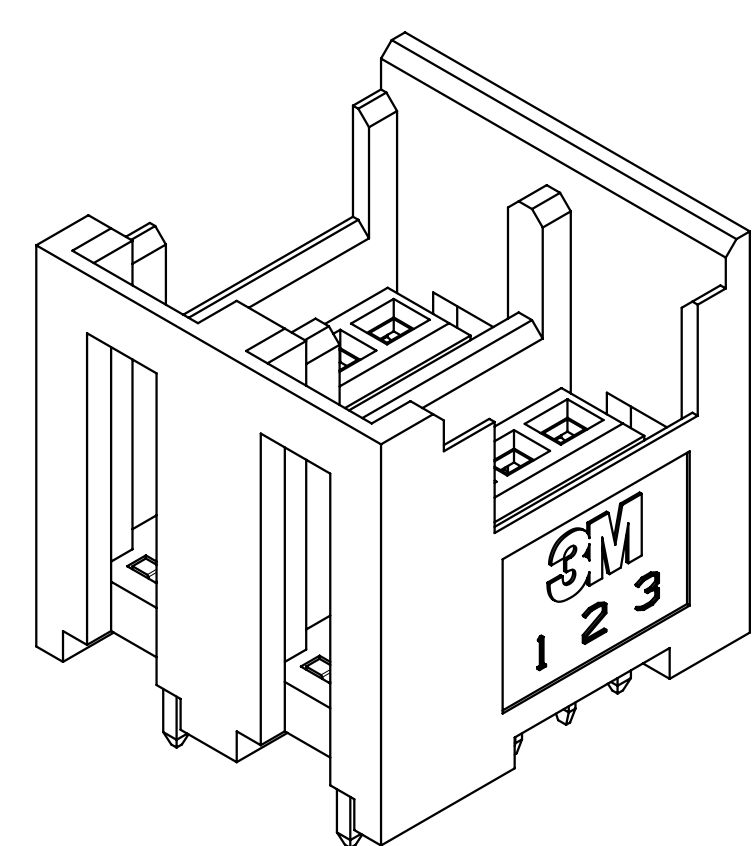
372XX-62X3-00X XX

- POSITIONS:
- 03 = 3 POS.
 - 04 = 4 POS.
 - 06 = 6 POS.
 - 08 = 8 POS.

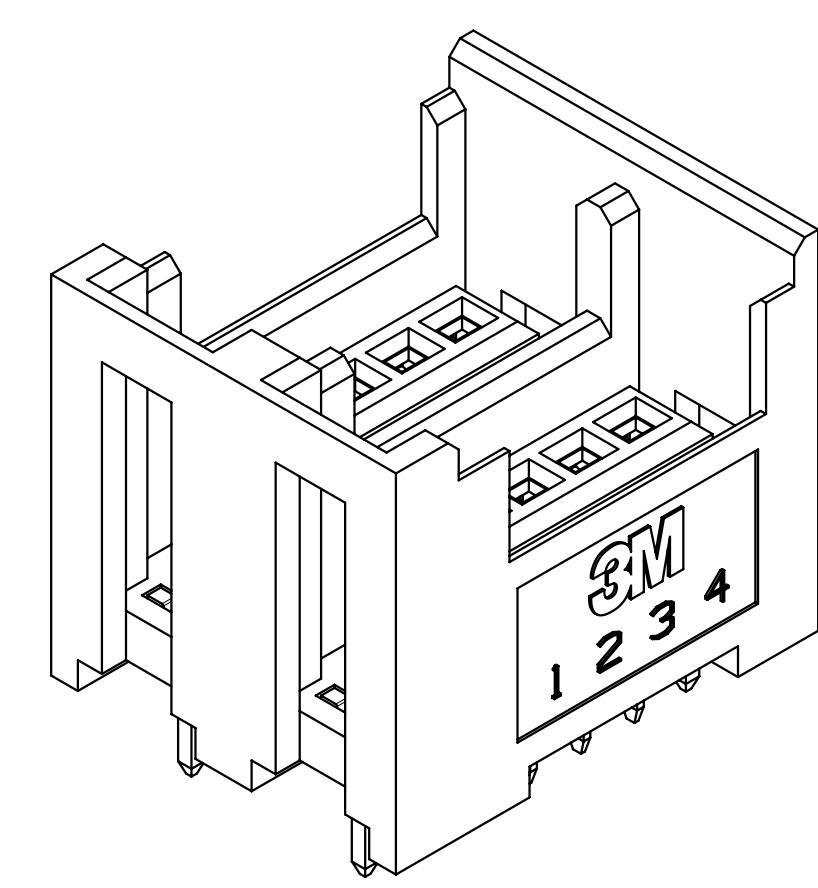
- PLATING SUFFIX
- PL: NICKEL UNDER PLATING
WIPING AREA: 0.2µm MIN. GOLD WITH LUBRICANT
SOLDERTAILS: GOLD FLASH PLATING
 - PM: NI UNDER PLATING
WIPING AREA: 0.2µm MIN. GOLD WITH LUBRICANT
SOLDERTAILS: TIN PLATING

- PINS PER ROW:
- 3 = 3 POS.
 - 4 = 4 POS.

- POST OPTIONS:
- A = 2 ASYMMETRIC POSTS
 - B = 2 SYMMETRICAL POSTS



6 POSITION BOARDMOUNT SOCKET
 37206-62X3-003 XX



8 POSITION BOARDMOUNT SOCKET
 37208-62X3-004 XX

- AVAILABLE COMBINATIONS:
- 37203-62A3-003 PL, 37203-62B3-003 PL
 - 37204-62A3-004 PL, 37204-62B3-004 PL
 - 37206-62A3-003 PL, 37206-62B3-003 PL
 - 37208-62A3-004 PL, 37208-62B3-004 PL
 - 37203-62A3-003 PM, 37203-62B3-003 PM
 - 37204-62A3-004 PM, 37204-62B3-004 PM
 - 37206-62A3-003 PM, 37206-62B3-003 PM
 - 37208-62A3-004 PM, 37208-62B3-004 PM

3M DISPLAY AND ELECTRONICS
 www.3m.com/factoryautomation
 3M IS A TRADEMARK OF 3M COMPANY.
 FOR TECHNICAL, SALES OR ORDERING
 INFORMATION CALL 800-251-8634

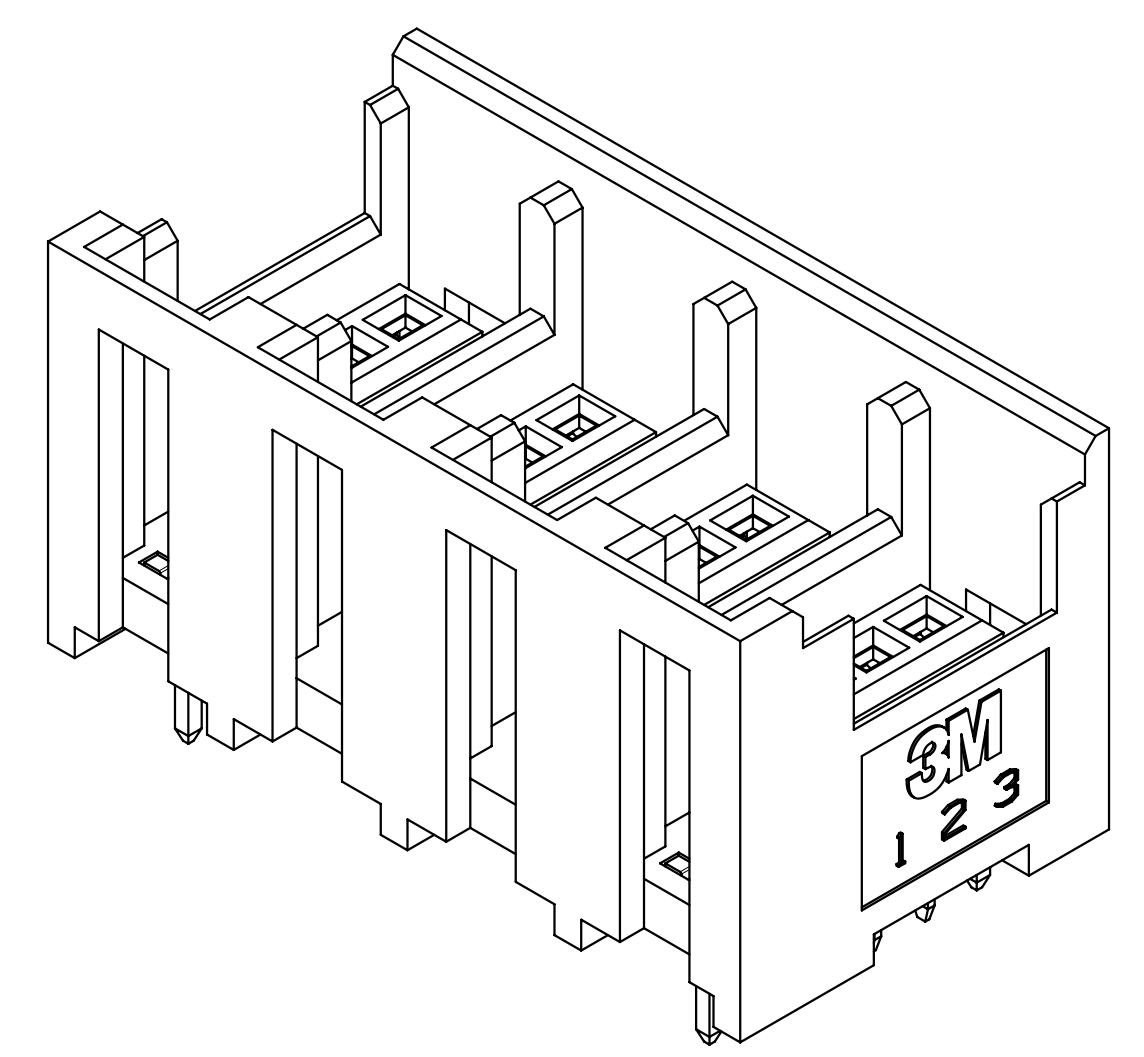
UL **us**
 UL FILE NO.: E68080

DESIGN REFERENCE	NEXT ASSEMBLY	REV	ECO	ISSUE DATE AND DESCRIPTION	DRFT	CHKD
				G 130282 APR 15,2026 REDRAWN	M.K	T.O
DO NOT SCALE DRAWING	SCALE FREE	TOLERANCES EXCEPT AS NOTED		© 3M COPYRIGHT 2026 This document and the information it contains are 3M property and may not be reproduced or further distributed without 3M permission, or used or disclosed other than for 3M authorized purposes. All rights reserved.		
THIRD ANGLE PROJECTION	INTERPRET PER ASME Y14.5-2018	MILLIMETERS		TITLE MINI-CLAMP BOARDMOUNT SOCKET STRAIGHT SOLDER TAILS 372 SERIES 372XX-62X3-00X XX		
MAX SURFACE ROUGHNESS 125 SURFACES MARKED ONLY		INCHES		CAGE NUMBER D 78-5100-2093-2		
		ANGLES		DRAWING NO. 78-5100-2093-2		
				REV. G		

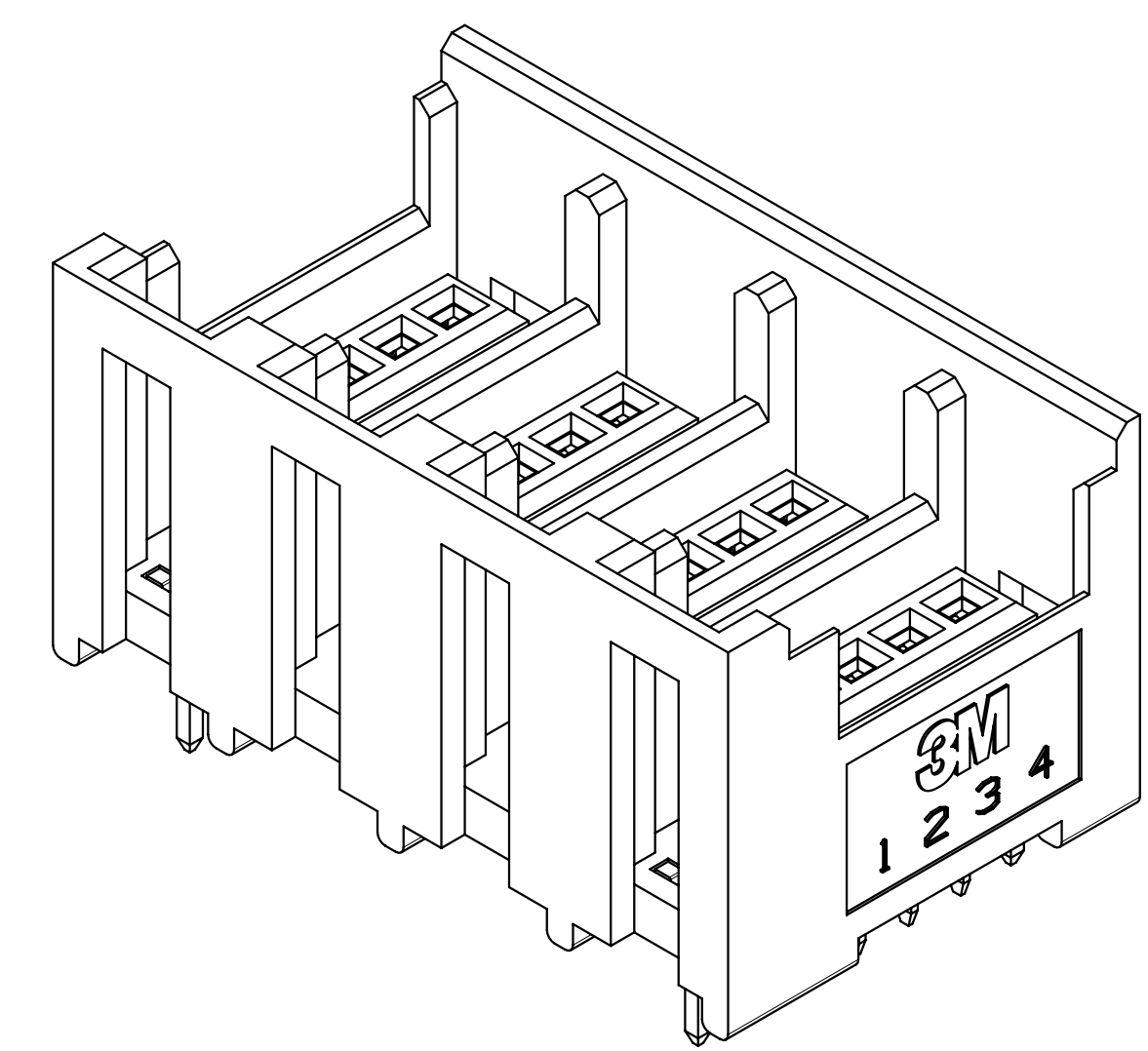
78-5100-2093-2
DRAWING NUMBER

SHT 1 OF 4

3M™ MINI-CLAMP BOARDMOUNT SOCKET
 STRAIGHT SOLDER TAILS
 372 SERIES



12 POSITION BOARDMOUNT SOCKET
 37212-62X3-003 XX



16 POSITION BOARDMOUNT SOCKET
 37216-62X3-004 XX

- * COMPACT DESIGN SAVES BOARD SPACE
- * MATING LATCH FEATURES PROVIDE A RELIABLE INTERCONNECTION IN DEMANDING APPLICATIONS
- * ENABLES EASY AND SIMPLE INTERCONNECTING OF SENSORS OR OTHER DEVICES
- * DUST CAP ACCESSORY AVAILABLE FOR USE IN HARSH ENVIRONMENTS

2 PHYSICAL :

- INSULATOR: NYLON
- MATERIAL: NYLON
- COLOR: BLACK
- CONTACT: COPPER ALLOY
- MATERIAL: COPPER ALLOY
- PLATING: NICKEL UNDER PLATING
- UNDER PLATING: NICKEL OVERALL
- WIPING AREA: GOLD
- SOLDERTAILS: GOLD FLASH OR TIN
- MARKINGS: 3M LOGO, POSITION INDICATOR AND INSULATOR MATERIAL

2 ELECTRICAL :

- VOLTAGE: AC/DC 32V MAX.
- CURRENT: 3.0A MAX.

2 ENVIRONMENTAL :

- TEMPERATURE: -20° C TO 85° C (Current 1A)
- 20° C TO 75° C (Current 2A)
- 20° C TO 60° C (Current 3A)

CONNECTOR ORDERING INFORMATION

372XX-62X3-00X XX

POSITIONS:
 12 = 12 POS.
 16 = 16 POS.

PLATING SUFFIX
 PL: NICKEL UNDER PLATING
 WIPING AREA: 0.2µm MIN. GOLD WITH LUBRICANT
 SOLDERTAILS: GOLD FLASH PLATING
 PM: Ni UNDER PLATING
 WIPING AREA: 0.2µm MIN. GOLD WITH LUBRICANT
 SOLDERTAILS: TIN PLATING

PINS PER ROW:
 3 = 3 POS.
 4 = 4 POS.

POST OPTIONS:
 A = 2 ASYMMETRIC POSTS
 B = 2 SYMMETRICAL POSTS
 M = NO POSTS

AVAILABLE COMBINATIONS: 37212-62A3-003 PL, 37212-62B3-003 PL
 37212-62M3-003 PL
 37216-62A3-004 PL, 37216-62B3-004 PL
 37216-62M3-004 PL
 37212-62A3-003 PM, 37212-62B3-003 PM
 37212-62M3-003 PM
 37216-62A3-004 PM, 37216-62B3-004 PM
 37216-62M3-004 PM

NOTES

- REGULATORY INFORMATION: CONTACT YOUR 3M REPRESENTATIVE.
- IN THE EVENT OF CONFLICT BETWEEN THIS DATA AND THAT CONTAINED IN THE PRODUCT SPECIFICATION, THE PRODUCT SPECIFICATION TAKES PRECEDENT.
- MATING COMPATIBILITY:
 WIREMOUNT PLUG 371 SERIES
 TECH SHEETS TS-2092 AND TS-2233
 WIREMOUNT PLUG 37A SERIES
 TECH SHEET TS-2766

3M DISPLAY AND ELECTRONICS
 www.3M.com/factoryautomation
 3M IS A TRADEMARK OF 3M COMPANY.
 FOR TECHNICAL, SALES OR ORDERING
 INFORMATION CALL 800-251-8634



DESIGN REFERENCE	NEXT ASSEMBLY	REV	ECO	ISSUE DATE AND DESCRIPTION	DRFT	CHKD
DO NOT SCALE DRAWING	SCALE FREE	TOLERANCES EXCEPT AS NOTED				
THIRD ANGLE PROJECTION	INTERPRET PER ASME Y14.5-2018	MILLIMETERS	TITLE MINI-CLAMP BOARDMOUNT SOCKET STRAIGHT SOLDER TAILS 372 SERIES 372XX-62X3-00X XX			
MAX SURFACE ROUGHNESS	125 SURFACES	INCHES	CAGE NUMBER D 78-5100-2093-2			
			DRAWING NO. 78-5100-2093-2			
			REV. G			

78-5100-2093-2
 DRAWING NUMBER

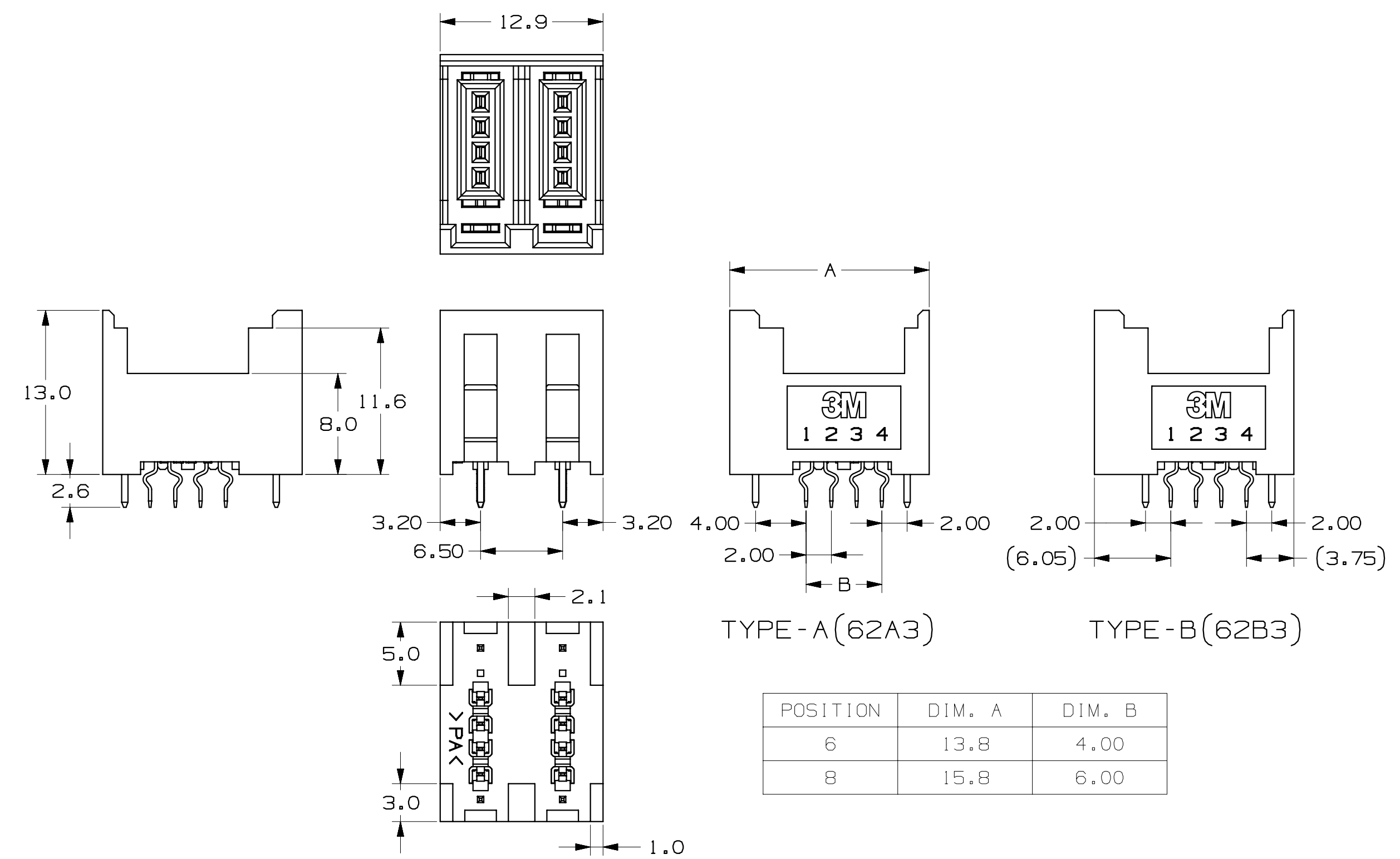
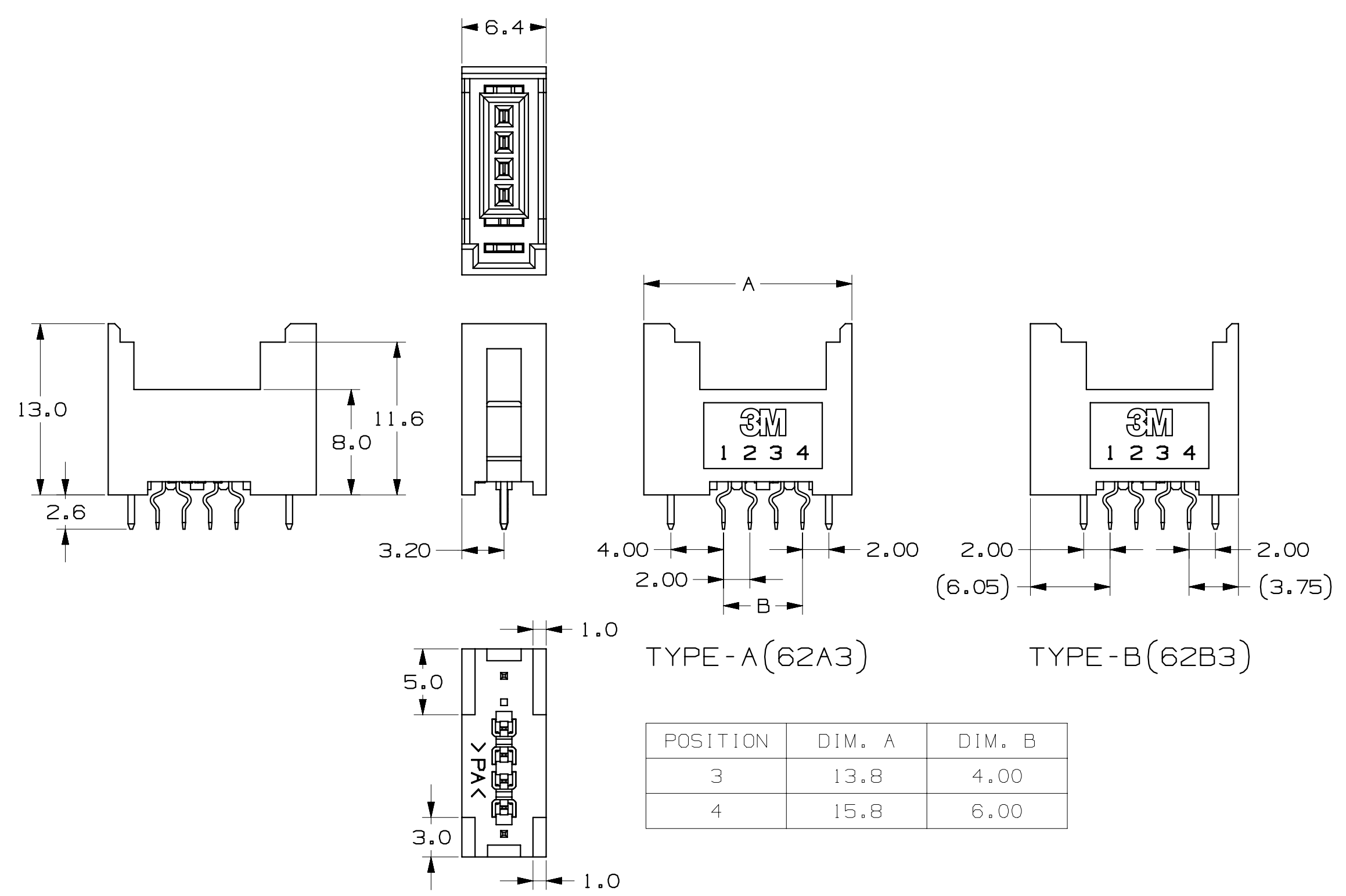
A

SHT 2 OF 4

3M™ MINI-CLAMP BOARDMOUNT SOCKET
 STRAIGHT SOLDER TAILS
 372 SERIES

SINGLE ROW STYLE
 37203-62X3-003 XX AND 37204-62X3-004 XX

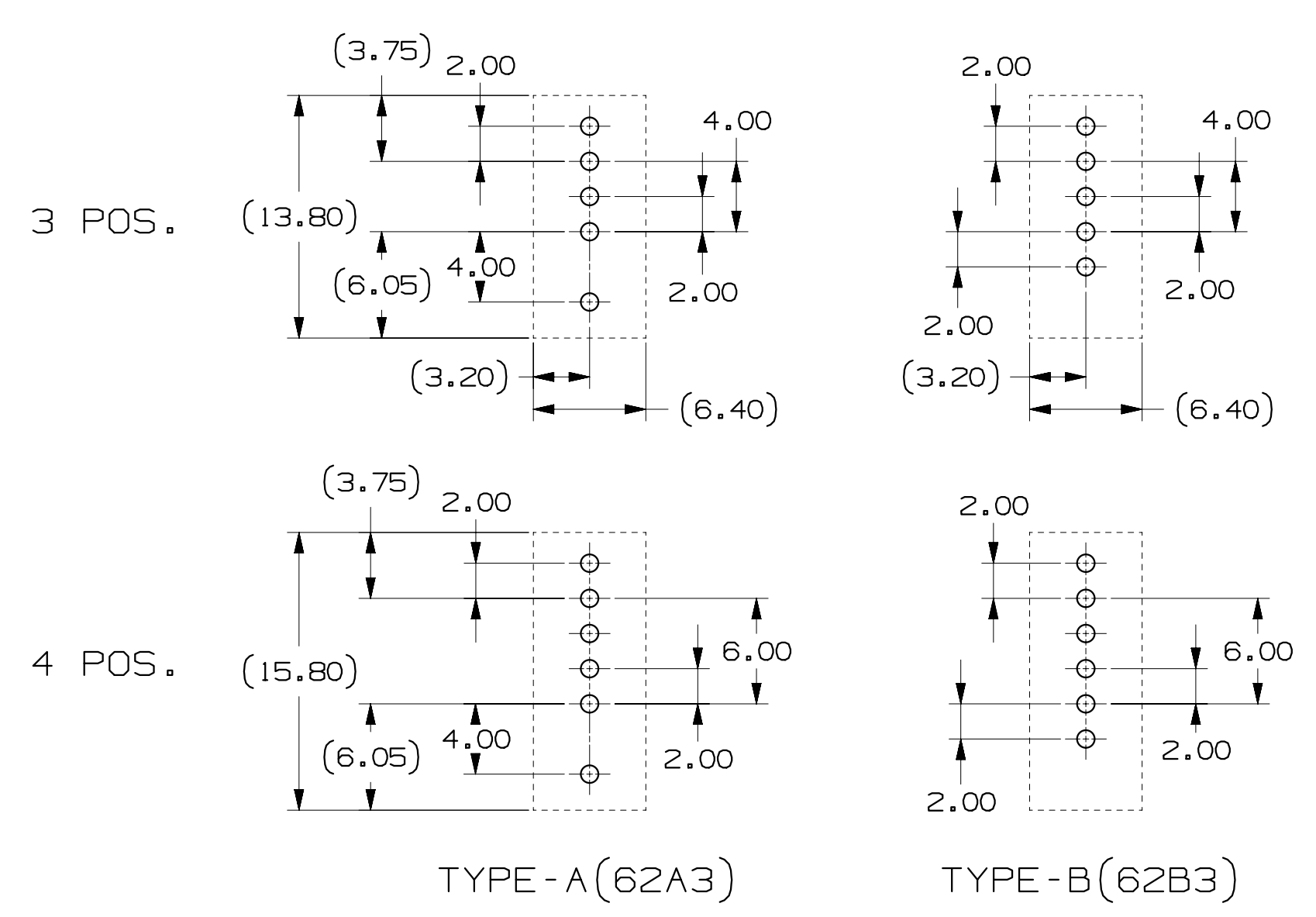
DOUBLE ROW STYLE
 37206-62X3-003 XX AND 37208-62X3-004 XX



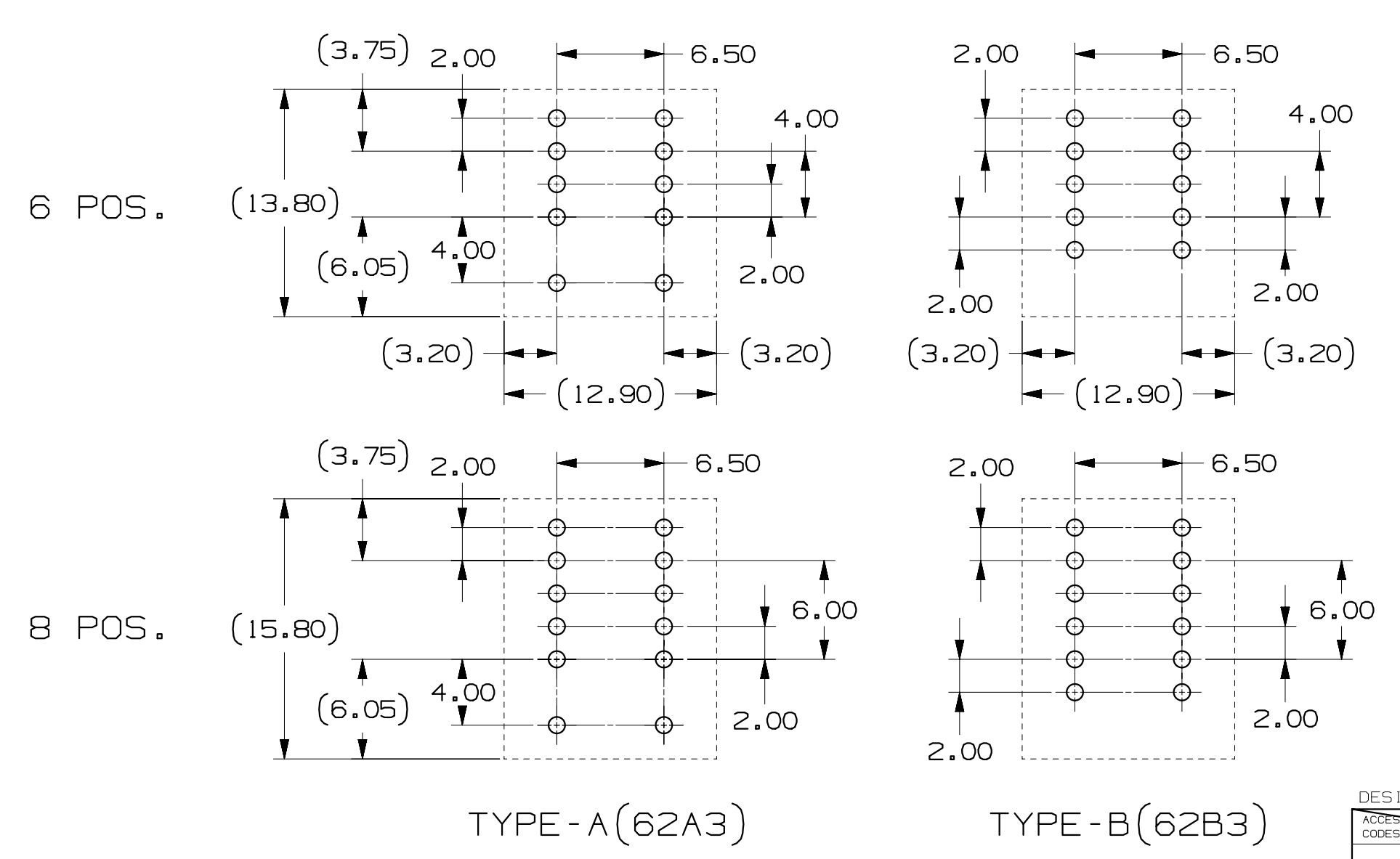
POSITION	DIM. A	DIM. B
3	13.80	4.00
4	15.80	6.00

POSITION	DIM. A	DIM. B
6	13.80	4.00
8	15.80	6.00

RECOMMENDED HOLE PATTERN



RECOMMENDED HOLE PATTERN

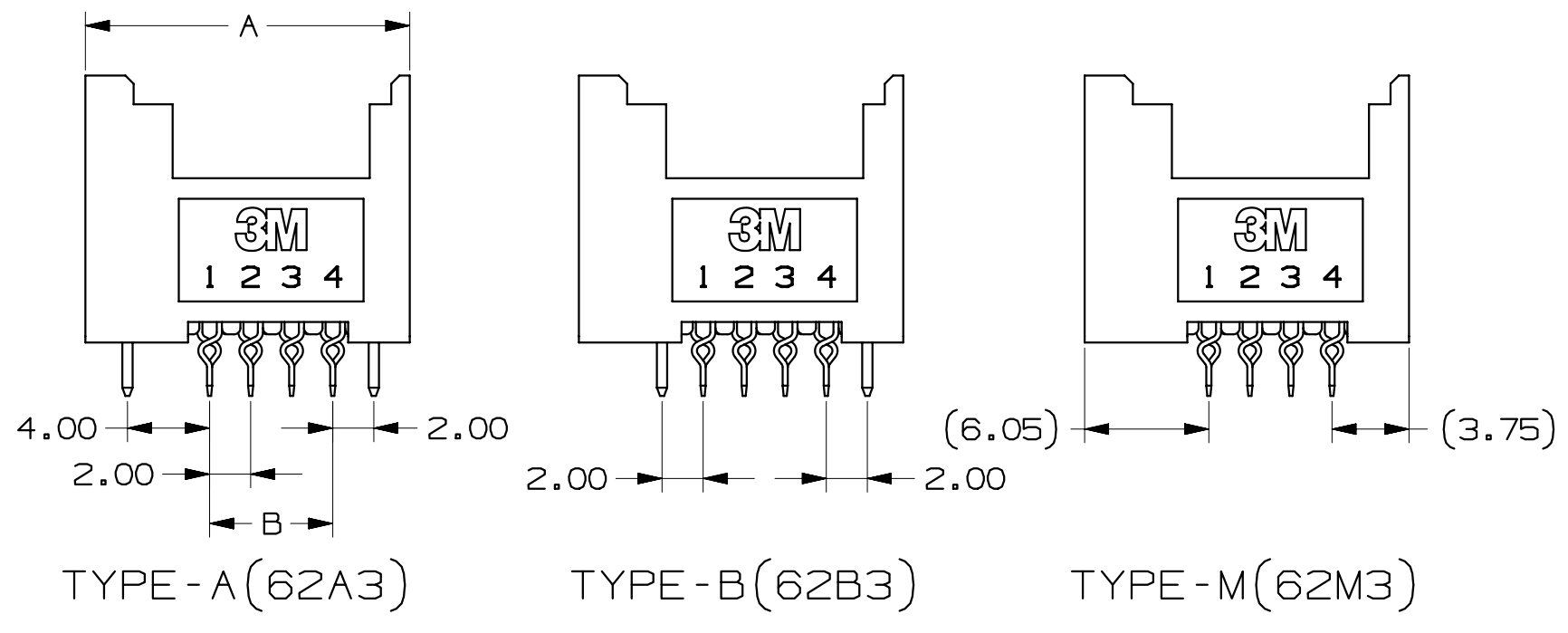
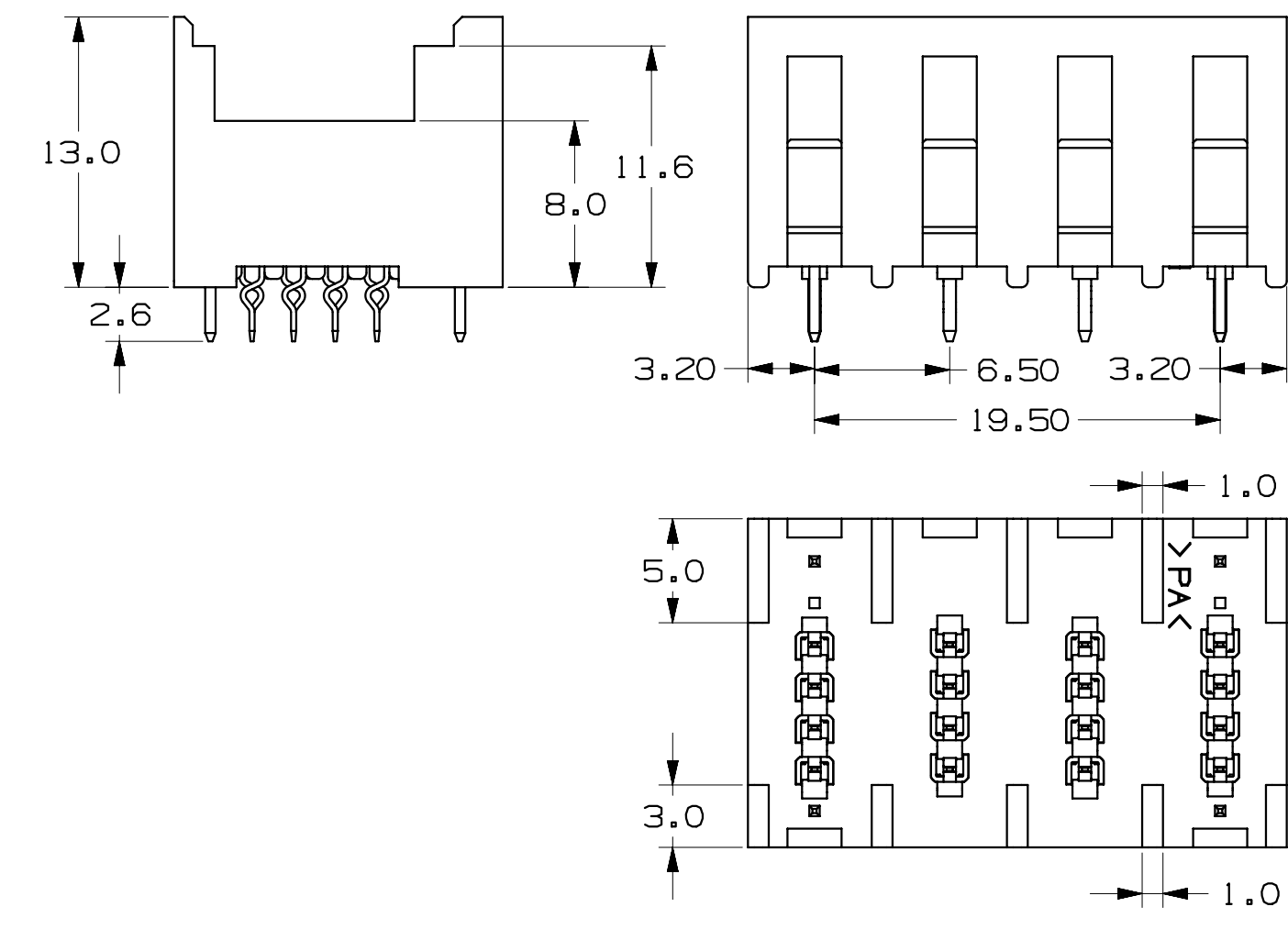
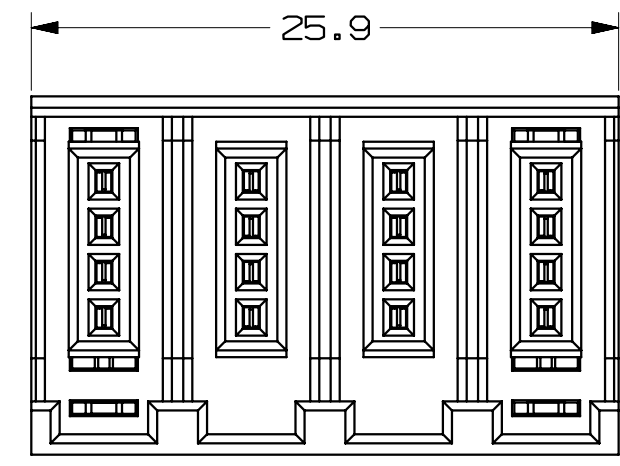


DESIGN REFERENCE	NEXT ASSEMBLY	G 130282	APR 15, 2026	REDRAWN	M.K	T.O
REV	ECO	ISSUE DATE AND DESCRIPTION	DRFT	CHKD		
DRFT	M. KOBAYASHI	DATE	APR 15, 2026	MFG		
CHKD	T. OHTA	DATE	APR 15, 2026	APPV	Y. KAWATE	DATE
DATE	APR 15, 2026	DATE	APR 15, 2026	DATE	APR 15, 2026	
DIVISION		DIVISION CODE				
DO NOT SCALE DRAWING	SCALE FREE	TOLERANCES EXCEPT AS NOTED				
THIRD ANGLE PROJECTION		INCHES				
INTERPRET PER ASME Y14.5-2018		.00				
MAX SURFACE ROUGHNESS		.000 ±				
125 SURFACES		.0000 ±				
X MARKED ONLY		MILLIMETERS				
		.0				
		.00 ±.03				
		.00 ±0.13				
		ANGLES ±.4°				
CAGE NUMBER		SIZE	DRAWING NO.	REV.		
D		78-5100-2093-2	G			
MODEL		SHT 3 OF 4				

78-5100-2093-2
DRAWING NUMBER

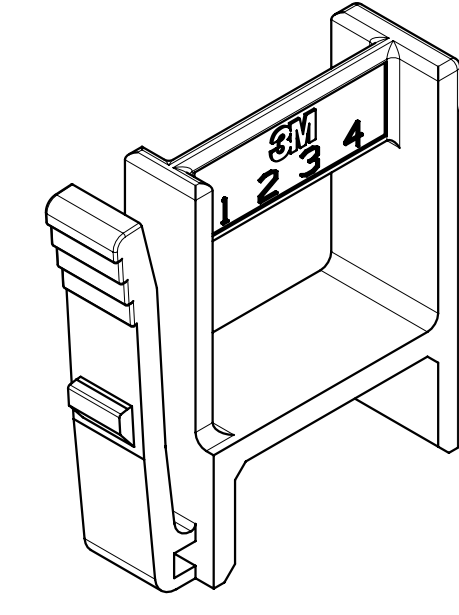
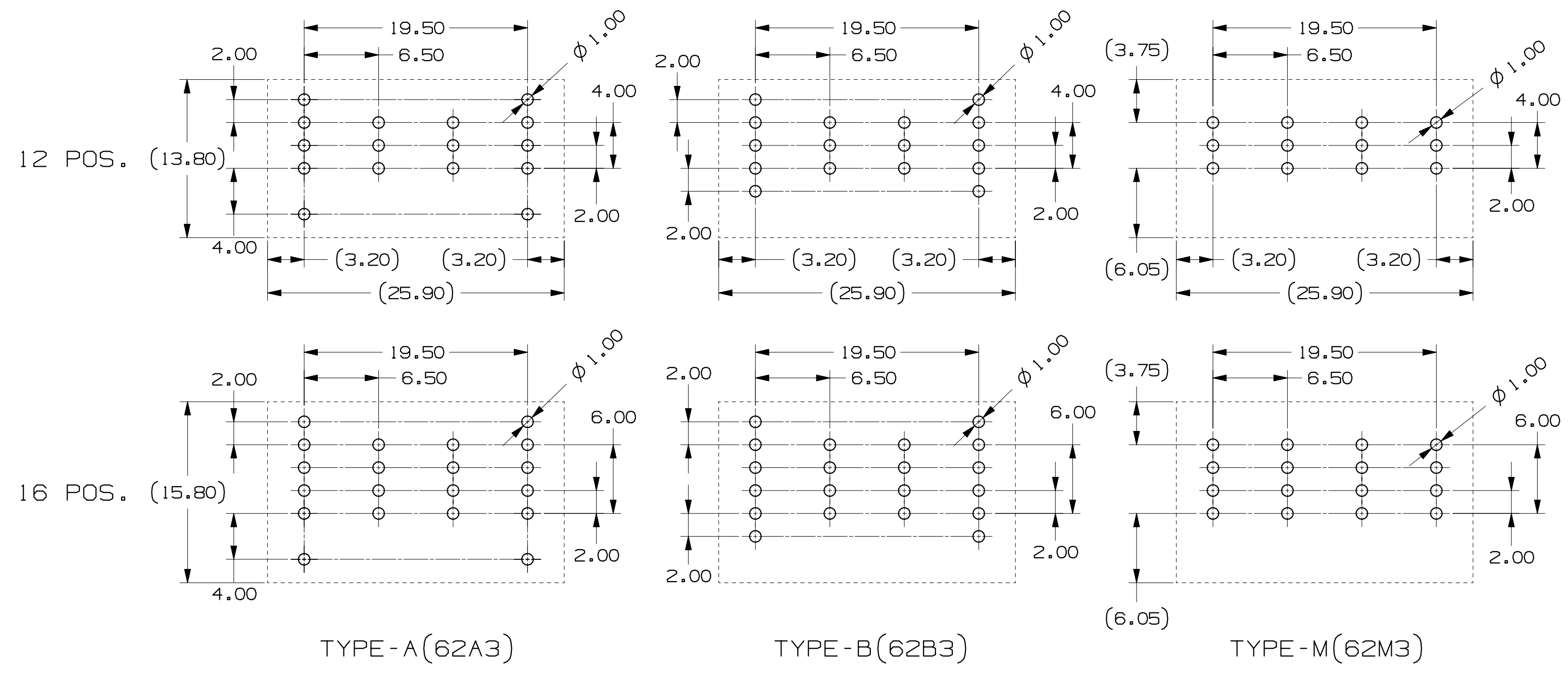
3M™ MINI-CLAMP BOARDMOUNT SOCKET
 STRAIGHT SOLDER TAILS
 372 SERIES

FOUR ROW STYLE
 37212-62X3-003 XX AND 37216-62X3-004 XX



POSITION	DIM. A	DIM. B
12	13.8	4.00
16	15.8	6.00

RECOMMENDED HOLE PATTERN



DUST COVER ACCESSORY

ORDERING INFORMATION:
 3 POS. - 37803-1000-00
 4 POS. - 37804-1000-00

Regulatory: For regulatory information about this product, contact your 3M representative.

Technical Information: The technical information, guidance, and other statements contained in this document or otherwise provided by 3M are based upon records, tests, or experience that 3M believes to be reliable, but the accuracy, completeness, and representative nature of such information is not guaranteed. Such information is intended for people with knowledge and technical skills sufficient to assess and apply their own informed judgment to the information. No license under any 3M or third party intellectual property rights is granted or implied with this information.

Product Use: Many factors beyond 3M's control and uniquely within user's knowledge and control can affect the use and performance of a 3M product in a particular application. As a result, customer is solely responsible for evaluating the product and determining whether it is appropriate and suitable for customer's application, including conducting a workplace hazard assessment and reviewing all applicable regulations and standards (e.g., OSHA, ANSI, etc.). Failure to properly evaluate, select, and use a 3M product in accordance with all applicable instructions and with appropriate safety equipment, or to meet all applicable safety regulations, may result in injury, sickness, death, and/or harm to property.

Warranty, Limited Remedy, and Disclaimer: Unless a different warranty is specifically stated on the applicable 3M product packaging or product literature (in which case such warranty governs), 3M warrants that each 3M product meets the applicable 3M product specification at the time 3M ships the product. 3M MAKES NO OTHER WARRANTIES OR CONDITIONS, EXPRESS OR IMPLIED, INCLUDING, BUT NOT LIMITED TO, ANY IMPLIED WARRANTY OR CONDITION OF MERCHANTABILITY, FITNESS FOR A PARTICULAR PURPOSE, OR ANY IMPLIED WARRANTY OR CONDITION ARISING OUT OF A COURSE OF DEALING, CUSTOM, OR USAGE OF TRADE. If a 3M product does not conform to this warranty, then the sole and exclusive remedy is, at 3M's option, replacement or repair of the 3M product or refund of the purchase price.

Limitation of Liability: Except for the limited remedy stated above, and except to the extent prohibited by applicable law, 3M will not be liable for any loss or damage arising from or related to the 3M product, whether direct, indirect, special, incidental, or consequential (including, but not limited to, lost profits or business opportunity), regardless of the legal or equitable theory asserted, including, but not limited to, warranty, contract, negligence, or strict liability.

Disclaimer: For industrial use only. Not intended, labeled or packaged for consumer sale or use.

3M Display and Electronics
 3M Center, 223-3S-32
 St Paul, MN 55144, United States
 Phone: 1-800-251-8634
 www.3M.com/factoryautomation

DESIGN REFERENCE	NEXT ASSEMBLY	G 130282	APR 15, 2026	REDRAWN	M.K	T.O
REV	ECO	ISSUE DATE AND DESCRIPTION	DRFT	CHKD		
DATE	DATE	DATE	DATE	DATE		
DRFT	M. KOBAYASHI	APR 15, 2026	MFG			
CHKD	T. OHTA	APR 15, 2026	APPV	APR 15, 2026		
DIVISION	DIVISION CODE					
DO NOT SCALE DRAWING	SCALE FREE	TOLERANCES EXCEPT AS NOTED INCHES .00 .000 ± .0000 ± MILLIMETERS .0 ±.03 .00 ±0.13				
THIRD ANGLE PROJECTION	INTERPRET PER ASME Y14.5-2018	TITLE MINI-CLAMP BOARDMOUNT SOCKET STRAIGHT SOLDER TAILS 372 SERIES 372XX-62X3-00X XX				
MAX SURFACE ROUGHNESS	125 SURFACES MARKED ONLY	CAGE NUMBER	SIZE	DRAWING NO.	REV.	
		D	78-5100-2093-2	G		
		MODEL	SHT 4 OF 4			