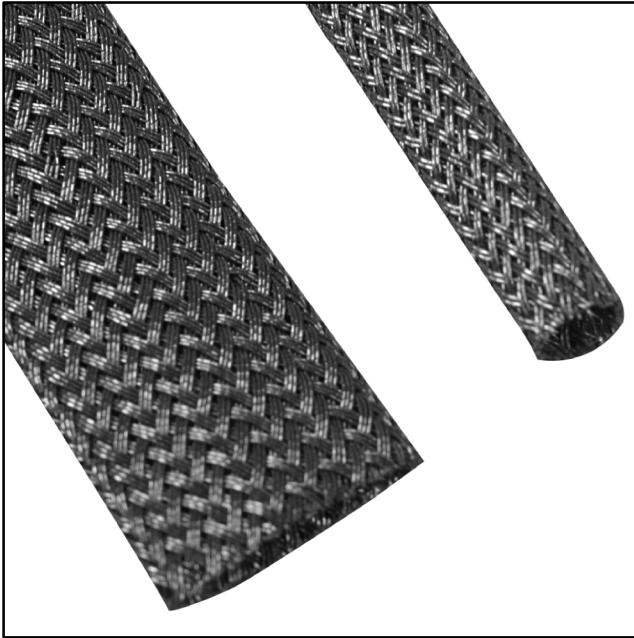


3M™ Cable Accessory

High Flex Life Braided Shield

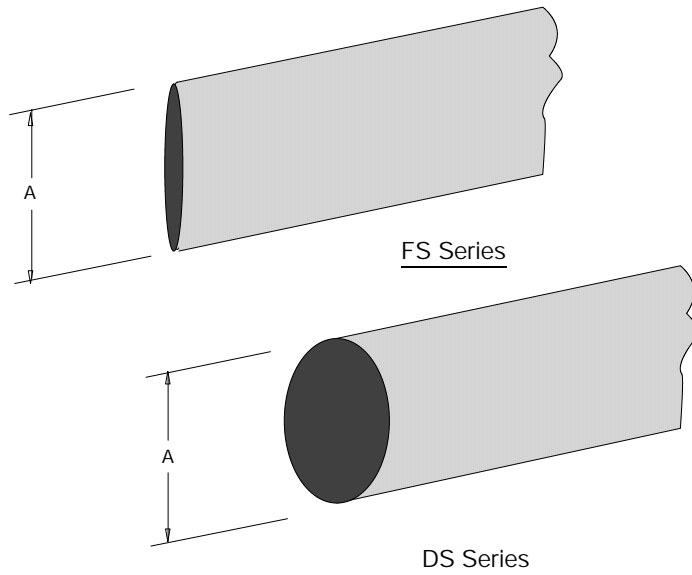
DS/FS Series



- Conductive high flex shielding sleeve for inter and intra cabinet cable applications
- Greater than 50 million flex cycles at 1.5 inch radius
- 25 db average shielding effectiveness

Date Modified: May 30, 2003

TS-0713-04
Sheet 1 of 1



UL File No.: E120470

Construction: Woven conductors consisting of tinned copper foil spirally wound over glass fibers.

Ordering Information

Product Number	Dimension A [Ref]	Roll Length
DS- 5	5 mm [.2"] dia.	100 m [328 ft]
DS- 7	7 mm [.3"] dia.	100 m [328 ft]
DS-10	10 mm [.4"] dia.	100 m [328 ft]
DS-14	14 mm [.6"] dia.	100 m [328 ft]
FS-30	30 mm [1.2"] wide	50 m [164 ft]
FS-37	37 mm [1.5"] wide	50 m [164 ft]

Important Notice

All statements, technical information, and recommendations related to 3M's products are based on information believed to be reliable, but the accuracy or completeness is not guaranteed. Before using this product, you must evaluate it and determine if it is suitable for your intended application. You assume all risks and liability associated with such use. Any statements related to the product which are not contained in 3M's current publications, or any contrary statements contained on your purchase order shall have no force or effect unless expressly agreed upon, in writing, by an authorized officer of 3M.



Electronic and Interconnect Solutions Division

6801 River Place Blvd.
Austin, TX 78726-9000
www.3M.com/eisd

Warranty; Limited Remedy; Limited Liability.

This product will be free from defects in material and manufacture for a period of 1 year from the date of purchase. **3M MAKES NO OTHER WARRANTIES INCLUDING, BUT NOT LIMITED TO, ANY IMPLIED WARRANTY OF MERCHANTABILITY OR FITNESS FOR A PARTICULAR PURPOSE.** If this product is defective within the warranty period stated above, your exclusive remedy shall be, at 3M's option, to replace or repair the 3M product or refund the purchase price of the 3M product. **Except where prohibited by law, 3M will not be liable for any loss or damage arising from this 3M product, whether direct, indirect, special, incidental or consequential regardless of the legal theory asserted.**