



EN: 3M™ Full Facepiece Respirator 6000DIN Series

User Instructions for 3M™ Small 6700DIN, Medium 6800DIN, Large 6900DIN Full Facepieces

IMPORTANT: Keep these *User Instructions* for reference.

FR : Respirateur à masque complet de série 6000DIN 3M^{MC}

Directives d'utilisation pour les Masques complets 6700DIN petit, 6800DIN moyen, 6900DIN grand 3M^{MC}

IMPORTANT : Conserver ces *directives d'utilisation* à titre de référence.

ES: Respirador de pieza facial de cara completa 3M™ Serie 6000DIN

Instrucciones de uso para las máscaras faciales completas 6700DIN (pequeñas), 6800DIN (medianas), y 6900DIN (grandes)

IMPORTANTE: Conserve estas *Instrucciones* para referencia futura.

98-0060-0011-5_8

EN: 3M™ Full Facepiece Respirator 6000DIN Series

GENERAL SAFETY INFORMATION

Intended Use

The 3M™ Full Facepiece Respirators 6000 Series are NIOSH approved and designed to help provide respiratory protection against certain airborne contaminants when used in accordance with all use instructions and limitations and applicable safety and health regulations.

The full facepiece 6000 Series meets the requirements of the ANSI Z87.1-2010 standard for face and eye protection. These products help provide limited eye and face protection against flying particles.

This product contains no components made from natural rubber latex.



This respirator helps protect against certain airborne contaminants. **Misuse may result in sickness or death.** For correct use, consult supervisor and *User Instructions* or call 3M in U.S.A. 1-800-243-4630. In Canada, call Technical Service at 1-800-267-4414.

These *User Instructions* provide information about facepiece use only. Important information is provided in the *User Instructions* with each of the air filtration/supplied air systems that are NIOSH certified to be used with the Full Facepiece Respirator 6000 Series. Failure to follow *User Instructions* for the air filtration/supplied air systems being used **may result in sickness or death.**

Do not clean respirator with solvents. Cleaning with solvents may degrade some respirator components and reduce respirator effectiveness. Inspect all respirator components before each use to ensure proper operating conditions. **Failure to do so may result in sickness or death.**

When in supplied air mode, your employer must provide breathing air that meets at least the requirements of the specification for Grade D breathing air, as described in the Compressed Gas Association Commodity Specification G-7.1-1997 in the United States. In Canada, refer to CSA standard Z180.1, table for the quality of compressed breathing air. **Failure to do so may result in sickness or death.**

USE INSTRUCTIONS AND LIMITATIONS

Important

Before use, the wearer must read and understand these *User Instructions*. Keep these *User Instructions* for reference.

Use For

Respiratory protection from certain airborne contaminants according to NIOSH approvals, OSHA limitations, in Canada CSA standard Z94.4 requirements, other applicable regulations and 3M instructions.

Do Not Use For

Concentrations of contaminants which are immediately dangerous to life or health, are unknown or when concentrations exceed 10 times the permissible exposure limit (PEL) in air-purifying mode when qualitatively fit tested, 50 times the PEL in air-purifying mode when quantitatively fit tested, 1000 times the PEL in powered airpurifying or supplied air mode, or according to specific OSHA standards or applicable government regulations, whichever is lower.

Use Instructions

1. Failure to follow all instructions and limitations on the use of this respirator and/or failure to wear this respirator during all times of exposure can reduce respirator effectiveness and **may result in sickness or death.**

2. Before occupational use of this respirator, a written respiratory protection program must be implemented meeting all the requirements of OSHA 29 CFR 1910.134 such as medical evaluation, training and fit testing and applicable OSHA substance specific standards. In Canada, follow the recommendations of CSA 94.4 and/or requirements of the applicable jurisdiction, as appropriate. When used in supplied air mode, your employer must supply breathing air that meets at least the requirements of Grade D breathing air in Compressed Gas Association Commodity Specifications G-7.1-1997. In Canada, breathing air systems must be supplied with air which meets at least the requirements of CSA Standards Z180.1.
3. The airborne contaminants which can be dangerous to your health include those that are so small you may not be able to see or smell them.
4. If respirator becomes damaged, or if you smell or taste contaminants or if dizziness, irritation, or other distress occurs; leave contaminated area immediately, and repair or replace respirator, or contact supervisor.
5. Store respirator away from contaminated areas when not in use.
6. Dispose of used product in accordance with applicable regulations.

Use Limitations

1. This respirator does not supply oxygen when used in air-purifying mode. Do not use in atmospheres containing less than 19.5% oxygen.
2. Do not use when concentrations of contaminants are immediately dangerous to life or health, are unknown or when concentrations exceed 10 times the permissible exposure limit (PEL) in air-purifying mode when qualitatively fit tested, 50 times the PEL in air-purifying mode when quantitatively fit tested, 1000 times the PEL in powered air-purifying or supplied air mode, or according to specific OSHA standards or applicable government regulations, whichever is lower.
3. Do not alter, abuse or misuse this respirator.
4. Do not use with beards or other facial hair or other conditions that prevent a good seal between the face and the face seal of the respirator.

Time Use Limitations

1. Cartridges and filters must be used before expiration date on packaging.
2. Particle filters must be replaced if they become damaged, soiled or if an increase in breathing resistance occurs. N-series filters should not be used in environments containing oils. R-series filters may be limited to 8 hours of continuous or intermittent use if oil aerosols are present. In environments containing only oil aerosols, P-series filters should be replaced after 40 hours of use or 30 days, whichever is first.
3. Service life of gas/vapor cartridges will depend upon activity of wearer (breathing rate); specific contaminant and concentration; and environmental conditions such as humidity, pressure, and temperature. Cartridges must be replaced in accordance with an end of service life indicator, established change schedule or earlier if smell, taste or irritation from contaminants is detected. Please see 3M Service Life Software at www.3M.com/sls.
4. The 6007 and 60927 mercury vapor cartridges must be discarded within 50 hours of use against mercury vapor; or according to organic vapor, chlorine, hydrogen sulfide or sulfur dioxide service life, or when odors of vapors or gases become noticeable, whichever occurs first. Mercury vapor has no odor.

NIOSH Cautions and Limitations

The following restrictions may apply. See NIOSH Approval Label.

- A- Not for use in atmospheres containing less than 19.5 percent oxygen.
- B- Not for use in atmospheres immediately dangerous to life or health.
- C- Do not exceed maximum use concentrations established by regulatory standards.
- D- Air-line respirators can be used only when the respirators are supplied with respirable air meeting the requirements of CGA G-7.1 Grade D or higher quality.
- E- Use only the pressure ranges and hose lengths specified in the *User's Instructions*.
- F- Do not use powered air-purifying respirators if airflow is less than four cfm (115 lpm) for tight fitting facepieces or six cfm (170 lpm) for hoods and/or helmets.
- G- If airflow is cut off, switch to filter and/or cartridge or canister and immediately exit to clean air.

H- Follow established cartridge and canister change schedules or observe ESLI to ensure that cartridges and canisters are replaced before breakthrough occurs.

J- Failure to properly use and maintain this product could result in injury or death.

L- Follow the manufacturer's *User's Instructions* for changing cartridges, canister and/or filters.

M- All approved respirators shall be selected, fitted, used, and maintained in accordance with MSHA, OSHA, and other applicable regulations.

N- Never substitute, modify, add, or omit parts. Use only exact replacement parts in the configuration as specified by the manufacturer.

O- Refer to *User's Instructions*, and/or maintenance manuals for information on use and maintenance of these respirators.

S- Special or critical *User's Instructions* and/or specific use limitations apply. Refer to *User's Instructions* before donning.

S-Special or Critical User's Instructions

3M™ Organic Vapor Service Life Indicator Cartridges (6001i and 60921i) are equipped with a passive 3M™ End of Service Life Indicator (ESLI). The indicator must be readily seen when wearing the respirator. If you cannot readily see the ESLI, use a mirror to observe the ESLI; rely on a co-worker who can see the ESLI; or go to a clean area, remove the respirator and view the ESLI. Do not rely solely on the organic vapor ESLI unless your employer has determined that it is appropriate for your workplace. See 6001i or 60921i *User Instructions* for more information, including Special Instructions regarding the ESLI.

3M™ Mercury Vapor, Organic Vapor and Acid Gas Cartridges (6007 and 60927) must be discarded within 50 hours of use against mercury vapor.

3M™ Particulate Filter P95, Hydrogen Fluoride, with Nuisance Level Acid Gas Relief, 2076HF and 3M™ Particulate Filter P100, Hydrogen Fluoride, with Nuisance Level Acid Gas Relief, 7093C are recommended for relief against nuisance levels of acid gases or organic vapors. Nuisance level refers to concentrations not exceeding OSHA PEL or applicable government occupational exposure limits, whichever is lower. Do not use for respiratory protection against acid gases or organic vapors.

If the facepiece is to be used in air-purifying mode (without using the 3M™ Breathing Tubes SA-1600 or SA-2600), the inhalation valves must be replaced in the facepiece before use.

Use of the 3M™ Nose Cup Assembly 6894 with the 3M™ Full Facepieces 6000DIN Series must be in accordance with the NIOSH approval for the system being used.

- Nose cup is not to be used with the 3M™ Powerflow™ Face-Mounted PAPR.
- Nose cup use is optional with 3M™ GVP and Breathe Easy™ Belt-Mounted PAPR systems.
- Nose cup must be used for all other 6000DIN facepiece applications.

Refer to the specific 3M product *User Instructions* for more information.

Cartridge and Filter Selection and Approvals

Before using any of these products, the user must read the specific use for, use limitations and warning information in the *User Instructions* and product packaging or call 3M Technical Service at 1-800-243-4630. In Canada, call Technical Service at 1-800-267-4414. Do not exceed maximum use concentrations established by local regulatory agencies. Cartridges/filters are approved as assemblies for use with 3M™ Facepieces 6000 Series. For NIOSH approval, refer to approval label.

LIST OF PRODUCTS

Table 1: 3M™ Full Facepiece 6000 Series Replacement Parts and Accessories Full Facepiece with DIN Port Adapter 6884

Number		****AAD	Description
6700		07138	Small
6800		07139	Medium
6900		07140	Large
1	6884		DIN Port Adapter Assembly
1A	6882		DIN Cover
1B	6876		Breathing Tube Gasket
1C	6889		Exhalation Valve
1D	6883		DIN Port Base
1E	6896		Center Adapter Gasket
1F	6881		DIN Air Director
1G	7890		Full Face Plug (Accessory not included w/6884)
2	6880		Bayonet Cap
3	6895	07145	Inhalation Gasket
4	6893	07144	Inhalation Valve
5	6898	37006	Lens Assembly
6	6894	37004	Nose Cup Assembly
7	6899	37007	Frame Assembly w/Screws
8	6897	37005	Head Harness Assembly

****AAD part numbers are catalog numbers only. NIOSH approved as PSD part numbers

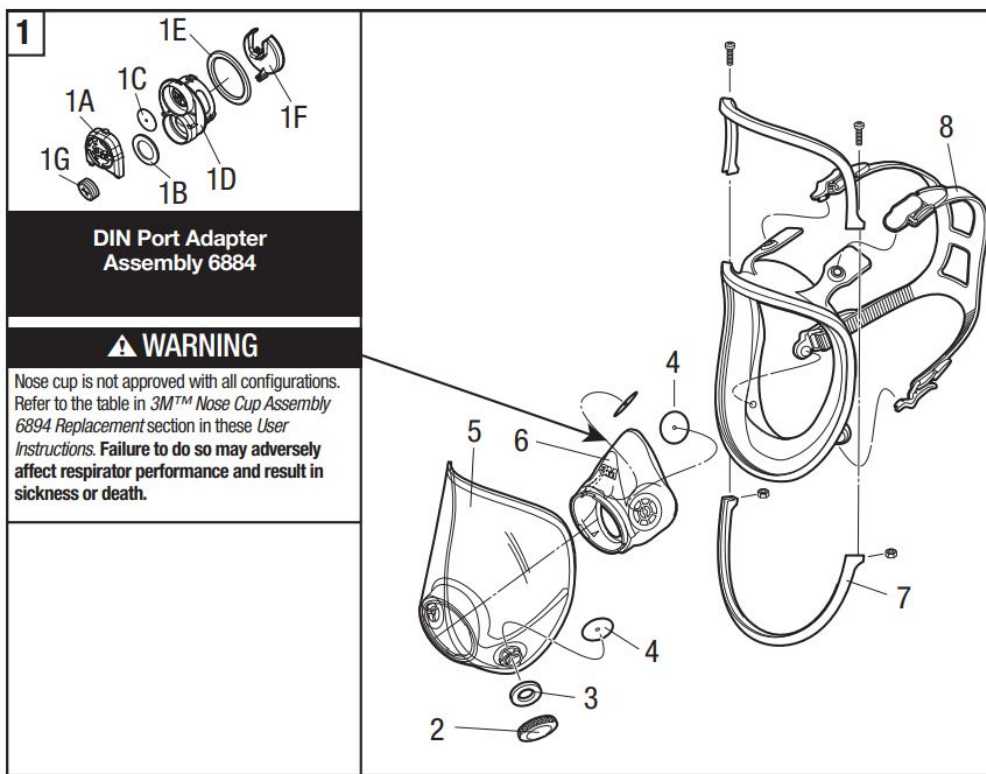


Table 2: 3M™ Accessories and Parts

Number	****AAD	Description
504	07065	Respirator Cleaning Wipes
601		Quantitative Fit Test Adapter
6878	07141	Spectacle Kit
102		Universal Spectacle Kit
6885	07142	Lens Cover
6886		Tinted Lens Cover
7883		Neck Strap Assembly

****AAD part numbers are catalog numbers only. NIOSH approved as PSD part numbers

⚠ CAUTION

Failure to properly dispose of spent cartridges, filters, or respirators contaminated by hazardous materials can result in environmental harm. Handling, transportation and disposal of spent cartridges, filters, or respirators must comply with all applicable federal, state, and local laws and regulations.

3M™ Cartridges

Table 3: 3M™ Responder Cartridge and Canister (Front-Mounted)

Number	Description	
450-02-11R06	CP3N Canister	Alpha chloroacetophenone (CN), ortho chlorobenzylidene malonitrile (CS); and P100
FR-64	Cartridge	Organic vapor, chlorine, hydrogen chloride, chlorine dioxide, sulfur dioxide, ammonia, methylamine, formaldehyde, hydrogen fluoride, hydrogen sulfide, alpha chloroacetophenone (CN), ortho chlorobenzylidene malonitrile (CS) or phosphine; and P100

NOTE: Important information is provided in the *User Instructions* with 3M™ Responder Cartridges and Canisters, which must be understood by wearer before use.

Table 4: 3M™ Cartridges 6000 Series (Side Mounted)

Number	****AAD	Description	NIOSH Approval for respiratory protection against the following contaminants up to ten times the permissible exposure limit (PEL) when qualitatively fit tested, up to fifty times the PEL when quantitatively fit tested, and up to 1000 times the PEL when used in powered air-purifying or supplied air mode
6001	07046	Organic Vapor	Certain organic vapors
6001i		Organic Vapor with Service Life Indicator	Certain organic vapors
6002		Acid Gas	Chlorine, hydrogen chloride, and sulfur dioxide or chlorine dioxide or hydrogen sulfide.
6003	07047	Organic Vapor/Acid Gas	Certain organic vapors, chlorine, hydrogen chloride, and sulfur dioxide or hydrogen sulfide or hydrogen fluoride
6004		Ammonia/Methylamine	Ammonia and methylamine
6005		Formaldehyde/Organic vapor	Formaldehyde and certain organic vapors
6006		Multi-Gas/Vapor	Certain organic vapors, chlorine, hydrogen chloride, chlorine dioxide, sulfur dioxide, hydrogen sulfide, ammonia/methylamine, formaldehyde or hydrogen fluoride
6007		Mercury Vapor/Organic Vapor/Acid Gas	Mercury vapor, certain organic vapors, sulfur dioxide, hydrogen sulfide or chlorine gas
60921		Organic Vapor/P100	Certain organic vapors and particulates
60921i		Organic Vapor with Service Life Indicator/P100	Certain organic vapors and particulates
60922		Acid Gas/P100	Chlorine, hydrogen chloride, and sulfur dioxide or chlorine dioxide or hydrogen sulfide and particulates
60923		Organic Vapor/Acid Gas/P100	Certain organic vapors, chlorine, hydrogen chloride, and sulfur dioxide or hydrogen sulfide or hydrogen fluoride and particulates
60924		Ammonia/Methylamine/P100	Ammonia and methylamine and particulates
60925		Formaldehyde/Organic Vapor/P100	Formaldehyde and certain organic vapors and particulates
60926		Multi-Gas/Vapor/P100	Certain organic vapors, chlorine, hydrogen chloride, chlorine dioxide, sulfur dioxide, hydrogen sulfide, ammonia/methylamine, formaldehyde or hydrogen fluoride and particulates
60927		Mercury Vapor/Organic Vapor/Acid Gas/P100	Mercury vapor, certain organic vapors, sulfur dioxide, hydrogen sulfide or chlorine gas and particulates
60928		Organic Vapor/Acid Gas/P100	Certain organic vapors, chlorine, hydrogen chloride, and sulfur dioxide or hydrogen sulfide or hydrogen fluoride and particulates. ¹

****AAD part numbers are catalog numbers only. NIOSH approved as PSD part numbers

¹3M recommended for use against methylbromide or radioiodine up to 5 ppm with daily cartridge replacement. **NOTE: Not NIOSH approved for use against methylbromide or radioiodine.**

Table 5: 3M™ Filters (Side-Mounted), Adapters and Retainers

Number	****AAD	Description
501	07054	Filter Retainer for Filters 5N11 and 5P71
502		Filter Adapter for Filters 2000 Series and 7093/7093C
2071		Particulate Filter P95
2076HF		Particulate Filter P95, hydrogen fluoride, with nuisance level acid gas relief ¹
2078		Particulate Filter P95, 3M recommended ozone protection ² , with nuisance level organic vapor/acid gas relief ¹
2091	07000	Particulate Filter P100
2291		Advanced Particulate Filter P100
2096		Particulate Filter P100, with nuisance level acid gas relief ¹
2296		Advanced Particulate Filter P100, with nuisance level acid gas relief ¹
2097	07184	Particulate Filter P100, 3M recommended for ozone protection ² , with nuisance level organic vapor relief ¹
2297		Advanced Particulate Filter P100, 3M recommended for ozone protection ² , with nuisance level organic vapor relief ¹
5N11		Particulate Filter N95
5P71	07194	Particulate Filter P95
7093		Particulate Filter P100
7093C	37173	Particulate Filter P100, hydrogen fluoride, with nuisance level organic vapor/acid gas relief ¹

****AAD part numbers are catalog numbers only. NIOSH approved as PSD part numbers

¹3M recommended for relief against nuisance levels of acid gas or organic vapors. Nuisance level refers to concentrations not exceeding OSHA PEL or applicable exposure limits, whichever is lower. Do not use for respiratory protection against acid gas/organic vapors.

²3M recommended for ozone protection up to 10 times the OSHA PEL or applicable government occupational exposure limits, whichever is lower. **NOTE: Not NIOSH approved for use against ozone.**

ASSEMBLY INSTRUCTIONS

All 3M™ Full Facepieces 6000 Series equipped with the 3M™ DIN Port Adapter 6884 (full facepiece assemblies 6700DIN, 6800DIN and 6900DIN) can be used in any of the following configurations:

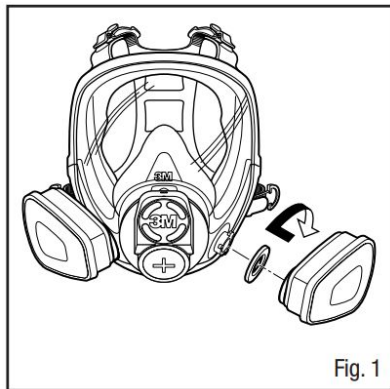
- Powered Air-Purifying Respirator (PAPR)
 - 3M™ GVP Belt-Mounted PAPR with 3M™ Breathing Tube GVP-123
 - 3M™ Powerflow™ Face-Mounted PAPR
 - 3M™ Breathe Easy™ Belt-Mounted PAPR with 3M™ Breathing Tube 520-01-77
- Supplied Air Respirator (SAR)
 - 3M™ Dual Airline
 - 3M™ Air Control Devices – Continuous Flow (excluding Air Regulating Kit W-3196 and stainless steel options)
- Negative Pressure
 - 3M™ Responder Cartridge FR-64 and CP3N Canister (Front-Mounted)
 - 3M™ Filters 2000 Series, Filters 7093/7093C and Cartridges 6000 Series (Side-Mounted)

Whenever the air filtration/supply system, including responder canisters or cartridges are attached to the center DIN port of the DIN Port Adapter Assembly 6884, the 3M™ Full Face Plug 7890 must be removed from the center port and the two bayonet ports must be closed using bayonet caps 6880 and Inhalation Port Gaskets 6895.

NOTE: Make certain that 3M™ Inhalation Port Gaskets 6895 are in place on the facepiece bayonet connectors before installing filters, cartridges or breathing tubes.

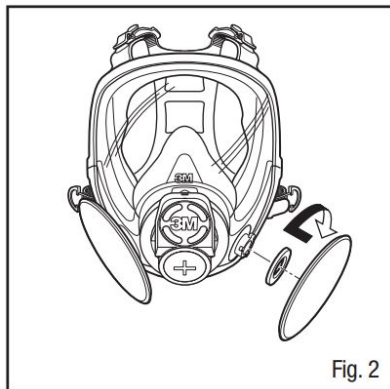
3M™ Cartridge 6000 Series, Filter 7093 and Cartridge/Filter 7093C (Side- Mounted)

1. Align the cartridge notch with the small solid bayonet lug on facepiece and push together.
2. Turn cartridge clockwise to stop (1/4 turn).
3. Repeat with second cartridge (Fig. 1).
4. Check that a breathing tube gasket (gray) 6876 and plug 7890 have been installed in the center DIN port.



3M™ Filter 2000 Series

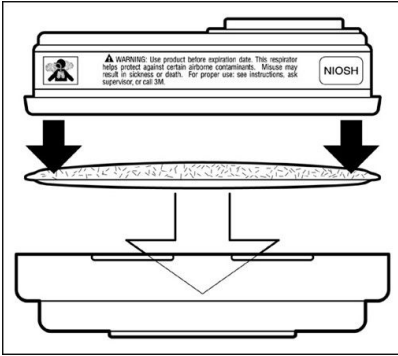
1. Align opening of filter with filter attachment on facepiece.
2. Turn filter clockwise until it is firmly seated and cannot be further turned.
3. Repeat for second filter (Fig. 2).
4. Check that a breathing tube gasket (gray) 6876 and plug 7890 has been installed in the center DIN port.



3M™ Filters 5N11 and 5P71

1. Place filter into 3M™ Retainer 501 so printed side of filter faces the cartridge.
2. Press cartridge into filter retainer. It should snap securely into filter retainer. When correctly installed, filter should completely cover face of cartridge (Fig. 3).
3. To replace filter, remove retainer by lifting on TAB.

Fig. 3



3M™ Filter Adapter 502 Assembly and Filter Attachment

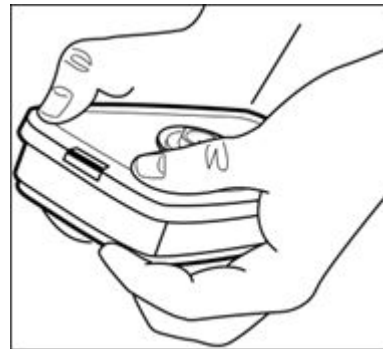
1. Align adapter over cartridge. Engage front snap by squeezing front of cartridge and adapter together, placing thumbs of both hands over top of adapter and fingers along bottom sides of cartridge (Fig. 4).
2. Engage back snap by squeezing backside of cartridge and adapter together using the same hand positions. An audible click should be heard as each snap is engaged (Fig. 5).
3. Place filter onto the filter holder so that filter comes into even contact with gasket. Twist clockwise a quarter turn until it is firmly seated and filter cannot be turned further. Repeat for second filter.

NOTE: The 3M™ Filter Adapter 502, once installed on a 3M™ Cartridge 6000 Series, is not to be removed or reused. Removal or reuse may result in leakage, overexposure, sickness or death.

Fig. 4



Fig. 5



3M™ Supplied Air Systems



To meet the U.S. National Institute for Occupational Safety and Health (NIOSH) requirement for minimum (4 CFM/115 lpm) and maximum (15 CFM/424 lpm) air flow, the air control valves approved for use with the 3M™ Full Facepiece Respirators 6000 Series must be operated within the correct supply pressure ranges and hose lengths. **Failure to do so may result in sickness or death.**

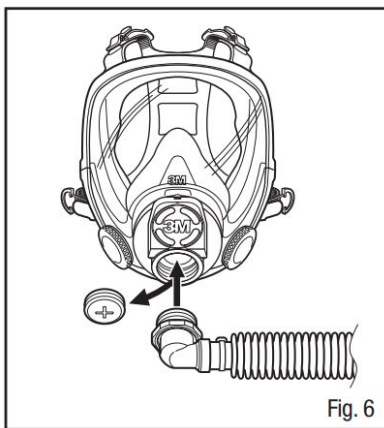
⚠ WARNING

Your employer must provide breathing air that meets at least the requirements of the specification for Grade D breathing air, as described in the Compressed Gas Association Commodity Specification G-7.1-1997 in the United States. In Canada, refer to CSA standard Z180.1, table for the quality of compressed breathing air. **Failure to do so may result in sickness or death.**

3M™ Air Control Devices – Continuous Flow

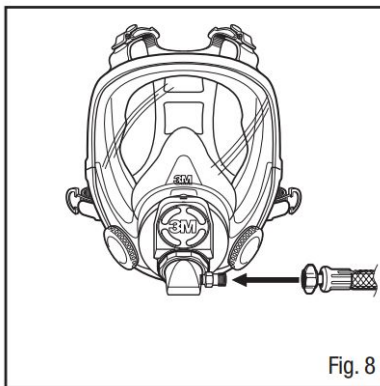
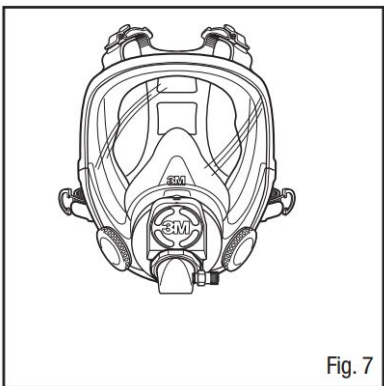
3M™ Breathing Tube Assembly W-3264

1. Remove 3M™ Full Face Plug 7890 and screw breathing tube into center opening (Fig. 6).
2. Connect the other end of breathing tube to air regulating valve.
3. Check all attachments for secureness prior to each use. See User Instructions included with air regulating valves for further information.



3M™ Breathing Tube Assembly W-3188

1. Remove 3M™ Full Face Plug 7890 and screw in 3M™ Adapter W-3187 into center opening (Fig. 7).
2. Connect 3M™ Breathing Tube W-3188 to adapter (Fig. 8).
3. Connect 3M™ Breathing Tube W-3188 to air regulator valve (Fig. 8).
4. Ensure all attachments are secure. See User Instructions included with air regulating valves for further information.



3M™ Dual Airline Respirator Assembly

User must follow dual airline supplied air respirators User Instructions provided with the 3M™ Dual Airline Supplied Air Respirators.

Assembly of 3M™ Combination Dual Airline Respirator with Cartridges and/or Filters

The front-mounted SA-1600 and back-mounted SA-2600 versions of the 3M™ Dual Airline Breathing Tubes allow use of selected NIOSH approved 3M™ Cartridges 6000 Series and Filters 2000 Series. For the listing of approved cartridges and filters, reference the NIOSH Approval Label included with dual airline adapter kits.

To assemble 3M™ Dual Airline Combination Breathing Tubes with 3M™ Cartridges/Filters, the facepiece inhalation valves must be removed.

IMPORTANT: If the facepiece is to be used in air-purifying mode (without using the SA-1600 or SA-2600 breathing tubes), the inhalation valves must be replaced in the facepiece before use.

Using the 3M™ Combination Dual Airline Breathing Tubes without Cartridges and/or Filters

To use the combination dual airline breathing tubes SA-1600 and SA-2600 without cartridges or filters, attach a 3M™ Bayonet Cap 6880 to each outer bayonet mount on the dual airline breathing tube. When used as a Type C, continuous flow supplied air full facepiece respirator, the Assigned Protection Factor is 1000 times the PEL or other occupational exposure limit.

WARNING

The 3M™ Dual Airline is NIOSH approved only with the 3M™ Nose Cup Assembly 6894 in place. **Failure to do so may result in sickness or death.**

3M™ Responder Cartridge and Canister Assembly

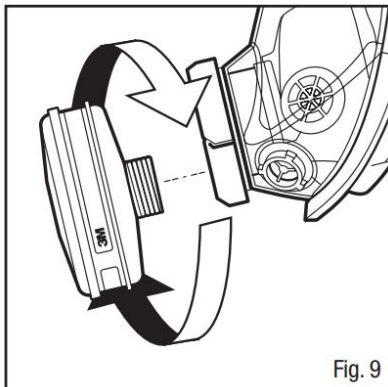
WARNING

The 3M™ Canister CP3N and cartridge FR-64 are NIOSH approved only with the nose cup assembly 6894 in place. **Failure to do so may result in sickness or death.**

WARNING

Overtightening may cause damage to the DIN Port Adapter housing and/or gasket and allow unfiltered air to enter the facepiece, which may result in sickness or death.

Important *User Instructions* on proper use and use limitations are included with the CP3N Canister and Cartridge FR-64. The two bayonet ports on the lens must be closed using Bayonet Caps 6880 and Inhalation Port Gaskets 6895. Before installing the canister, check that the Breathing Tube Gasket 6876 is in place and in good condition. Screw the responder canister/cartridge into the DIN Port Adapter and tighten with moderate hand pressure (Fig. 9).



3M™ GVP PAPR Assembly

Screw 3M™ breathing tube GVP-123 elbow adapter into the center port of the adapter assembly 6884. User must follow *User Instructions* provided with the GVP Belt-Mounted Powered Air-Purifying Respirator Assembly.

3M™ Breathe Easy™ Turbo PAPR Assembly

Screw the threaded adapter on the 3M™ Breathing Tube 520-01-77 into the center port of the Din port adapter assembly 6884. User must follow *User Instructions* provided with the 3M™ Breathe Easy™ Turbo PAPR Assembly.

3M™ Powerflow™ PAPR Assembly

User must follow *User Instructions* provided with the 3M™ Powerflow™ PAPR.



The 3M™ Powerflow™ Systems are not NIOSH approved for use with a nose cup. Use of a nose cup **may result in sickness or death.**



The connection between the 3M™ Powerflow™ PAPR Assembly and the 3M™ Full Facepiece 6000DIN must be checked every time the unit is assembled or swiveled. This check should be performed outside the contaminated environment. Entering the contaminated area while the connection between the PAPR assembly and the facepiece is loose **may result in sickness or death.**

FITTING INSTRUCTIONS

Must be followed each time respirator is worn.

NOTE: Do not use with beards or other facial hair or other conditions that prevent a good seal between the face and the faceseal of the respirator. Standard eyeglasses cannot be worn with full facepiece respirators. If corrective eyeglasses are required a 3M™ Spectacle Kit must be used inside the respirator. To help maintain a good seal between the face and the faceseal all hair, hoods, or other equipment must be kept out of respirator faceseal area at all times.

Donning Respirator

1. Fully loosen all four head straps. With one hand pull hair back out of facepiece sealing area. Place chin in the respirator chin cup. While holding the facepiece in place, pull the head harness to back of head (Fig. 10).
2. Pull the ends of the four straps to adjust tightness, starting with the neck straps first, then the forehead straps. Do not overtighten the straps (Fig. 11).
3. Perform a positive and/or negative pressure user seal check each time the respirator is donned.

Fig. 10



Fig. 11

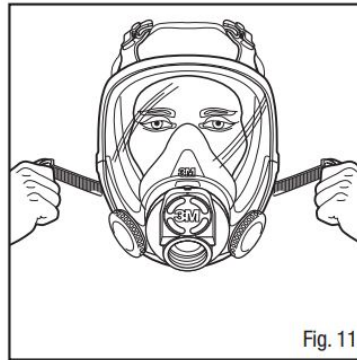


Fig. 11

Fig. 12

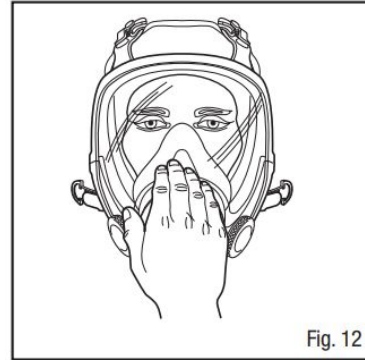


Fig. 12

User Seal Checks

Always check the seal of the respirator on your face before entering a contaminated area.

Positive Pressure User Seal Check

1. Remove breathing tube, 3M™ Powerflow™ PAPR Assembly or cartridge/canister from the center DIN port, as applicable.
2. With the palm of your hand covering the exhalation valve cover and center DIN port, exhale gently. If the facepiece bulges slightly and no air leaks are detected between your face and the facepiece, a proper seal has been obtained (Fig. 12).
3. If faceseal air leakage is detected, reposition the respirator on your face and/or readjust the tension of the straps to eliminate air leakage and recheck seal.

If you cannot achieve a proper seal, DO NOT enter contaminated area. See your supervisor.

Negative Pressure User Seal Check with 3M™ Powerflow™ PAPR and Responder Canister/Cartridge

1. Place palms of hands over the air inlet of the cartridge/canister.
2. Inhale gently. If you feel the facepiece collapse slightly and pull closer to your face with no leaks between the face and facepiece, a proper seal has been obtained.
3. If faceseal air leakage is detected, reposition the respirator on your face and/or readjust the tension of the straps to eliminate air leakage and recheck seal.

If you cannot achieve a proper seal, DO NOT enter contaminated area. See your supervisor.

Negative Pressure User Seal Check with 3M™ GVP and Breathe Easy™ PAPRs

1. Place the palm of the hand over the breathing tube opening (Fig. 12).
2. Inhale gently. If you feel the facepiece collapse slightly and pull closer to your face with no leaks between the face and facepiece, a proper seal has been obtained.
3. If faceseal air leakage is detected, reposition the respirator on your face and/or readjust the tension of the straps to eliminate air leakage and recheck seal.

If you cannot achieve a proper seal, DO NOT enter contaminated area. See your supervisor.

Fig. 13

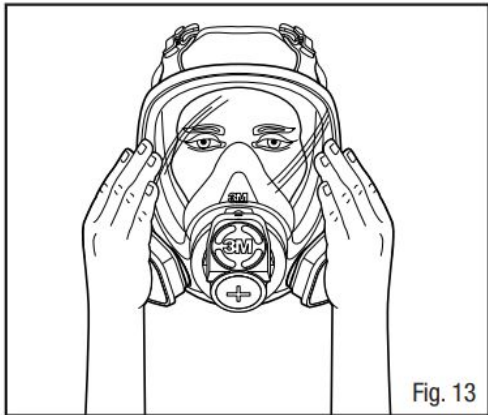
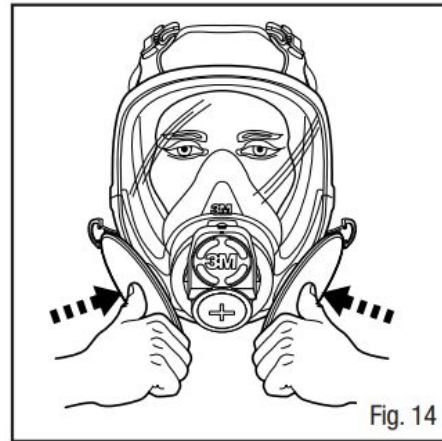


Fig. 14



Negative Pressure User Seal Check with Cartridges 6000 Series (Side-Mounted)

1. Place palms of hands to cover face of cartridge or open area of 3M™ Filter Retainer 501 and inhale gently. If you feel facepiece collapse slightly and pull closer to your face with no leaks between the face and facepiece, a proper seal has been obtained (Fig. 13).
2. If faceseal air leakage is detected, reposition the respirator on your face and/or readjust the tension of the straps to eliminate leakage and recheck seal.

If you cannot achieve a proper seal, DO NOT enter contaminated area. See your supervisor.

NOTE: Use of 3M Filter Retainer 501 may aid respirator wearer in conducting a negative pressure user seal check.

Negative Pressure User Seal Check with 2000 Series Filters (Side-Mounted)

1. Place your thumbs onto the center portion of the filters, restricting airflow through filters and inhale gently. If you feel facepiece collapse slightly and pull closer to your face with no leaks between the face and facepiece, a proper seal has been obtained. (Fig. 14)
2. If faceseal air leakage is detected, reposition the respirator on your face and/or readjust the tension of the straps to eliminate the leakage and recheck seal.

If you cannot achieve a proper seal, DO NOT enter contaminated area. See your supervisor.

Negative Pressure User Seal Check with Filters 7093/7093C (Side-Mounted)

1. Using hands press filter covers toward facepiece and inhale gently. If you feel facepiece collapse slightly and pull closer to your face with no leaks between the face and facepiece a proper seal has been obtained.
2. If faceseal air leakage is detected, reposition the respirator on your face and/or readjust the tension of the straps to eliminate the leakage and recheck seal.

If you cannot achieve a proper seal, DO NOT enter contaminated area. See your supervisor.

Negative Pressure User Seal Check with Dual Airline and Center Mounted Airline

1. Disconnect airline hose from air control valve.
2. With breathing tube still connected to the air control valve inhale gently. If you feel facepiece collapse slightly and pull closer to your face with no leaks between the face and facepiece, a proper seal has been obtained.
3. For combination dual airline where cartridges or filters are attached perform user seal check as described under the appropriate cartridge or filter that is being used.
4. If faceseal air leakage is detected, reposition the respirator on your face and/or readjust the tension of the straps to eliminate the leakage and recheck seal.

If you cannot achieve a proper seal, **DO NOT** enter contaminated area. See your supervisor.

NOTE: Before assigning any respirator to be worn in a contaminated area, a qualitative or quantitative fit test must be performed per OSHA 29 CFR 1910.134, or CSA Standard Z94.4.

RESPIRATOR REMOVAL

1. Fully loosen all four head straps by lifting up on buckles.
2. Remove respirator by pulling straps over head.

FIT TESTING

The effectiveness of a respirator will be reduced if it is not fitted properly. Therefore, either qualitative or quantitative fit testing must be conducted prior to respirator being used.

NOTE: Fit testing is a U.S. OSHA and Canadian CSA Z94.4 standard requirement. Therefore, either quantitative or qualitative fit testing must be conducted prior to the respirator being issued.

Quantitative Fit Testing

Quantitative Fit Testing (QNFT) can be conducted using a 3M™ Fit Test Adapter 601 and P100 filters such as the 3M™ Particulate Filters P100 2091 or 7093.

Qualitative Fit Testing

Qualitative Fit Testing (QLFT) with the 3M™ Qualitative Fit Test Apparatus FT-10 or FT-30 can be conducted using any of the NIOSH approved particulate filters.

Respirators should also be fit tested while wearing any personal protective equipment (PPE) the wearer may use in their work environment that may affect the fit of the respirator (e.g. hoods, hardhats, safety glasses, hearing protections, etc.).

NOTE: For further information concerning fit testing, contact 3M Technical Service at 1-800-243-4630 or a 3M location in your region. In Canada call Technical Service at 1-800-267-4414.

INSPECTION, CLEANING, AND STORAGE

Inspection Procedure

This respirator must be inspected before each use to ensure that it is in good operating condition. Any damaged or defective parts must be replaced before use. Do not enter a contaminated area with damaged or defective parts. The following inspection procedure is recommended:

1. Check facepiece for cracks, tears and dirt. Be certain facepiece, especially faceseal area, is not distorted.
2. Examine inhalation valves for signs of distortion, cracking or tearing.
3. Make sure that head straps are intact and have good elasticity.
4. Examine all plastic parts for signs of cracking or fatiguing. Make sure filter gaskets are properly seated and in good condition.
5. Remove exhalation valve cover and examine exhalation valve and valve seat for signs of dirt, distortion, cracking or tearing. Replace exhalation valve cover.
6. Inspect lens for any damage that may impair respirator performance or vision.

Cleaning and Storage

Cleaning is recommended after each use.



Do not clean respirator with solvents. Cleaning with solvents may degrade some respirator components and reduce respirator effectiveness. Inspect all respirator components before each use to ensure proper operating condition. **Failure to do so may result in sickness or death.**

1. Remove cartridges, filters and/or breathing tubes. The center adapter, lens and faceseal can also be removed if necessary.
2. Clean facepiece (excluding filters and cartridges), by immersing in warm cleaning solution, water temperature not to exceed 120°F (49°C), and scrub with soft brush until clean. Add neutral detergent if necessary. Do not use cleaners containing lanolin or other oils.
3. Disinfect facepiece by soaking in a solution of quaternary ammonia disinfectant or sodium hypochloride (1 oz [30 ML] household bleach in 2 gallons [7.5 L] of water), or other disinfectant.
4. Rinse in fresh, warm water and air dry in non-contaminated atmosphere.
5. Respirator components should be inspected prior to each use. A respirator with any damaged or deteriorated components should be repaired or discarded.
6. The cleaned respirator should be stored away from contaminated areas when not in use.

REPLACEMENT PART INSTRUCTIONS

3M™ Facepiece Assemblies for 6700DIN/6800DIN/6900DIN

The facepiece consists of the head harness assembly, nose cup assembly, center adapter assembly, lens assembly, faceseal (small, medium or large), and frame assembly (top, bottom, nuts and screws).

To disassemble lens assembly from faceseal, remove the two Phillips screws from top frame. Then, pull the frame top and frame bottom away from the faceseal. The frame top, frame bottom, faceseal and the lens assembly have vertical line markings that indicate their positions relative to one another. Make certain these markings are aligned for reassembly.

3M™ DIN Port Adapter Assembly 6884 Replacement

The DIN port adapter (center adapter) assembly consists of a 3M™ Din Port Base 6883, 3M™ DIN Cover 6882, 3M™ DIN Air Director 6881, 3M™ Exhalation Valve 6889, 3M™ Breathing Tube Gasket 6876 and 3M™ Center Adapter Gasket 6896. It is secured to the center of the lens with a bayonet-style twist lock connection which compresses the center adapter gasket 6896. The DIN port adapter assembly 6884 is locked in position by the DIN air director 6881.

To remove the center adapter from the facepiece

1. Remove nose cup assembly (except in 3M™ Powerflow™ Systems) by pulling away from center adapter inside facepiece (Fig. 15).
2. Squeeze the locking tab at the back of the air director 6881 and pull back to disengage from the DIN port base 6883 (Fig. 16).
3. Grasp center adapter at cover and twist counter-clockwise 1/4 turn to disengage bayonet from facepiece lens.
4. Withdraw center adapter from lens center port.

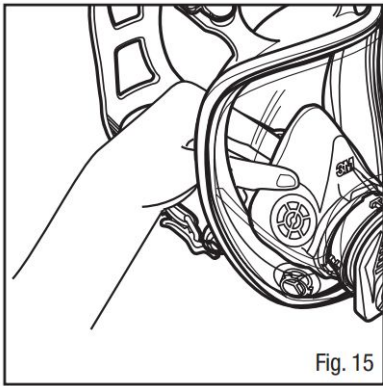


Fig. 15

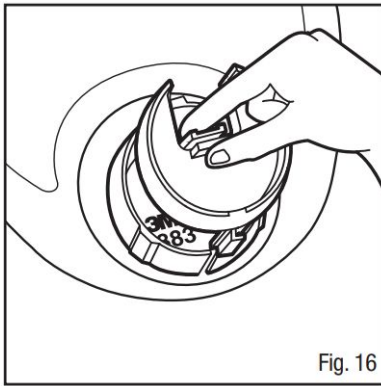


Fig. 16

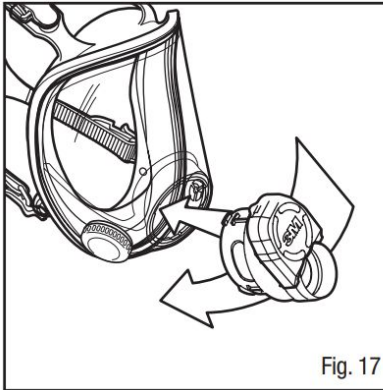


Fig. 17

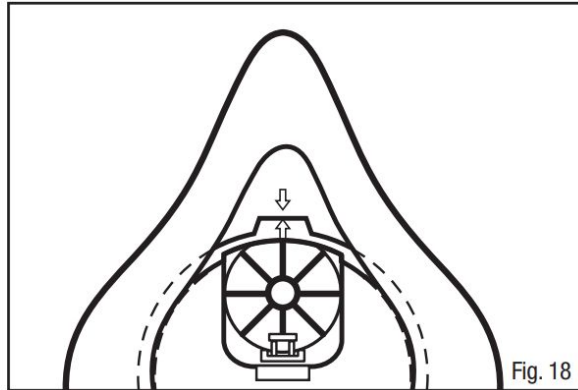


Fig. 18

To install the center adapter into the facepiece

1. Remove the DIN air director 6881 from the DIN port base 6883.
2. Align tabs on center adapter base with notches in center port of facepiece lens.
3. Slide adapter into lens port (Fig. 17).
4. Grasp center adapter at cover and twist clockwise 1/4 turn to stop. Be certain center adapter gasket is properly in place and sealed, and that the adapter assembly is fully engaged.
5. Align the lug at the bottom of the air director 6881 with the slot at the bottom of the DIN port base 6883 (Fig. 16). Slide forward and press the center knob until the locking tab clicks into place.
6. Replace nose cup assembly, where applicable. Refer to the table in 3M™ Nose Cup Assembly Replacement section in these instructions.
7. Attach the 3M™ Bayonet Caps 6880 to side inlet ports on the facepiece if using in one of the following 3M configurations: belt-mounted or face-mounted PAPR systems, or the responder cartridge or canister in the negative pressure mode.

3M™ Nose Cup Assembly 6894 Replacement




The nose cup assembly 6894 replacement consists of a nose cup and inhalation valves. It is designed to install onto the center adapter and comfortably fit over the respirator wearer's mouth and nose to aid in purging exhaled breath and prevent lens fogging.

1. Remove the nose cup assembly by pulling away from center adapter inside facepiece (Fig. 15).
2. To replace, position nose cup assembly onto center adapter aligning arrows (Fig. 18).

Nose Cup Requirements

Use of the 3M™ Nose Cup Assembly 6894 with the 3M™ Full Facepiece 6000DIN Series must be in accordance with the following table.

Table 6: Nose Cup Use Requirements for 3M™ Full Facepiece 6000DIN Series

3M™ Respirator System	NIOSH Approved only with Nose Cup	NIOSH Approved only without Nose Cup	NIOSH Approved with or without Nose Cup
Belt-Mounted PAPRs			
3M™ Powerflow™ Face-Mounted PAPR			
Supplied Air Cartridges 6000 Series Filters 2000 Series CP3N Canister Cartridge FR-64 Dual Airline			

 **WARNING**

Failure to use or not use the 3M™ Nose Cup 6894 in accordance with the above requirements may adversely affect respirator performance and result in sickness or death.

3M™ Center Adapter Gasket 6896 Replacement

The 3M™ Center Adapter Gasket Replacement 6896 is designed to seal the interface between the center adapter and the lens of the Full Facepiece 6000 Series.

1. Remove nose cup assembly and center adapter assembly as described in previous “DIN Port Adapter” and “Nose Cup Replacement” sections.
2. Remove old gasket 6896 from center adapter and replace with new replacement gasket 6896.
3. Re-install center adapter and nose cup into facepiece.

3M™ Inhalation Valve 6893 Replacement

Inhalation valves are located on posts at the inside of the facepiece inhalation ports and inside the nose cup inhalation ports. These valves should be inspected before each respirator use and replaced whenever valves become damaged or lost.

1. Remove existing valve(s) by lifting from post(s).
2. Install new valve(s) onto post(s). Be certain valve(s) is fully engaged under all three lugs on post(s), lays flat, and moves freely (spins) on post (Fig. 21).

3M™ Exhalation Valve 6889 Replacement

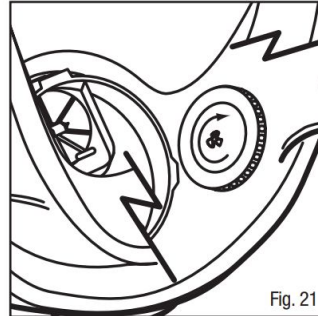
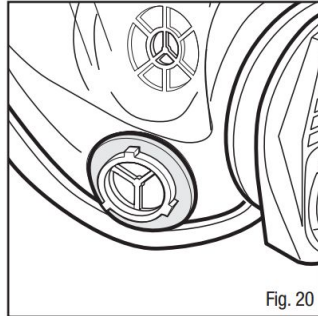
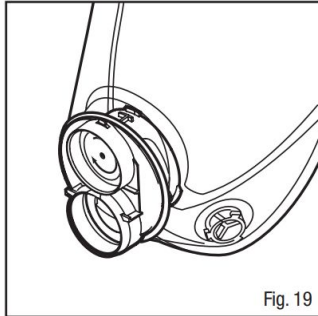
1. Remove center adapter cover by pulling out from bottom latch.
2. Grasp valve and pull valve stem out from valve seat.
3. Inspect valve seat making certain it is clean and in good condition.
4. Place new 6889 over the exhalation port and push or press valve stem into center hole. Be certain the valve is fully seated and spins freely in mount (Fig. 19).
5. Replace adapter cover by engaging top and bottom snaps (latches).

NOTE: Conduct a negative pressure user seal check to ensure exhalation valve is functioning properly.

3M™ Inhalation Port Gasket 6895 Replacement

The gasket 6895 is designed to seal the interface between the bayonet attachment inhalation ports on the facepiece and filters/cartridges, or dual airline breathing tubes installed on the facepieces. The gaskets should be inspected with each filter/cartridge change and replaced whenever damaged or seal integrity is questionable.

1. Remove gaskets from facepiece inhalation port bayonet fittings.
2. Install new gaskets onto facepiece inhalation port bayonet fittings. Be certain gaskets are in proper position under all three bayonet lugs (Fig. 20).



3M™ Head Harness 6897 Replacement

Read and follow Head Harness Assembly 6897 Replacement Instructions included with replacement head harness for instructions on removing and replacing the head harness.

3M™ Lens Assembly 6898

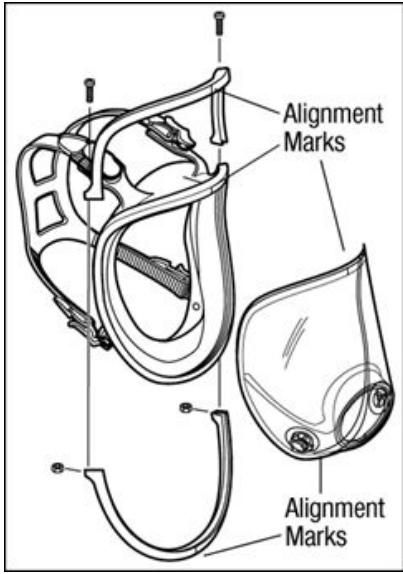
The lens assembly 6898 consists of a hard-coated polycarbonate lens with installed bayonet attachment inhalation port fittings, inhalation valves, and inhalation port filter/cartridge gaskets. The lens 6898 is replaceable by following these steps:

1. Remove nose cup assembly and center adapter assembly as described in previous DIN port adapter and nose cup replacement sections.
2. Remove the (2) Phillips screws from the lens/faceseal frame. Pull the frame top and frame bottom away from faceseal.
3. Remove faceseal from lens.
4. Place new lens and faceseal together aligning marks at top and bottom. Position top and bottom frame, again aligning marks top and bottom (Fig. 22). Install and securely tighten screws. Make certain alignment marks are properly aligned top and bottom with all components.
5. Install center adapter assembly.
6. Replace nose cup assembly.

3M™ Frame Kit 6899

The frame kit 6899 includes a frame top, frame bottom, (2) Phillips head screws and (2) hex head nuts. The frame kit secures and seals the 3M™ Full Facepiece 6000 Series faceseal to the lens assembly 6898.

1. After assembling the faceseal onto the lens, matching top and bottom alignment marks, position top frame, over lens and faceseal, aligning center vertical marks, then press in place.
2. Position bottom frame, aligning center vertical mark, and press in place (Fig. 22).
3. Insert and tighten Phillips head screws. Make certain parts are properly aligned and sealed together.



FR : Respirateur à masque complet de série 6000DIN 3M^{MC}

DIRECTIVES DE SÉCURITÉ D'ORDRE GÉNÉRAL

Usage prévu

Les respirateurs à masque complet 3M^{MC} de série 6000 sont homologués par le NIOSH et conçus pour offrir une protection respiratoire contre certains contaminants en suspension dans l'air lorsqu'on les utilise conformément à toutes les directives et restrictions d'utilisation ainsi qu'aux lois sur la santé et la sécurité en vigueur.

Les masques complets de Série 6000 répondent aux exigences de la norme Z87.1-2010 de l'ANSI en matière de protection des yeux et du visage. Ces produits offrent une protection limitée contre la projection de particules.

Ce produit ne contient aucun composant en latex de caoutchouc nature.



AVERTISSEMENT

Ce respirateur protège contre certains contaminants en suspension dans l'air. **Une mauvaise utilisation peut provoquer des problèmes de santé ou la mort.** Pour tout renseignement sur l'utilisation adéquate de ce produit, consulter son superviseur, lire les *directives d'utilisation* ou communiquer avec 3M, aux États-Unis, au 1 800 243-4630. Au Canada, communiquer avec le Service technique au 1 800 267-4414.

Ces *directives d'utilisation* fournissent uniquement des renseignements relatifs à l'utilisation des masques. On trouvera des renseignements importants dans les *directives d'utilisation* fournies avec chaque système d'adduction ou de filtration d'air dont l'utilisation avec le respirateur à masque complet de série 6000 est homologuée par le NIOSH. Tout manquement aux directives *directives d'utilisation* des systèmes de filtration et d'adduction d'air utilisés **risque de provoquer des problèmes de santé ou la mort.**

Ne pas nettoyer le respirateur à l'aide de solvants. Le nettoyage du respirateur avec des solvants peut en réduire l'efficacité et endommager certains de ses composants. Inspecter tous les composants du respirateur avant chaque utilisation pour s'assurer qu'il est en bon état de marche. **Tout manquement à ces directives peut provoquer des problèmes de santé ou la mort.**

Pour une utilisation en mode à adduction d'air, l'employeur doit fournir de l'air respirable répondant au moins aux exigences relatives à l'air respirable de catégorie D, comme le décrit la norme G-7.1-1997 de la Compressed Gas Association des États-Unis. Au Canada, consulter le tableau de la norme Z180.1 de la CSA régissant la qualité de l'air comprimé respirable. Tout manquement à ces directives **peut provoquer des problèmes de santé ou la mort.**

DIRECTIVES ET RESTRICTIONS D'UTILISATION

Important

Avant de se servir du produit, l'utilisateur doit lire et comprendre les présentes *directives d'utilisation*. Conserver ces directives à titre de référence.

Utiliser pour

La protection des voies respiratoires contre certains contaminants en suspension dans l'air conformément aux homologations du NIOSH, aux restrictions de l'OSHA, aux exigences de la norme Z94.4 de la CSA au Canada, à tout autre règlement applicable et aux directives de 3M.

Ne pas utiliser

Si les concentrations des contaminants présentent un danger immédiat pour la vie ou la santé (DIVS), si elles sont inconnues ou si elles sont supérieures à 10 fois la limite d'exposition admissible en mode d'épuration d'air lorsque le respirateur est soumis à un essai d'ajustement qualitatif, à 50 fois la limite d'exposition admissible en mode d'épuration d'air lorsque le respirateur est soumis à un essai d'ajustement quantitatif, à 1 000 fois la limite d'exposition admissible en mode d'épuration d'air propulsé ou d'adduction d'air, ou aux normes spécifiques de l'OSHA ou aux règlements gouvernementaux applicables, selon la valeur la moins élevée.

Mode d'emploi

1. Tout manquement aux directives et aux restrictions relatives à l'utilisation de ce respirateur pendant la durée complète de l'exposition peut en diminuer l'efficacité et **provoquer des problèmes de santé ou la mort.**
2. Avant d'utiliser ce respirateur en milieu professionnel, mettre sur pied un programme de protection respiratoire écrit, conforme au règlement 29 CFR 1910.134 de l'OSHA, en matière d'évaluation médicale, de formation et d'essai d'ajustement, par exemple, et aux normes de l'OSHA relatives aux substances. Au Canada, se conformer à la norme Z94.4 de la CSA et/ou aux exigences de l'autorité compétente de sa région, selon le cas. Pour une utilisation en mode à adduction d'air, l'employeur doit fournir de l'air respirable répondant au moins aux exigences relatives à l'air respirable de catégorie D, comme le décrit la norme G-7.1-1997 de la Compressed Gas Association des États-Unis. Au Canada, les systèmes utilisant de l'air respirable doivent être alimentés en air répondant au moins aux exigences de la norme Z180.1 de la CSA.
3. Les contaminants en suspension dans l'air jugés dangereux pour la santé englobent les particules trop petites pour être senties ou visibles à l'œil nu.
4. Si le respirateur est endommagé, si vous sentez ou goûtez des contaminants, ou si vous éprouvez des étourdissements, une irritation ou tout autre malaise, quitter immédiatement la zone contaminée et réparer ou remplacer le respirateur ou communiquer avec le superviseur.
5. Entre chaque utilisation, entreposer le respirateur hors des zones contaminées.
6. Mettre les produits usés au rebut conformément aux règlements applicables.

Restrictions d'utilisation

1. Ce respirateur ne fournit pas d'oxygène lorsqu'il est utilisé en mode d'épuration d'air. Ne pas utiliser lorsque la concentration ambiante en oxygène est inférieure à 19,5%.
2. Ne pas utiliser si les concentrations de contaminants présentent un danger immédiat pour la vie ou la santé, si elles sont inconnues ou si elles sont supérieures à 10 fois la limite d'exposition admissible en mode d'épuration d'air pour les masques soumis à un essai d'ajustement qualitatif, ou à 50 fois en mode d'épuration d'air pour les masques soumis à un essai d'ajustement quantitatif, ou à 1 000 fois en mode d'épuration d'air propulsé ou en mode à adduction d'air, ou aux limites énoncées dans les normes spécifiques de l'OSHA ou aux règlements gouvernementaux applicables, selon la valeur la moins élevée.
3. Ne pas modifier ni utiliser ce respirateur de façon abusive ou incorrecte.
4. Ne pas utiliser si on porte la barbe ou des poils faciaux, ou si on présente toute autre condition susceptible d'empêcher un contact direct entre le joint facial du masque et le visage.

Durée maximale d'utilisation

1. Les cartouches et les filtres doivent être utilisés avant la date d'expiration indiquée sur l'emballage.
2. Remplacer les filtres contre les particules s'ils sont endommagés, encrassés ou si la respiration devient difficile. Ne pas utiliser les filtres de Série N en présence d'huile. Utiliser les filtres de Série R en présence d'aérosols à base d'huile pendant un maximum de 8 heures d'utilisation continue ou intermittente. Si l'on utilise les filtres dans un milieu qui contient uniquement des aérosols à base d'huile, les mettre au rebut après 40 heures d'utilisation ou après 30 jours, selon la première éventualité.
3. La durée utile des cartouches contre les gaz/vapeurs dépendra du degré d'activité de l'utilisateur (fréquence respiratoire), du contaminant particulier et de la concentration et des conditions ambiantes comme l'humidité, la pression et la température. Remplacer les cartouches selon un indicateur de fin de durée utile, un programme de remplacement préétabli ou plus tôt si on décèle un goût ou une odeur de contaminant, ou si une irritation se manifeste. Veuillez consulter le logiciel de durée utile 3M à l'adresse www.3M.com/sls.
4. Les cartouches contre les vapeurs de mercure 6007 et 60927 doivent être mises au rebut après 50 heures d'utilisation contre les vapeurs de mercure; selon leur durée utile contre les vapeurs organiques, le chlore, le sulfure d'hydrogène ou le dioxyde de soufre ou lorsque des odeurs de vapeurs ou de gaz deviennent perceptibles, selon la première éventualité. Les vapeurs de mercure sont inodores.

Avertissements et restrictions du NIOSH

Les restrictions ci-dessous peuvent s'appliquer. Consulter l'étiquette d'homologation du NIOSH.

A - Ne pas utiliser lorsque la concentration ambiante en oxygène est inférieure à 19,5%.

B - Ne pas utiliser si l'atmosphère présente un danger immédiat pour la vie ou la santé.

C - Ne pas utiliser en présence de concentrations supérieures au taux établi par la réglementation.

D - Les respirateurs à adduction d'air peuvent être utilisés uniquement s'ils sont alimentés avec de l'air respirable de qualité égale ou supérieure à celle qui est exigée par la norme G-7.1 de la CGA pour l'air de catégorie D..

E - N'utiliser que les valeurs de pression et les longueurs de tuyau prescrites dans les *directives d'utilisation*.

F - Ne pas utiliser de respirateurs d'épuration d'air propulsé si le débit d'air est inférieur à 115 l/min (4 pi³/min) en ce qui a trait aux masques à ajustement serré ou à 170 l/min (6 pi³/min) en ce qui a trait aux cagoules et/ou aux casques

G - Si le débit d'air s'arrête, régler le respirateur en mode filtre et/ou cartouche ou boîtier filtrant et quitter immédiatement la zone contaminée

H - Pour s'assurer de remplacer les cartouches et les boîtiers filtrants avant leur bris, suivre un horaire de remplacement établi des cartouches et des boîtiers filtrants ou respecter l'indicateur de fin de durée utile.

J - L'utilisation et l'entretien inadéquats de ce produit peuvent provoquer des blessures ou la mort.

L - Pour le changement des cartouches, des boîtiers filtrants et/ou des filtres, suivre les *directives d'utilisation* du fabricant

M - Tous les respirateurs homologués doivent être sélectionnés, ajustés, portés et entretenus conformément aux règlements de la MSHA, de l'OSHA et à tout autre règlement en vigueur

N - Ne jamais substituer ou modifier ce produit, ni lui ajouter ou lui enlever des pièces. N'utiliser que les pièces de rechange exactes déterminées par le fabricant.

O - Consulter les *directives d'utilisation* et/ou les manuels d'entretien pour obtenir des renseignements sur l'utilisation et l'entretien de ces respirateurs

S - Des *directives d'utilisation* spéciales ou d'importance capitale et/ou des restrictions d'utilisation spécifiques s'appliquent. Consulter les *directives d'utilisation* avant la mise en place de ce produit.

S – Directives d'utilisation spéciales ou d'importance capitale

Les Cartouches contre les vapeurs organiques 3M^{MC} (6001i et 60921i) sont dotées d'un Indicateur de fin de durée utile 3M^{MC} (IFDU) passif. L'indicateur doit être facilement visible par celui qui porte le respirateur. Si on ne peut pas voir facilement l'IFDU, utiliser un miroir pour l'observer ou se fier à un collègue qui peut le voir, ou aller dans un endroit propre, retirer le respirateur et observer l'IFDU. Ne pas se fier uniquement à l'IFDU de la cartouche contre les vapeurs organiques à moins que l'employeur ait déterminé qu'il convient au milieu de travail. Consulter les Directives d'utilisation des cartouches 6001i ou 60921i pour obtenir de plus amples renseignements, y compris des directives spéciales concernant l'IFDU.

Les Cartouches contre les vapeurs de mercure, les vapeurs organiques et les gaz acides 3M^{MC} (6007 et 60927) doivent être mises au rebut après 50 heures d'utilisation contre les vapeurs de mercure.

Le Filtre P95 contre les particules, le fluorure d'hydrogène avec protection contre les concentrations nuisibles de gaz acides 2076HF 3M^{MC} et le Filtre P100 contre les particules, le fluorure d'hydrogène avec protection contre les concentrations nuisibles de gaz acides 7093C 3M^{MC} sont recommandés pour la protection contre les concentrations nuisibles de gaz acides ou de vapeurs organiques. Par concentrations nuisibles, on entend les concentrations inférieures à la limite d'exposition admissible de l'OSHA ou à la limite d'exposition en milieu de travail établie par le gouvernement, selon la valeur la moins élevée. Ne pas utiliser pour la protection respiratoire contre les gaz acides ou les vapeurs organiques, sauf le fluorure d'hydrogène.

Replacer les soupapes d'inhalation dans le masque avant chaque utilisation si on utilise le masque en mode d'épuration d'air (sans tuyau de respiration SA-1600 ou SA-2600 3M^{MC}).

Utiliser l'ensemble coquille nasale 6894 3M^{MC} avec les masques complets 3M^{MC} de série 6000DIN conformément à l'homologation du NIOSH accordée au système utilisé.

- Ne pas utiliser la coquille nasale avec le respirateur d'épuration d'air propulsé pour masque Powerflow^{MC}.
- La coquille nasale est facultative avec les respirateurs d'épuration d'air propulsé montés à la ceinture GVP et Breathe Easy^{MC} 3M^{MC}.
- Utiliser la coquille nasale avec tous les autres respirateurs dotés de masques 6000DIN.

Consulter les *directives d'utilisation* du produit 3M en question pour obtenir de plus amples renseignements.

Sélection et homologations des cartouches et des filtres

Avant d'utiliser l'un de ces produits, l'utilisateur doit lire les directives et restrictions d'utilisation ainsi que les mises en garde fournies aux présentes ou sur l'emballage des produits ou communiquer avec le Service technique de 3M au 1 800 243-4630. Au Canada, communiquer avec le Service technique au 1 800 267-4414. Ne pas utiliser en présence de concentrations supérieures au taux établi par les organismes de réglementation locaux. Les cartouches/filtres sont homologués en tant qu'ensembles pour une utilisation avec les masques complets 3M^{MC} de série 6000. Pour l'homologation NIOSH, consulter l'étiquette d'homologation du NIOSH.

LISTE DES PRODUITS

Tableau 1 : Pièces de rechange et accessoires pour masque complet 3M^{MC} de série 6000 Masque complet avec adaptateur pour orifice DIN 6884 3M^{MC}

Numéro		****Division du marché après-vente pour l'automobile	Description
6700		07138	Petit
6800		07139	Moyen
6900		07140	Grand
1	6884		Ensemble adaptateur pour orifice DIN
1A	6882		Couvercle d'orifice DIN
1B	6876		Joint d'étanchéité pour tuyau de respiration
1C	6889		Soupape d'exhalation
1D	6883		Base de l'orifice DIN
1E	6896		Joint d'étanchéité d'adaptateur central
1F	6881		Déфлекteur d'air DIN
1G	7890		Obturateur pour masque complet (accessoire non compris dans l'ensemble 6884)
2	6880		Capuchon à baïonnette
3	6895	07145	Joint d'étanchéité de soupape d'inhalation
4	6893	07144	Soupape d'inhalation
5	6898	37006	Ensemble lentille
6	6894	37004	Ensemble coquille nasale
7	6899	37007	Ensemble cadre avec vis
8	6897	37005	Ensemble harnais de tête

******Les numéros de produits de la Division du marché après-vente pour l'automobile ne sont que des numéros de référence. Homologués par le NIOSH avec les numéros de produits de la Division des produits de protection individuelle.**

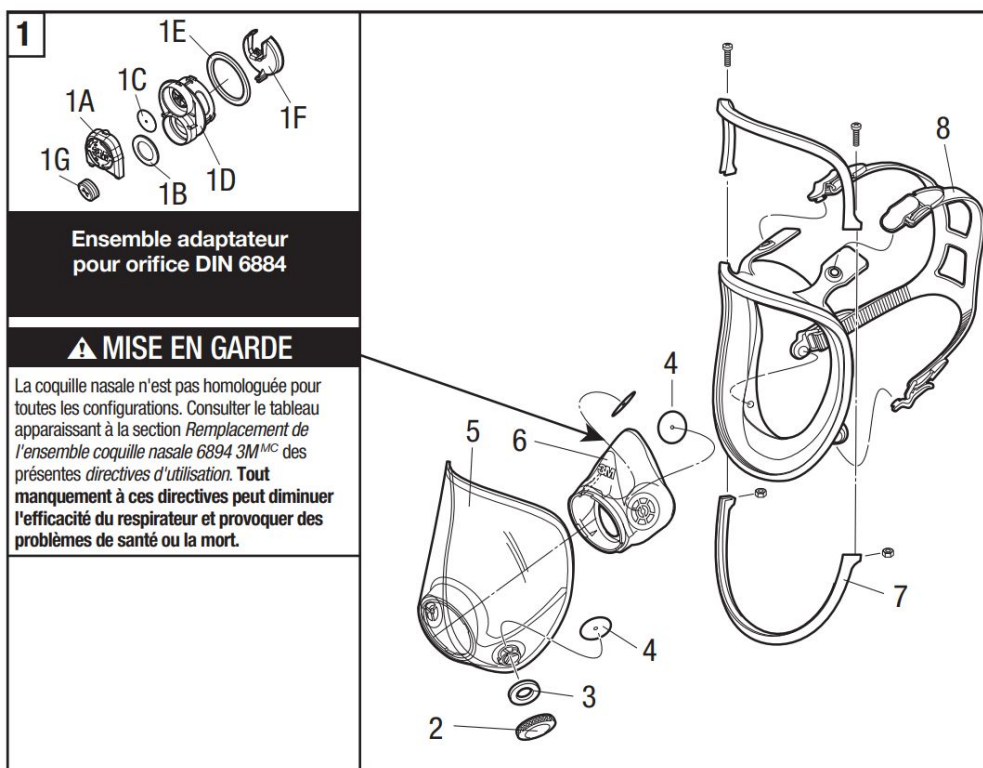


Tableau 2 : Accessoires et pièces 3M^{MC}

Numéro	****Division du marché après-vente pour l'automobile	Description
504	07065	Chiffons de nettoyage pour respirateurs
601		Adaptateur pour essai d'ajustement quantitatif
6878	07141	Trousse pour lunettes
102		Trousse pour lunettes universelles 102
6885	07142	Protège-lentille
6886		Protège-lentille teinté
7883		Ensemble courroie de cou

******Les numéros de produits de la Division du marché après-vente pour l'automobile ne sont que des numéros de référence. Homologués par le NIOSH avec les numéros de produits de la Division des produits de protection individuelle.**

⚠ MISE EN GARDE

Le fait de ne pas mettre convenablement au rebut les cartouches, les filtres et les respirateurs usés et contaminés par des substances dangereuses peut entraîner une exposition personnelle et des dommages environnementaux. La manipulation, le transport et la mise au rebut des cartouches, des filtres et des respirateurs usés doivent être conformes à tous les règlements et lois fédéraux, d'état, provinciaux et municipaux applicables.

CARTOUCHES 3M^{MC}

Tableau 3 : Cartouche et boîtier filtrant 3M^{MC} pour intervenants (montés à l'avant)

Numéro	Description	
450-02-11R06	Boîtier filtrant CP3N	Chloroacétophénone alpha (CN) et orthochlorobenzal malononitrile (CS); filtre P100
FR-64	Cartouche	Vapeur organique, chlore, chlorure d'hydrogène, dioxyde de chlore, dioxyde de soufre, ammoniac, méthylamine, formaldéhyde, fluorure d'hydrogène, sulfure d'hydrogène, chloroacétophénone alpha (CN) et orthochlorobenzal malononitrile (CS) ou phosphine et filtre P100

REMARQUE : On trouvera des renseignements importants dans les *directives d'utilisation* des cartouches et des boîtiers filtrants 3M^{MC} pour intervenants. Il faut les comprendre avant d'utiliser le respirateur.

Tableau 4 : Cartouches 3M^{MC} de série 6000 (montées sur les côtés)

Numéro	**** Division du marché après-vente pour l'automobile	Description	Homologation du NIOSH pour la protection respiratoire contre les concentrations de contaminants suivants atteignant jusqu'à 10 fois la limite d'exposition admissible lorsque le respirateur est soumis à un essai d'ajustement qualitatif, jusqu'à 50 fois la limite d'exposition admissible lorsque le respirateur est soumis à un essai d'ajustement quantitatif et jusqu'à 1 000 fois la limite d'exposition admissible en mode d'épuration d'air propulsé ou d'adduction d'air
6001	07046	Cartouche contre les vapeurs organiques	Certaines vapeurs organiques
6001i		Cartouche contre les vapeurs organiques avec indicateur de durée utile	Certaines vapeurs organiques
6002		Cartouche contre les gaz acides	Chlore, chlorure d'hydrogène et dioxyde de soufre ou dioxyde de chlore ou sulfure d'hydrogène
6003	07047	Cartouche contre les vapeurs organiques et les gaz acides	Certaines vapeurs organiques, chlore, chlorure d'hydrogène et dioxyde de soufre ou sulfure d'hydrogène ou fluorure d'hydrogène
6004		Cartouche contre l'ammoniac et la méthylamine	Ammoniac et méthylamine
6005		Cartouche contre le formaldéhyde et les vapeurs organiques	Formaldéhyde et certaines vapeurs organiques
6006		Cartouche contre les gaz multiples et les vapeurs organiques	Certaines vapeurs organiques, chlore, chlorure d'hydrogène, dioxyde de chlore, dioxyde de soufre, sulfure d'hydrogène, ammoniac et méthylamine, formaldéhyde ou fluorure d'hydrogène
6007		Vapeur de mercure/vapeur organique/gaz acide	Vapeur de mercure, certaines vapeurs organiques, dioxyde de soufre, sulfure d'hydrogène ou chlore
60921		Cartouche contre les vapeurs organiques avec filtre P100	Certaines vapeurs organiques et particules
60921i		Cartouche contre les vapeurs organiques avec filtre P100 et indicateur de durée utile	Certaines vapeurs organiques et particules
60922		Cartouche contre les gaz acides avec filtre P100	Chlore, chlorure d'hydrogène et dioxyde de soufre ou dioxyde de chlore ou sulfure d'hydrogène et particules
60923		Cartouche contre les vapeurs organiques et les gaz acides avec filtre P100	Certaines vapeurs organiques, chlore, chlorure d'hydrogène et dioxyde de soufre ou sulfure d'hydrogène ou fluorure d'hydrogène et particules
60924		Cartouche contre l'ammoniac et la méthylamine avec filtre P100	Ammoniac, méthylamine et particules
60925		Cartouche contre le formaldéhyde et les vapeurs organiques avec filtre P100	Formaldéhyde, certaines vapeurs organiques et particules
60926		Cartouche contre les gaz multiples et les vapeurs organiques avec filtre P100	Certaines vapeurs organiques, chlore, chlorure d'hydrogène, dioxyde de chlore, dioxyde de soufre, sulfure d'hydrogène, ammoniac et méthylamine, formaldéhyde ou fluorure d'hydrogène et particules
60927		Vapeurs de mercure/vapeurs organiques/gaz acides/avec filtre P100	Vapeur de mercure, certaines vapeurs organiques, dioxyde de soufre, sulfure d'hydrogène ou chlore et particules
60928		Cartouche contre les vapeurs organiques et les gaz acides avec filtre P100	Certaines vapeurs organiques, chlore, chlorure d'hydrogène et dioxyde de soufre ou sulfure d'hydrogène ou fluorure d'hydrogène et particules. ¹

******Les numéros de produits de la Division du marché après-vente pour l'automobile ne sont que des numéros de référence. Homologués par le NIOSH avec les numéros de produits de la Division des produits de protection individuelle**

¹Recommandée par 3M pour la protection contre les concentrations d'au plus 5 ppm de bromométhane ou d'iode radioactif avec un remplacement quotidien de la cartouche. **REMARQUE : N'est pas homologuée par le NIOSH pour la protection contre le bromométhane ou l'iode radioactif.**

Tableau 5 : Filtres (montés sur les côtés), adaptateurs et dispositifs de retenue 3M^{MC}

Numéro	**** Division du marché après-vente pour l'automobile	Description
501	07054	Dispositif de retenue pour filtres 5N11 et 5P71
502		Adaptateur pour filtres de série 2000 et filtres 7093/7093C
2071		Filtre P95 contre les particules
2076HF		Filtre P95 contre les particules et le fluorure d'hydrogène avec protection contre les concentrations nuisibles de gaz acides ¹
2078		Filtre P95 3M contre les particules, protection recommandée par 3M contre l'ozone ² , avec protection contre les concentrations nuisibles de vapeurs organiques et de gaz acides ¹
2091	07000	Filtre P100 contre les particules
2291		Filtre de pointe P100 contre les particules
2096		Filtre P100 contre les particules, avec protection contre les concentrations nuisibles de gaz acides ¹
2296		Filtre de pointe P100 contre les particules, avec protection contre les concentrations nuisibles de gaz acides ¹
2097	07184	Filtre P100 contre les particules, protection recommandée par 3M contre l'ozone ² , avec protection contre les concentrations nuisibles de vapeurs organiques ¹
2297		Filtre de pointe P100 contre les particules, protection recommandée par 3M contre l'ozone ² , avec protection contre les concentrations nuisibles de vapeurs organiques ¹
5N11		Filtre N95 contre les particules
5P71	07194	Filtre P95 contre les particules
7093		Filtre P100 contre les particules
7093C	37173	Filtre P100 contre les particules et le fluorure d'hydrogène, avec protection contre les concentrations nuisibles de vapeurs organiques et de gaz acides ¹

****** Les numéros de produits de la Division du marché après-vente pour l'automobile ne sont que des numéros de référence. Homologués par le NIOSH avec les numéros de produits de la Division des produits de protection individuelle**

¹Recommandé par 3M pour la protection contre les concentrations nuisibles de gaz acides ou de vapeurs organiques. Par concentrations nuisibles on entend les concentrations inférieures à la limite d'exposition admissible de l'OSHA ou à la limite d'exposition applicable, selon la valeur la moins élevée. Ne pas utiliser pour la protection respiratoire contre les gaz acides ou les vapeurs organiques.

²Recommandé par 3M pour une protection contre les concentrations d'ozone d'au plus 10 fois la limite d'exposition admissible de l'OSHA ou la limite d'exposition en milieu de travail établie par le gouvernement, selon la valeur la moins élevée. **REMARQUE : N'est pas homologuée par le NIOSH pour la protection contre l'ozone.**

Directives de montage

Tous les masques complets 3M^{MC} de série 6000 munis de l'adaptateur pour orifice DIN 6884 (ensembles masques complets 6700DIN, 6800DIN et 6900DIN) peuvent être utilisés dans l'une des configurations suivantes :

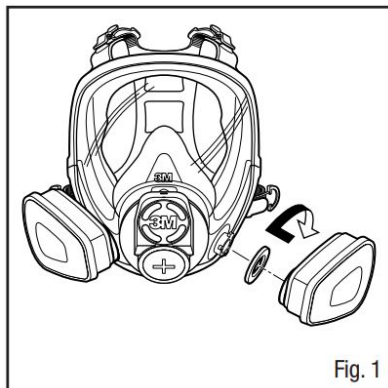
- Respirateur d'épuration d'air propulsé :
 - Respirateur d'épuration d'air propulsé monté à la ceinture GVP 3M^{MC} avec tuyau de respiration GVP-123 3M^{MC}
 - Respirateur d'épuration d'air propulsé pour masque Powerflow^{MC} 3M^{MC}
 - Respirateur d'épuration d'air propulsé monté à la ceinture Breathe Easy^{MC} 3M^{MC} avec tuyau de respiration 520-01-77 3M^{MC}
- Respirateur à adduction d'air :
 - Respirateur à deux arrivées d'air 3M^{MC}
 - Dispositifs de régulation d'air 3M^{MC} – débit continu (à l'exception de la trousse de régulation d'air W-3196 et des options en acier inoxydable)
- Pression négative :
 - Cartouche pour intervenants FR-64 3M^{MC} et boîtier filtrant CP3N 3M^{MC} (montés à l'avant)
 - Filtres 7093/7093C et de série 2000 et cartouches 3M^{MC} de série 6000 (montés sur le côté)

Lorsque le système d'alimentation/de filtration d'air, incluant les boîtiers filtrants et les cartouches pour premiers intervenants, est relié à l'orifice DIN central de l'ensemble adaptateur pour orifice DIN 6884, retirer l'obturateur pour masque complet 7890 3M^{MC} de l'orifice central et fermer les deux orifices du dispositif de verrouillage à l'aide de capuchons du dispositif de verrouillage 6880 et de joints d'étanchéité d'orifice d'inhalation 6895.

REMARQUE : S'assurer que les joints d'étanchéité de l'orifice d'inhalation 6895 3M^{MC} sont en place sur les connecteurs à baïonnette du masque avant d'installer les filtres, les cartouches ou les tuyaux de respiration.

Cartouche de Série 6000, Filtre 7093 et Cartouche/filtre 7093C 3M^{MC}

1. Aligner l'encoche de la cartouche avec la patte rigide du raccord à baïonnette du masque et les enclencher en poussant.
2. Tourner la cartouche de un quart de tour dans le sens des aiguilles d'une montre jusqu'à ce qu'elle s'arrête.
3. Répéter avec la seconde cartouche (Fig. 1).
4. S'assurer qu'un joint d'étanchéité de tuyau de respiration 6876 (gris) et que l'obturateur 7890 sont installés dans l'orifice DIN central.



Filtres 3M^{MC} de Série 2000

1. Aligner l'ouverture du filtre avec le dispositif de fixation du filtre situé sur le masque.
2. Tourner le filtre de un quart de tour dans le sens des aiguilles d'une montre jusqu'à ce qu'il soit bien inséré et qu'il ne puisse tourner davantage.
3. Répéter avec le second filtre (Fig. 2).
4. Vérifier si un joint d'étanchéité de tuyau de respiration 6876 (gris) et un obturateur 7890 ont été installés dans l'orifice DIN central.

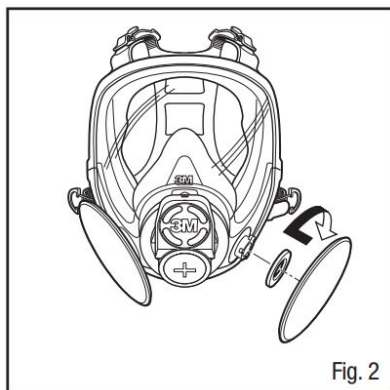
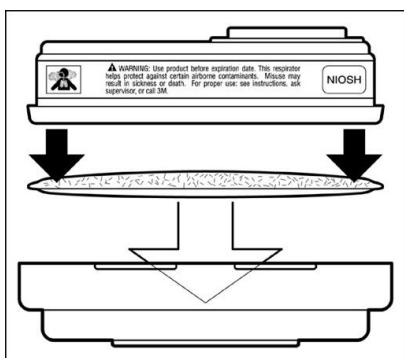


Fig. 2

Filtres 5N11 et 5P71 3M^{MC}

1. Placer le filtre dans le dispositif de retenue 501 3M^{MC}, côté imprimé face à la cartouche.
2. Enfoncer la cartouche dans le dispositif de retenue de filtre. Elle devrait s'enclencher fermement dans le dispositif de retenue de filtre. Une fois correctement installé, le filtre couvre entièrement la face de la cartouche (Fig. 3).
3. Pour remplacer le filtre, retirer le dispositif de retenue en soulevant la LANGUETTE.

Fig. 3



Montage de l'adaptateur pour filtre 502 3M^{MC} et fixation du filtre

1. Aligner l'adaptateur sur la cartouche. Enclencher l'encoche avant en appuyant l'avant de la cartouche contre l'adaptateur, en plaçant les pouces sur le dessus de l'adaptateur et les doigts sous la cartouche (Fig. 4).
2. Enclencher l'encoche arrière de la même manière, en appuyant l'arrière de la cartouche contre l'adaptateur en plaçant les pouces et les doigts de la même manière. Un déclic se fait entendre lorsque chaque encoche est enclenchée (Fig. 5).
3. Insérer le filtre dans son dispositif de retenue de manière qu'il soit en contact uniforme avec le joint d'étanchéité. Faire tourner le filtre de un quart de tour dans le sens des aiguilles d'une montre jusqu'à ce qu'il soit bien inséré et qu'il ne puisse tourner davantage. Répéter avec le second filtre.

REMARQUE : Une fois installé sur une cartouche 3M^{MC} de série 6000, l'adaptateur pour filtre 502 3M^{MC} ne doit pas être enlevé ni réutilisé. Le retrait ou la réutilisation de l'ensemble adaptateur peut entraîner des fuites, une surexposition, des problèmes de santé ou la mort.

Fig. 4



Fig. 5



Systèmes à adduction d'air 3M^{MC}

AVERTISSEMENT

Pour être conforme aux exigences du National Institute for Occupational Safety and Health (NIOSH) des É.-U. en matière de débit d'air minimal (115 l/min [4 pi³/min]) et maximal (424 l/min [15 pi³/min]), les soupapes de régulation d'air des respirateurs à masque complet 3MMC de série 6000 doivent être utilisées en respectant les gammes de pression d'alimentation et les longueurs de tuyaux adéquates. **Tout manquement à ces directives peut provoquer des problèmes de santé ou la mort.**

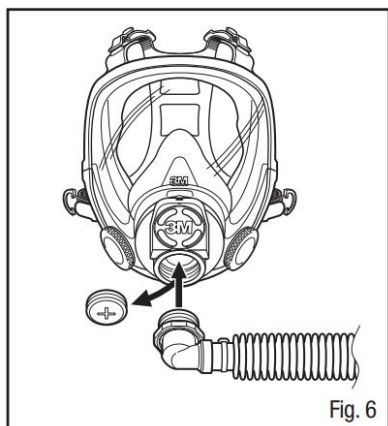
AVERTISSEMENT

L'employeur doit assurer une alimentation en air comprimé respirable répondant au moins aux exigences relatives à l'air respirable de catégorie D, selon la norme G-7.1-1997 de la Compressed Gas Association aux États-Unis. Au Canada, consulter le tableau de la norme Z180.1 de la CSA régissant la qualité de l'air comprimé respirable. **Tout manquement à ces directives peut provoquer des problèmes de santé ou la mort.**

DISPOSITIFS DE RÉGULATION D'AIR 3M^{MC} – DÉBIT CONTINU

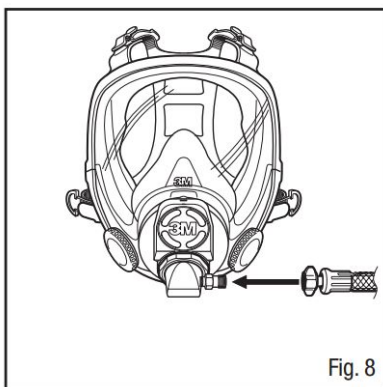
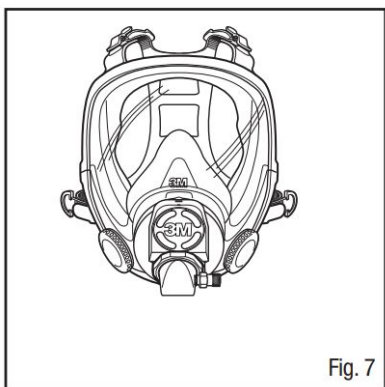
Ensemble tuyau de respiration W-3264 3M^{MC}

1. Retirer l'obturateur pour masque complet 7890 3M^{MC} et visser le tuyau de respiration dans l'orifice central (Fig. 6).
2. Raccorder l'autre extrémité du tuyau de respiration à la soupape de régulation d'air.
3. Vérifier la solidité de tous les raccords avant chaque utilisation. Consulter les directives d'utilisation fournies avec les soupapes de régulation d'air pour obtenir de plus amples renseignements.



Ensemble tuyau de respiration W-3188 3M^{MC}

1. Retirer l'obturateur pour masques complets 7890 3M^{MC} et le visser dans l'adaptateur W-3187 3M^{MC} dans l'orifice central (Fig. 7).
2. Raccorder le tuyau de respiration W-3188 3M^{MC} à l'adaptateur (Fig. 8).
3. Raccorder le tuyau de respiration W-3188 3M^{MC} à la soupape de régulation d'air (Fig. 8).
4. S'assurer que tous les raccords sont fermement fixés. Consulter les directives d'utilisation fournies avec les soupapes de régulation d'air pour obtenir de plus amples renseignements.



Montage du respirateur à deux arrivées d'air 3M^{MC}

L'utilisateur doit suivre les directives d'utilisation fournies avec les respirateurs à adduction d'air à deux arrivées d'air 3M^{MC}.

Montage du respirateur combiné à deux arrivées d'air 3M^{MC} avec cartouches et/ou filtres

Les versions SA-1600 (monté à l'avant) et SA-2600 (monté à l'arrière) 3M^{MC} des tuyaux de respiration à deux arrivées d'air permettent l'utilisation de certaines cartouches 3M^{MC} de série 6000 et de certains filtres 3M^{MC} de série 2000 homologués par le NIOSH. Pour obtenir la liste des cartouches et des filtres homologués, consulter l'étiquette d'homologation du NIOSH comprise dans les trousse d'adaptateur à deux arrivées d'air 3M^{MC}.

Retirer le masque et les soupapes d'inhalation avant d'effectuer le montage des filtres et des cartouches 3M^{MC} sur les tuyaux de respiration combinés à deux arrivées d'air 3M^{MC}.

IMPORTANT : Replacer les soupapes d'inhalation dans le masque avant chaque utilisation si on utilise le masque en mode d'épuration d'air (sans tuyau de respiration SA-1600 ou SA-2600).

Utilisation des tuyaux de respiration combinés à deux arrivées d'air 3M^{MC} sans cartouches ni filtres

Pour utiliser les Tuyaux de respiration à deux arrivées d'air SA-1600 et SA-2600 3M^{MC} sans les cartouches ou les filtres, fixer un Capuchon à baïonnette 6880 3M^{MC} à chacun des supports du dispositif extérieurs sur le tuyau de respiration. Lorsque le masque

complet est utilisé comme respirateur à adduction d'air à débit continu de type C, son facteur de protection caractéristique est de 1000 fois la limite d'exposition admissible ou une autre limite d'exposition en milieu de travail.

 **AVERTISSEMENT**

Le respirateur à deux arrivées d'air 3M^{MC} est homologué par le NIOSH uniquement s'il est muni de la coquille nasale 6894 3MMC. **Tout manquement à ces directives peut provoquer des problèmes de santé ou la mort.**

Montage des cartouches et des boîtiers filtrants pour intervenants 3M^{MC}

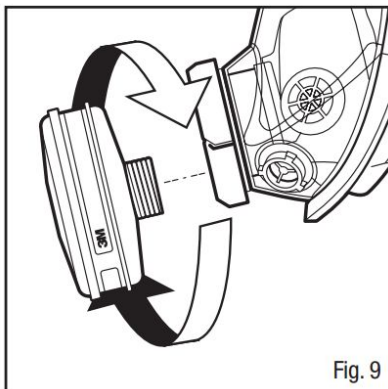
 **AVERTISSEMENT**

Le boîtier filtrant C3PN et la cartouche FR-64 3M^{MC} sont homologués par le NIOSH uniquement s'ils sont utilisés avec l'ensemble coquille nasale 6894. **Tout manquement à ces directives peut provoquer des problèmes de santé ou la mort.**

 **AVERTISSEMENT**

Un serrage excessif risque d'endommager le boîtier et/ou le joint d'étanchéité de l'adaptateur pour orifice DIN et de laisser pénétrer de l'air non filtré dans le masque, ce qui **peut provoquer des problèmes de santé ou la mort.**

D'importantes *directives sur l'utilisation* adéquate et sur les restrictions d'utilisation sont comprises avec le boîtier filtrant CP3N et la cartouche FR-64. Fermer les deux orifices à baïonnette sur la lentille au moyen des capuchons à baïonnette 6880 et des joints d'étanchéité d'orifice d'inhalation 6895. Avant d'installer le boîtier filtrant, vérifier que le joint d'étanchéité du tuyau de respiration 6876 est en place et en bon état. Visser le boîtier filtrant ou la cartouche pour intervenants dans l'adaptateur pour orifice DIN et serrer manuellement en exerçant une pression modérée (Fig. 9).



Montage de l'ensemble respirateur d'épuration d'air propulsé gvp 3M^{MC}

Visser l'adaptateur coudé du tuyau de respiration GVP-123 3M^{MC} dans l'orifice central de l'ensemble adaptateur 6884. L'utilisateur doit suivre les directives d'utilisation fournies avec l'ensemble respirateur d'épuration d'air propulsé monté à la ceinture GVP.

Montage de l'ensemble respirateur d'épuration d'air propulsé turbo Breathe Easy^{MC} 3M^{MC}

Visser l'adaptateur fileté du tuyau de respiration 520-01-77 3M^{MC} dans l'orifice central de l'ensemble adaptateur pour orifice DIN 6884. L'utilisateur doit suivre les directives d'utilisation fournies avec l'ensemble respirateur d'épuration d'air propulsé turbo Breathe Easy^{MC} 3M^{MC}.

Montage du respirateur d'épuration d'air propulsé Powerflow^{MC} 3M^{MC}

L'utilisateur doit suivre les *directives d'utilisation* fournies avec le respirateur d'épuration d'air propulsé Powerflow^{MC}.

AVERTISSEMENT



L'utilisation des respirateurs d'épuration d'air propulsé Powerflow^{MC} 3M^{MC} avec une coquille nasale n'est pas homologuée par le NIOSH. L'utilisation d'une coquille nasale **peut provoquer des problèmes de santé ou la mort.**

AVERTISSEMENT

Vérifier la connexion entre le respirateur d'épuration d'air propulsé Powerflow^{MC} 3M^{MC} et le masque complet 6000DIN 3M^{MC} chaque fois qu'on monte l'appareil ou qu'on le fait pivoter. Cette vérification doit se faire à l'extérieur du milieu contaminé. Pénétrer dans une zone contaminée alors que la connexion entre le respirateur d'épuration d'air propulsé et le masque est lâche **peut provoquer des problèmes de santé ou la mort.**

DIRECTIVES D'AJUSTEMENT

Suivre les directives d'ajustement chaque fois que l'on utilise le respirateur.

REMARQUE : Ne pas utiliser si on porte la barbe ou des poils faciaux, ou si on présente toute autre condition susceptible d'empêcher un contact direct entre le joint facial du masque et le visage. On ne peut porter de lunettes ordinaires avec les respirateurs à masque complet. Si des lunettes correctrices sont nécessaires, un ensemble lunettes 3M^{MC} doit être utilisé à l'intérieur des appareils de protection respiratoire. Pour obtenir une bonne étanchéité entre le visage et le joint facial, celui-ci ne doit jamais être obstrué par des poils, une cagoule ou tout autre objet, en tout temps.

Mise en place du respirateur

1. Desserrer complètement les quatre courroies de tête. D'une main, retenir les cheveux vers l'arrière pour dégager la zone du joint facial. Placer le menton dans la mentonnière du respirateur. Tenir le masque en place et tirer le harnais de tête vers l'arrière de la tête (Fig. 10).
2. Tirer les extrémités des quatre courroies pour régler l'ajustement, en commençant avec les courroies de cou puis continuer avec les courroies frontales. Ne pas trop serrer les courroies (Fig. 11).
3. Effectuer une vérification de l'ajustement par pression positive et/ou négative avant chaque utilisation du respirateur.

Fig. 10



Fig. 11

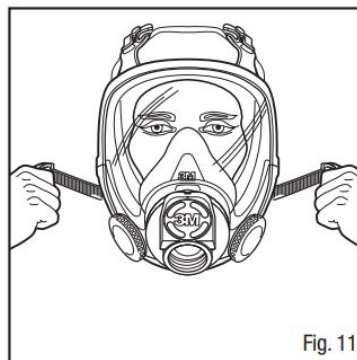
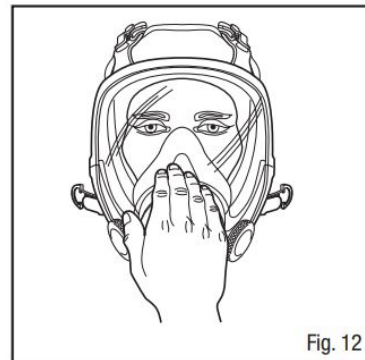


Fig. 12



VÉRIFICATION DE L'AJUSTEMENT

Toujours effectuer une vérification de l'ajustement du respirateur avant de pénétrer dans une zone contaminée.

Vérification de l'ajustement par pression positive

1. Retirer le tuyau de respiration, l'ensemble respirateur d'épuration d'air propulsé Powerflow^{MC} 3M^{MC} ou la cartouche ou le boîtier filtrant de l'orifice DIN central, au besoin.
2. Placer la paume de la main sur le couvercle de la soupape d'exhalation et de l'orifice DIN central et expirer doucement. Si le masque gonfle légèrement et qu'on ne détecte aucune fuite d'air entre le visage et le masque, l'ajustement est bon (Fig. 12).
3. Si on décèle une fuite d'air, replacer le respirateur sur le visage et/ou rajuster la tension des courroies afin d'éliminer les fuites et vérifier de nouveau l'ajustement.

Si on ne peut obtenir un ajustement parfaitement étanche, NE PAS pénétrer dans la zone contaminée. Consulter son superviseur.

Vérification de l'ajustement par pression négative avec un respirateur d'épuration d'air propulsé Powerflow^{MC} 3M^{MC} et un boîtier filtrant ou une cartouche pour intervenants

1. Placer les paumes de la main sur l'admission d'air de la cartouche ou du boîtier filtrant.
2. Inhaler doucement. Si le masque s'affaisse légèrement, qu'il se resserre sur le visage et qu'on ne détecte aucune fuite d'air entre le visage et celui-ci, l'ajustement est bon.
3. Si on décèle une fuite d'air, replacer le respirateur sur le visage et/ou rajuster la tension des courroies afin d'éliminer les fuites et vérifier de nouveau l'ajustement.

Si on ne peut obtenir un ajustement parfaitement étanche, NE PAS pénétrer dans la zone contaminée. Consulter son superviseur.

Vérification de l'ajustement par pression négative avec les respirateurs d'épuration d'air propulsé GVP et Breathe Easy^{MC} 3M^{MC}

1. Placer la paume de la main sur l'orifice du tuyau de respiration (Fig. 12).
2. Inhaler doucement. Si le masque s'affaisse légèrement, qu'il se resserre sur le visage et qu'on ne détecte aucune fuite d'air entre le visage et celui-ci, l'ajustement est bon.
3. Si on décèle une fuite d'air, replacer le respirateur sur le visage et/ou rajuster la tension des courroies afin d'éliminer les fuites et vérifier de nouveau l'ajustement.

Si on ne peut obtenir un ajustement parfaitement étanche, NE PAS pénétrer dans la zone contaminée. Consulter son superviseur.

Fig. 13

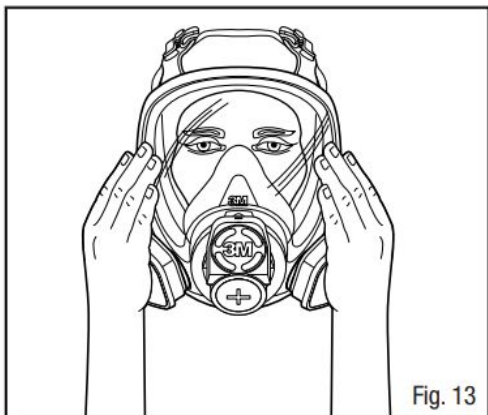
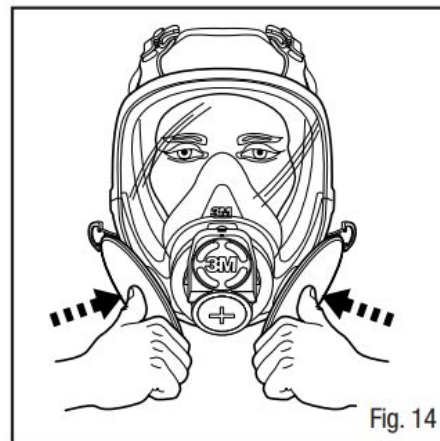


Fig. 14



Vérification de l'ajustement par pression négative avec les cartouches de série 6000 (montées sur le côtés)

1. Placer les paumes de la main sur la surface de la cartouche ou sur la zone ouverte du dispositif de retenue de filtre 501 3M^{MC} et inhaler doucement. Si le masque s'affaisse légèrement, qu'il se resserre sur le visage et qu'on ne détecte aucune fuite d'air entre le visage et le masque, l'ajustement est bon (Fig. 13).

2. Si on décèle une fuite d'air, replacer le respirateur sur le visage et/ou rajuster la tension des courroies élastiques afin d'éliminer les fuites et reprendre la vérification.

Si on ne peut obtenir un ajustement parfaitement étanche, NE PAS pénétrer dans la zone contaminée. Consulter son superviseur.

REMARQUE : L'utilisation du dispositif de retenue de filtre 501 3M^{MC} peut faciliter l'exécution de la vérification de l'ajustement par pression négative.

Vérification de l'ajustement par pression négative avec les filtres de série 2000 (montés sur les côtés)

1. Placer les pouces au centre des filtres, réduisant ainsi le débit d'air dans les filtres, et inhaler doucement. Si le masque s'affaisse légèrement, qu'il se resserre sur le visage et qu'on ne détecte aucune fuite d'air entre le visage et le masque, l'ajustement est bon. (Fig. 14)
2. Si on décèle une fuite d'air, replacer le respirateur sur le visage et/ou rajuster la tension des courroies élastiques afin d'éliminer les fuites et reprendre la vérification.

Si on ne peut obtenir un ajustement parfaitement étanche, NE PAS pénétrer dans la zone contaminée. Consulter son superviseur.

Vérification de l'ajustement par pression négative avec les filtres 7093/7093C (montés sur le côtés)

1. Appuyer avec les mains sur les couvercles de filtre en direction du masque et inhaler doucement. Si le masque s'affaisse légèrement, qu'il se resserre sur le visage et qu'on ne détecte aucune fuite d'air entre le visage et le masque, l'ajustement est bon.
2. Si on décèle une fuite d'air, replacer le respirateur sur le visage et/ou rajuster la tension des courroies élastiques afin d'éliminer les fuites et reprendre la vérification.

Si on ne peut obtenir un ajustement parfaitement étanche, NE PAS pénétrer dans la zone contaminée. Consulter son superviseur.

Vérification de l'ajustement par pression négative pour les respirateurs à deux arrivées d'air et à arrivée d'air centrale

1. Débrancher le tuyau d'air comprimé de la soupape de régulation d'air.
2. Avec le tuyau de respiration toujours raccordé à la soupape de régulation d'air, inhaler doucement. Si le masque s'affaisse légèrement, qu'il se resserre sur le visage et que l'on ne détecte aucune fuite d'air entre le visage et le masque, l'ajustement est bon.
3. Pour les systèmes combinés à deux arrivées d'air munis de cartouches ou de filtres, effectuer une vérification de l'ajustement conformément aux directives ci-dessus en fonction de la cartouche ou du filtre approprié utilisé.
4. Si on décèle une fuite d'air, replacer le respirateur sur le visage et/ou rajuster la tension des courroies élastiques afin d'éliminer les fuites et reprendre la vérification.

Si on ne peut obtenir un ajustement parfaitement étanche, NE PAS pénétrer dans la zone contaminée. Consulter son superviseur.

REMARQUE : Effectuer un essai d'ajustement quantitatif ou qualitatif avant de pénétrer dans une zone contaminée, conformément à la norme 29 CFR 1910.134 de l'OSHA ou à la norme Z94.4 de la CSA.

RETRAIT DU RESPIRATEUR

1. Desserrer complètement les quatre courroies de tête en tirant vers le haut sur les boucles.
2. Retirer le respirateur en faisant passer les courroies par-dessus la tête.

ESSAI D'AJUSTEMENT

Un mauvais ajustement du respirateur en diminue l'efficacité. C'est pourquoi on doit effectuer un essai d'ajustement quantitatif ou qualitatif avant d'utiliser le respirateur.

REMARQUE : L'essai d'ajustement est une exigence de l'OSHA des É.-U. et de la norme canadienne Z94.4 de la CSA. C'est pourquoi il est nécessaire d'effectuer un essai d'ajustement quantitatif ou qualitatif avant d'attribuer et d'utiliser le respirateur.

Essai d'ajustement quantitatif

On peut réaliser l'essai d'ajustement quantitatif à l'aide d'un Adaptateur pour essai d'ajustement quantitatif 601 3M^{MC} et de filtres P100, comme les Filtres contre les particules 2091 ou 7093 3M^{MC}.

Essai d'ajustement qualitatif

On peut réaliser l'essai d'ajustement qualitatif à l'aide des Appareils d'essai d'ajustement qualitatif FT-10 ou FT-30 3M^{MC} et de tout filtre contre les particules homologué par le NIOSH.

Les respirateurs doivent également être soumis à un essai d'ajustement avec le matériel de protection individuelle qu'on prévoit porter dans son milieu de travail et qui pourrait affecter l'ajustement du respirateur (p. ex., cagoules, casques durs, lunettes de protection, dispositifs de protection de l'ouïe, etc.).

REMARQUE : Pour obtenir de plus amples renseignements sur les essais d'ajustement, communiquer avec le Service technique de 3M au 1 800 243-4630 ou avec la succursale 3M de sa région. Au Canada, communiquer avec le Service technique de 3M au 1 800 267-4414..

INSPECTION, NETTOYAGE ET ENTREPOSAGE

Méthode d'inspection

Inspecter le respirateur avant chaque utilisation pour s'assurer qu'il est en bon état de marche. Remplacer toute pièce endommagée ou défectueuse avant l'utilisation. Ne pas pénétrer dans une zone contaminée si le respirateur comporte des pièces endommagées ou défectueuses. On recommande la méthode d'inspection ci-dessous

1. S'assurer que le masque ne comporte ni fissures, ni déchirures, ni saletés. S'assurer que le masque, et plus particulièrement le joint d'étanchéité, n'est pas déformé.
2. Examiner les soupapes d'inhalation et s'assurer qu'elles ne comportent pas de déformations, de fissures ou de déchirures.
3. S'assurer que les courroies de tête sont en bon état et qu'elles n'ont pas perdu leur élasticité.
4. Examiner toutes les pièces en matière plastique et vérifier si elles présentent des signes de déchirure ou d'usure. S'assurer que les joints d'étanchéité des filtres sont bien insérés et qu'ils sont en bon état.
5. Retirer le couvercle de la soupape d'exhalation et s'assurer que la soupape d'exhalation et son réceptacle ne comportent pas de saletés et qu'ils ne présentent pas de signe de déchirure, de fissure ou de déformation. Replacer le couvercle de soupape d'exhalation.
6. Examiner la lentille et s'assurer qu'elle est exempte de dommages pouvant diminuer le rendement du respirateur ou la vision de l'utilisateur.

Nettoyage et entreposage

On recommande de nettoyer le respirateur après chaque utilisation.

AVERTISSEMENT

Ne pas nettoyer le respirateur à l'aide de solvants. Le nettoyage du respirateur avec des solvants peut en réduire l'efficacité et endommager certains de ses composants. Inspecter tous les composants du respirateur avant chaque utilisation afin de s'assurer qu'il est en bon état de marche. **Tout manquement à ces directives peut provoquer des problèmes de santé ou la mort.**

-
1. Retirer les cartouches, les filtres et/ou les tuyaux de respiration. On peut également retirer l'adaptateur central, la lentille et le joint facial au besoin.
 2. Nettoyer le masque (à l'exception des cartouches et des filtres) en le plongeant dans une solution de nettoyage tiède et en le frottant à l'aide d'une brosse à soies souples. La température de l'eau ne doit pas dépasser 49°C (120°F). Ajouter un détergent neutre au besoin. Ne pas utiliser de nettoyeurs à base d'huile ou de lanoline.
 3. Désinfecter le masque en le faisant tremper dans une solution désinfectante d'ammonium quaternaire, d'hypochlorite de sodium (30 ml [1 oz] de javellisant domestique dans 7,5 l [2 gallons] d'eau) ou dans un autre désinfectant.
 4. Rincer à l'eau propre et tiède et laisser sécher dans un lieu non contaminé.
 5. Inspecter les composants du respirateur avant chaque utilisation. Réparer ou mettre au rebut les respirateurs dont certaines pièces sont endommagées ou usées.
 6. Entreposer le respirateur propre à l'abri des zones contaminées lorsqu'on ne l'utilise pas.

DIRECTIVES RELATIVES AUX PIÈCES DE RECHANGE

Montage des masques 6700DIN, 6800DIN et 6900DIN 3M^{MC}

Le masque se compose de l'ensemble harnais de tête, de la coquille nasale, de l'adaptateur central, de la lentille, du joint d'étanchéité (petit, moyen et grand) et du cadre (supérieur, inférieur, écrous et vis).

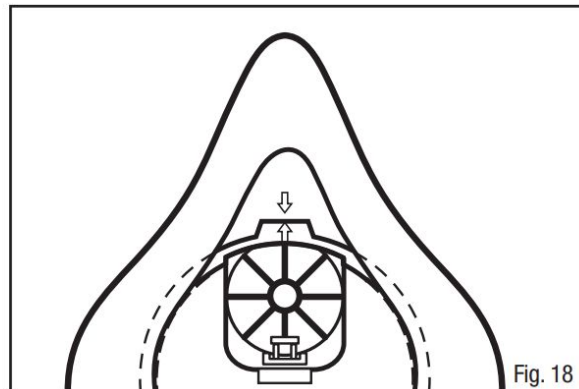
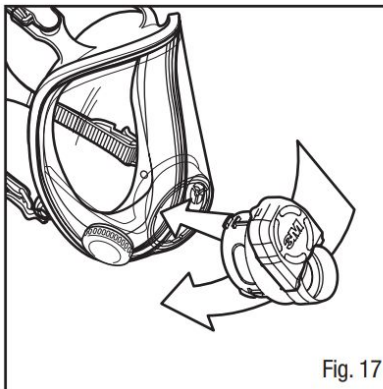
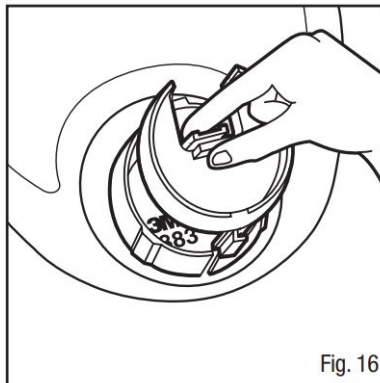
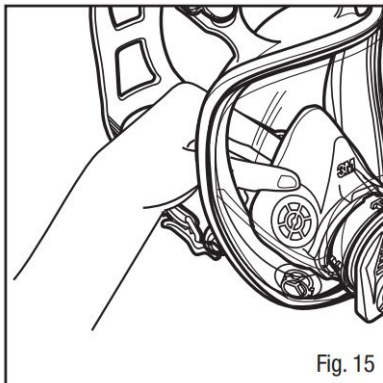
Pour démonter l'ensemble lentille du joint facial, enlever les deux vis cruciformes du cadre supérieur. Puis, éloigner le haut et le bas du cadre du joint facial. Le haut et le bas du cadre, le joint facial et l'ensemble lentille sont marqués de lignes verticales qui indiquent leurs positions réciproques. S'assurer que ces marques sont correctement alignées pour le montage.

Remplacement de l'ensemble adaptateur pour orifice DIN 6884 3M^{MC}

L'ensemble adaptateur pour orifice DIN (adaptateur central) se compose d'une base d'orifice DIN 6883 3M^{MC}, d'un couvercle DIN 6882 3M^{MC}, d'un déflecteur d'air DIN 6881 3M^{MC}, d'une soupape d'exhalation 6889 3M^{MC}, d'un joint d'étanchéité de tuyau de respiration 6876 3M^{MC} et d'un joint d'étanchéité d'adaptateur central 6896 3M^{MC}. Il est fixé au centre de la lentille à l'aide d'un système de verrouillage rotatif à baïonnette qui comprime le joint d'étanchéité de l'adaptateur central 6896. L'ensemble orifice DIN 6884 est maintenu en place par le déflecteur d'air DIN 6881.

Retrait de l'adaptateur central du masque

1. Retirer l'ensemble coquille nasale (sauf dans les systèmes Powerflow^{MC} 3M^{MC}) en l'éloignant de l'adaptateur central situé à l'intérieur du masque (Fig. 15).
2. Presser la languette de verrouillage située à l'arrière du déflecteur d'air 6881 3M, puis tirer pour le dégager de la base de l'orifice DIN 6883 (Fig. 16).
3. Saisir l'adaptateur central par le couvercle et le faire tourner de un quart de tour dans le sens contraire des aiguilles d'une montre pour dégager le raccord à baïonnette de la lentille du masque.
4. Retirer l'adaptateur central de l'orifice central de la lentille.



Installation de l'adaptateur central dans le masque

1. Retirer le déflecteur d'air DIN 6881 de la base de l'orifice DIN 6883.
2. Aligner les languettes de la base de l'adaptateur central avec les encoches de l'orifice central de la lentille du masque.

3. Faire glisser l'adaptateur dans l'orifice de la lentille (Fig. 17).
4. Saisir l'adaptateur central par le couvercle et le faire tourner de un quart de tour dans le sens des aiguilles d'une montre. S'assurer que le joint d'étanchéité de l'adaptateur central est placé correctement et que l'ensemble adaptateur est entièrement enclenché.
5. Aligner la patte située au bas du déflecteur d'air DIN 6881 avec la fente pratiquée au bas de la base de l'orifice DIN 6883 (Fig. 16). Faire glisser vers l'avant et appuyer sur le bouton central jusqu'à ce que la languette de verrouillage s'enclenche.
6. Replacer l'ensemble coquille nasale au besoin. Consulter le tableau situé à la section « Remplacement de l'ensemble coquille nasale 3M^{MC} » des présentes directives d'utilisation.
7. Fixer les capuchons du dispositif de verrouillage 6880 3M^{MC} dans les orifices d'admission latéraux du masque si on utilise le respirateur dans l'une des configurations 3M suivantes : respirateur d'épuration d'air propulsé pour masque ou monté à la ceinture ou respirateur à pression négative avec cartouche ou boîtier filtrant pour intervenants.

Remplacement de l'ensemble coquille nasale 6894 3M^{MC}




L'ensemble coquille nasale 6894 de recharge se compose d'une coquille nasale et de soupapes d'exhalation. Il est conçu pour s'installer sur l'adaptateur central et s'ajuster confortablement sur le respirateur vis-à-vis la bouche et le nez de l'utilisateur pour évacuer l'air exhalé et prévenir la formation de buée.

1. Retirer l'ensemble coquille nasale en l'éloignant de l'adaptateur central situé à l'intérieur du masque (Fig. 15).
2. Pour remplacer, placer l'ensemble coquille nasale dans l'adaptateur central en alignant les deux flèches (Fig. 18).

Exigences relatives à la coquille nasale

L'utilisation de l'ensemble coquille nasale 6894 3M^{MC} avec les masques complets 3M^{MC} de série 6000DIN doit être conforme au tableau ci-dessous.

Tableau 6 : Coquille nasale : Suivre les exigences relatives au masque complet 3M^{MC} de série 6000DIN

Système de respirateur 3M ^{MC}	Utilisation homologuée par le NIOSH uniquement avec coquille nasale	Utilisation homologuée par le NIOSH uniquement sans coquille nasale	Utilisation homologuée par le NIOSH avec ou sans coquille nasale
Respirateurs d'épuration d'air propulsé montés à la ceinture			
Respirateur d'épuration d'air propulsé pour masque Powerflow ^{MC}			
Adduction d'air Cartouches de Série 6000 Filtres de Série 2000 Boîtier filtrant CP3N Cartouche FR-64 Respirateurs à deux arrivées d'air			

AVERTISSEMENT

Le fait d'utiliser la coquille nasale 6894 3M^{MC} ou de ne pas l'utiliser conformément aux exigences ci-dessus peut diminuer l'efficacité du respirateur et **provoquer des problèmes de santé ou la mort.**

Remplacement du joint d'étanchéité de l'adaptateur central 6896 3M^{MC}

Le Joint d'étanchéité de l'adaptateur central de rechange 6896 3M^{MC} est conçu pour sceller l'interface entre l'adaptateur central et la lentille des masques complets de Série 6000.

1. Retirer l'ensemble coquille nasale et l'adaptateur central conformément aux directives énoncées aux sections Remplacement de l'ensemble adaptateur pour orifice DIN et Remplacement de l'ensemble coquille nasale.
2. Retirer l'ancien joint d'étanchéité 6896 de l'adaptateur central et le remplacer par un joint 6896 neuf.
3. Replacer l'adaptateur central et la coquille nasale dans le masque.

Remplacement de la soupape d'inhalation 6893 3M^{MC}

Les soupapes d'inhalation sont situées à l'intérieur des orifices d'inhalation du masque et à l'intérieur des orifices d'inhalation de la coquille nasale. Ces soupapes doivent être inspectées avant chaque utilisation et remplacées lorsqu'elles sont endommagées ou perdues.

1. Retirer les soupapes déjà en place en les soulevant de leur support.
2. Installer les nouvelles soupapes sur les supports. S'assurer que les soupapes sont bien engagées sous les trois pattes du support, qu'elles sont à plat et qu'elles tournent librement sur leur support (Fig. 21).

Remplacement de la soupape d'exhalation 6889 3M^{MC}

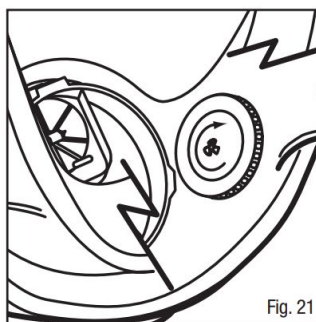
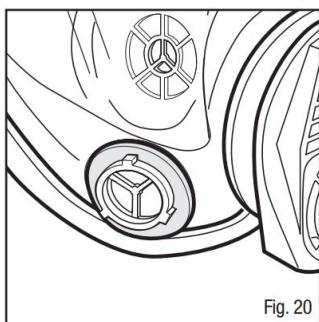
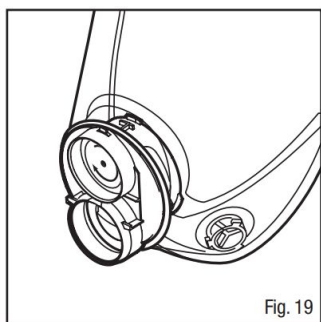
1. Retirer le couvercle de l'adaptateur central en le dégageant du verrou inférieur.
2. Saisir la soupape et déloger la tige de la soupape du siège de cette dernière.
3. Inspecter le siège de la soupape et s'assurer qu'il est propre et en bon état.
4. Placer la soupape 6889 neuve dans l'orifice d'exhalation et appuyer sur la tige de la soupape pour l'insérer dans l'orifice central. S'assurer que la soupape est entièrement engagée dans le siège et qu'elle tourne librement sur son support (Fig. 19).
5. Remettre le couvercle de l'adaptateur en place en enclenchant les encoches inférieures et supérieures.

REMARQUE : Effectuer une vérification de l'ajustement par pression négative pour s'assurer que la soupape d'exhalation fonctionne correctement.

Remplacement du joint d'étanchéité de l'orifice d'inhalation 6895 3M^{MC}

Le joint d'étanchéité de rechange pour orifice d'inhalation 6895 est conçu pour sceller l'interface entre les orifices d'inhalation à baïonnette situés sur le masque et les filtres/cartouches ou les tuyaux de respiration à deux arrivées d'air installés sur le masque. Il faut les inspecter chaque fois qu'on remplace un filtre ou une cartouche et les remplacer s'ils sont endommagés ou si leur intégrité est incertaine.

1. Retirer les joints d'étanchéité des raccords à baïonnette des orifices d'inhalation du masque.
2. Installer des joints d'étanchéité neufs dans les raccords à baïonnette des orifices d'inhalation du masque. S'assurer que les joints d'étanchéité sont placés sous les trois pattes de verrouillage (Fig. 20).



Remplacement du Harnais de tête 6897 3M^{MC}

Pour enlever et réinstaller le harnais de tête, suivre les directives de remplacement comprises avec l'ensemble harnais de tête 6897.

Ensemble lentille 6898 3M^{MC}

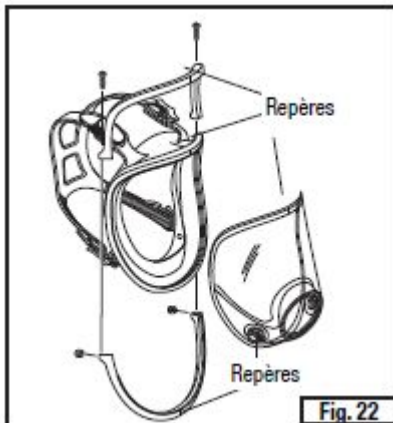
L'ensemble lentille 6898 se compose d'une lentille en polycarbonate enduite d'un revêtement dur et est muni de raccords d'orifice d'inhalation à fixation par baïonnette, de soupapes d'inhalation et de joints d'étanchéité de cartouche/filtre d'orifice d'inhalation. Remplacer la lentille 6898 en suivant les étapes ci-dessous :

1. Retirer l'ensemble coquille nasale et l'adaptateur central conformément aux directives énoncées aux sections Remplacement de l'ensemble adaptateur pour orifice DIN et Remplacement de l'ensemble coquille nasale.
2. Retirer les deux vis à tête étoilée du cadre de la lentille et du joint facial. Puis, éloigner le haut et le bas du cadre du joint facial.
3. Retirer le joint facial de la lentille.
4. Placer une lentille et un joint facial neufs en alignant les repères supérieurs et inférieurs. Placer la partie supérieure et inférieure du cadre en alignant les marques inférieures et supérieures (Fig. 22). Installer et bien serrer les vis. S'assurer de bien aligner les repères supérieurs et inférieurs avec tous les composants.
5. Installer l'ensemble adaptateur central.
6. Replacer l'ensemble coquille nasale.

Trousse de cadre pour lentille 6899 3M^{MC}

La trousse de cadre 6899 comprend le cadre supérieur et inférieur, 2 vis cruciformes et 2 écrous à tête hexagonale. Elle fixe et scelle le joint facial des Masques complets 3M^{MC} de Série 6000 à l'ensemble lentille 6898.

1. Une fois le joint facial fixé à la lentille en alignant les repères supérieur et inférieur, placer la partie supérieure du cadre sur la lentille et le joint facial en alignant les repères verticaux centraux, puis appuyer pour fixer.
2. Placer la partie inférieure du cadre en alignant les repères verticaux centraux et appuyer pour fixer (Fig. 22).
3. Placer et serrer les vis à tête étoilée. S'assurer que les pièces sont alignées et scellées adéquatement.



ES: Respirador de pieza facial de cara completa 3M™ Serie 6000DIN

INFORMACIÓN GENERAL SOBRE SEGURIDAD

Uso

Los Respiradores de pieza facial cara completa 3M™ Serie 6000 están aprobados por el Instituto Nacional de Seguridad y Salud Ocupacional (NIOSH por sus siglas en inglés) y están diseñados para proveer protección respiratoria contra ciertos contaminantes suspendidos en el aire, cuando se usan de acuerdo con todas las instrucciones, limitaciones de uso, regulaciones de seguridad y salud aplicables.

La serie de máscara facial de cara completa 6000 cumple con los requisitos de la norma Z87.1-2010 del Instituto Nacional Estadounidense de Estándares (ANSI) para la protección facial y ocular. Estos productos ayudan a ofrecer protección facial y ocular limitada contra partículas en el aire.

Este producto no contiene componentes de látex de hule natural.

ADVERTENCIA



Este respirador brinda protección contra ciertos contaminantes transportados por aire. **El uso inadecuado puede causar enfermedades o la muerte.** Para usarlo correctamente, consulta a tu supervisor y sigue las *Instrucciones de uso* o llama a 3M en Estados Unidos al 1-800-243-4630. En México llame al 01-800-712-0646. O contacte a 3M en su país.

Estas *Instrucciones de uso* ofrecen información sólo del uso de la pieza facial. En las *Instrucciones de uso* de cada uno de los sistemas de filtración/suministro de aire, certificados por NIOSH, y que serán usados con los Respiradores de pieza facial de cara completa de 3M Serie 6000 se incluye información importante. No seguir las *Instrucciones de uso* para los sistemas de filtración/suministro de aire usadas **puede ocasionar enfermedad o incluso la muerte.**

No limpie el respirador con solventes. Limpiar el respirador con solventes puede degradar los componentes de éste y reducir su efectividad. Antes de cada uso, revise los componentes del respirador para asegurar las condiciones adecuadas de funcionamiento. **No hacerlo puede ocasionar enfermedad o incluso la muerte.**

Su patrón debe proporcionar aire comprimido respirable que cumpla, como mínimo, con los requerimientos de la especificación para aire respirable Grado D, descrita en la Especificación de productos de la Asociación de Gases Comprimidos G-7.1-1997 de Estados Unidos. En Canadá, remítase a la norma CSA Z180.1, tabla para la calidad de aire comprimido respirable. No hacerlo **puede ocasionar enfermedad o incluso la muerte.**

INSTRUCCIONES Y LIMITACIONES

IMPORTANTE

Antes de usar el producto, el usuario debe leer y entender estas *Instrucciones*. Conserve estas *Instrucciones* para referencia futura.

Usar para

Protección respiratoria contra ciertos contaminantes suspendidos en el aire de acuerdo con las aprobaciones del NIOSH, limitaciones de la Administración de Seguridad y Salud Ocupacional (OSHA por sus siglas en inglés), y en Canadá los requerimientos de la norma CSA Z94.4-3M, otras regulaciones aplicables y las instrucciones de 3M.

No usar para

Concentraciones de contaminantes inmediatamente peligrosas para la vida o salud, cuando las concentraciones sean desconocidas o excedan 10 veces el límite de exposición permisible (PEL) en modo purificador de aire cuando se realizan pruebas de ajuste cualitativo, 50 veces el PEL en modo purificador de aire cuando se realizan pruebas de ajuste cuantitativo, 1000 veces el PEL en

modo de suministro de aire, o con base en las normas específicas de OSHA o las regulaciones gubernamentales aplicables, lo que sea menor.

Instrucciones

1. No seguir todas las instrucciones y limitaciones de uso de este respirador ni usar el respirador durante la exposición puede reducir la efectividad de éste y **ocasionar enfermedad o incluso la muerte.**
2. Antes del uso ocupacional de este respirador se debe implantar un programa escrito de protección respiratoria, que cumpla con todos los requerimientos de la norma OSHA 29 CFR 1910.134, como capacitación, prueba de ajuste, evaluación médica, y las normas aplicables específicas de sustancias de OSHA. En Canadá se debe cumplir con las recomendaciones de la norma de CSA 94.4 o los requisitos de la jurisdicción aplicable, según corresponda. Cuando se usa en modo de suministro de aire, el patrón debe suministrar aire respirable que cumple, como mínimo, con los requerimientos de aire respirable Grado D establecidos en la Especificación de productos de la Asociación de Gases Comprimidos G-7.1- 1997. En Canadá, los sistemas de aire respirable deben contar con aire que cumpla, como mínimo, con los requisitos de la norma CSA Z180.1.
3. Los contaminantes suspendidos en el aire que pueden ser peligrosos para su salud incluyen aquellos tan pequeños que no puede verlos u olerlos.
4. Si el respirador se daña, si hueles o percibes contaminantes o si sientes mareos, irritación u otro malestar, abandona el área contaminada inmediatamente y, luego, repara o reemplaza el respirador, o comunícate con el supervisor de contacto.
5. Almacene el respirador lejos de las áreas contaminadas.
6. Disponga del producto usado de acuerdo con las regulaciones correspondientes.

Limitaciones de uso

1. Este respirador no suministra oxígeno cuando se usa en modo purificador de aire. No los use en atmósferas con menos de 19.5% de oxígeno.
2. No use para concentraciones de contaminantes inmediatamente peligrosas para la vida o salud, cuando las concentraciones sean desconocidas o excedan 10 veces el límite de exposición permisible (PEL) en modo purificador de aire cuando se realizan pruebas de ajuste cualitativo, 50 veces el PEL en modo purificador de aire cuando se realizan pruebas de ajuste cuantitativo, 1000 veces el PEL en modo purificador de aire forzado o suministro de aire, o con base en las normas específicas de OSHA o las regulaciones gubernamentales aplicables, lo que sea menor.
3. No altere ni maltrate ni haga mal uso de este respirador.
4. No use con barba u otro vello facial u otra condición que evite el buen sello entre la cara y la superficie del sello del respirador.

Limitaciones de tiempo de uso

1. Los cartuchos y filtros deben usarse antes de la fecha de vencimiento en el empaque.
2. Los filtros para partículas se deben reemplazar si se dañan, ensucian o si se detecta una mayor resistencia a la respiración. Los filtros de la serie N no se deben usar en entornos con presencia de aceites. Es posible que el uso de los filtros de la serie R deba limitarse a 8 horas de uso continuo o intermitente si hay presencia de aerosoles. En entornos con presencia de aerosoles aceitosos, los filtros de la serie P deben reemplazarse después de 40 horas de uso o después de 30 días de haber empezado a usarlo, lo que ocurra primero.
3. La vida útil de estos cartuchos para gases/vapores dependerá de la actividad del usuario (frecuencia respiratoria), del tipo específico y la concentración de contaminantes y de las condiciones ambientales, como humedad, presión y temperatura. Debes reemplazar los cartuchos de acuerdo con las indicaciones de vida útil y según un programa de cambio establecido o antes, si detectas olor, sabor o irritación proveniente de agentes contaminantes. Consulta el software 3M Service Life en www.3M.com/sls.
4. Los cartuchos para vapor de mercurio 6007 y 60927 deben desecharse dentro de las 50 horas de uso contra el vapor de mercurio, o bien de acuerdo con la vida útil del producto para vapores orgánicos, cloro, sulfuro de hidrógeno o dióxido de azufre, o cuando los olores de los vapores o gases se vuelven perceptibles, lo que ocurra primero. El vapor de mercurio no tiene olor.

Precauciones y limitaciones NIOSH

Es posible que apliquen las siguientes restricciones. Consulte la etiqueta de aprobación del NIOSH.

A - No use en atmósferas con menos de 19.5% de oxígeno.

B - No use en atmósferas inmediatamente peligrosas para la vida o salud.

C - No exceda el uso máximo de concentraciones establecidas por las normas regulatorias.

D - Los respiradores de línea de aire sólo se pueden usar cuando los respiradores están suministrados con aire respirable que cumpla con los requerimientos de la norma CGA G-7.1 Grado D o de mayor calidad.

E - Sólo use los rangos de presión y las longitudes de manguera especificados en las *Instrucciones*.

F - No use respiradores purificadores de aire forzado si el flujo de aire es menor a 4 cfm (115 lpm) para piezas faciales de ajuste apretado o 6 cfm (170 lpm) para capuchas y/o casco.

G - Si se corta el flujo de aire, cambie al filtro y cartucho o cánister, y salga de inmediato a un área con aire limpio.

H - Siga los programas de cambio establecidos para cartuchos y cánister u observe el indicador de tiempo de vida útil (ESLI por sus siglas en inglés) para asegurarse que el cartucho y cánister sean reemplazados antes de que ocurra una fuga.

J - No usar ni mantener adecuadamente este producto puede ocasionar lesiones o incluso la muerte.

- Siga las *Instrucciones* del fabricante para cambiar cartuchos, cánister y/o filtros.

M - Todos los respiradores aprobados deberán seleccionarse, ajustarse, usarse y mantenerse de acuerdo con las normas de la Administración de Seguridad y Salud Minera (MSHA por sus siglas en inglés), OSHA y otras regulaciones aplicables.

N - Nunca sustituya ni modifique ni agregue ni omita partes. Sólo use las partes de repuesto exactas en la configuración, según las instrucciones del fabricante.

O - Remítase a las *Instrucciones* y/o al manual de mantenimiento para obtener información sobre el uso y mantenimiento de estos respiradores.

S - Aplican las *Instrucciones* especiales o importantes y/o limitaciones de uso específicas. Antes del uso del equipo consulte las *Instrucciones*.

S - Instrucciones de uso especiales o críticas

Los cartuchos para vapores orgánicos con indicadores de vida útil 3M™ (6001i y 60921i) están equipados con un indicador de fin de vida útil (ESLI) pasivo 3M™. El indicador debe verse fácilmente cuando se usa el respirador. Si no puedes ver fácilmente el ESLI, utiliza un espejo para observar el ESLI; confía en un compañero de trabajo que pueda ver el ESLI, o bien dirígete a un área limpia, sácate el respirador y mira el ESLI. No confíes únicamente en el ESLI para vapores orgánicos, a menos que tu empleador haya determinado que es apropiado para tu lugar de trabajo. Consulta las Instrucciones de uso de los productos de la serie 6001i o 60921i para obtener más información, incluidas instrucciones especiales sobre el ESLI.

Los cartuchos para vapores de mercurio, vapores orgánicos y gases ácidos 3M™ (6007 y 60927) se deben desechar dentro de las 50 horas de uso contra el vapor de mercurio.

Para mitigar los niveles molestos de gases ácidos o vapores orgánicos, se recomiendan los siguientes filtros: filtro para partículas tipo P95 3M™; filtro 2076HF para fluoruro de hidrógeno con mitigación de los niveles molestos de gases ácidos y el filtro para partículas tipo P100 para fluoruro de hidrógeno con mitigación de los niveles molestos de gases ácidos 3M™ 7093C. Los niveles molestos hacen referencia a concentraciones que no exceden los límites de exposición permitidos por la OSHA o los límites de exposición ocupacional del gobierno aplicables, la que sea menor. No use como protección respiratoria contra gases ácidos o vapores orgánicos, excepto fluoruro de hidrógeno.

Si va a utilizar la pieza facial en modo purificador de aire, sin Tubos de respiración 3M™ SA-1600 o SA-2600, debe volver a colocar las válvulas de inhalación antes de utilizar la pieza facial.

Uso de Ensamble de copa nasal 3M™ 6894 con las Piezas faciales de cara completa 3M™ Serie 6000DIN debe ser de acuerdo con la aprobación NIOSH para el sistema utilizado.

- La copa nasal no debe usarse con el PAPR Powerflow™ montado en la cara.
- El uso de copa nasal es opcional con sistemas PAPR Breathe Easy™ montado en cinturón y 3M™ GVP.
- La copa nasal debe usarse con las demás aplicaciones de pieza facial 6000DIN.

Remítase a las *Instrucciones* del producto 3M en específico para obtener mayor información.

Selección y aprobación de cartucho y filtro

Antes de usar cualquiera de estos productos, el usuario debe leer el uso específico, las limitaciones de uso e información de advertencia incluidos en las *Instrucciones* y el empaque producto, o llame al Servicio Técnico de 3M; en Estados Unidos llame al

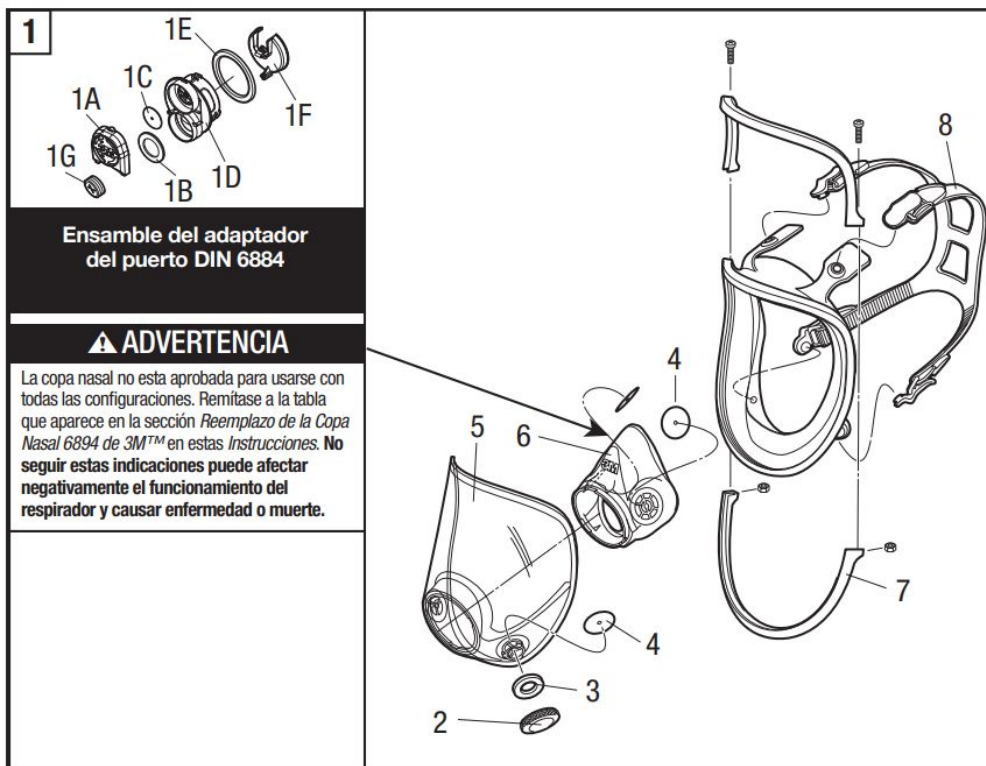
1-800-243-4630; en México al 01-800-712-0646. O contacte a 3M en su país. No exceda el uso máximo de concentraciones establecidas por las normas regulatorias locales. Los cartuchos/filtros están aprobados como ensambles para uso con Piezas faciales de cara completa 3M™ Serie 6000. Para consultar la aprobación NIOSH remítase a la etiqueta de aprobación.

LISTA DE PRODUCTOS

Tabla 1: Partes de repuesto para pieza facial de cara completa 3M™ serie 6000 y accesorios Para pieza facial de cara completa con adaptador de puerto din 6884

Número		****AAD	Descripción
6700		07138	pequeña
6800		07139	mediana
6900		07140	grande
1	6884		Ensamble de adaptador de puerto DIN
1A	6882		Cubierta DIN
1B	6876		Empaque de tubo de respiración
1C	6889		Válvula de exhalación
1D	6883		Base de puerto DIN
1E	6896		Empaque de adaptador centra
1F	6881		Regulador de aire para adaptador de puerto DIN
1G	7890		Tapo de cara completa (accesorio no incluido con 6884)
2	6880		Tapa tipo bayoneta
3	6895	07145	Empaque para puerto de inhalación
4	6893	07144	Válvula de inhalación
5	6898	37006	Ensamble de visor
6	6894	37004	Ensamble de copa nasal
7	6899	37007	Ensamble de marco c/tornillos
8	6897	37005	Ensamble de arnés para la cabeza

****** AAD, estos números de parte sólo son números de catálogo. Aprobados por NIOSH como números de parte PSD**



1

Ensamble del adaptador del puerto DIN 6884

⚠ ADVERTENCIA

La copa nasal no esta aprobada para usarse con todas las configuraciones. Remítase a la tabla que aparece en la sección *Reemplazo de la Copa Nasal 6894 de 3M™* en estas *Instrucciones*. No seguir estas indicaciones puede afectar negativamente el funcionamiento del respirador y causar enfermedad o muerte.

Tabla 2: Accesorios y partes 3M™

Número	****AAD	Descripción
504	07065	Paños para limpieza del respirador
601		Adaptador para prueba cuantitativa de ajuste
6878	07141	Kit de gafas
102		Kit de gafas universales 102
6885	07142	Mica protectora del visor
6886		Mica protectora del visor entintada
7883		Ensamble de banda para el cuello

****** AAD, estos números de parte sólo son números de catálogo. Aprobados por NIOSH como números de parte PSD**

⚠ PRECAUCIÓN

Si los cartuchos o filtros gastados o los respiradores contaminados con materiales peligrosos no se desechan adecuadamente, se pueden ocasionar daños al medioambiente o exposición personal al agente contra el cual protegen. La manipulación, el transporte y la eliminación de los cartuchos, filtros o respiradores gastados deben cumplir con todas las leyes y reglamentaciones federales, estatales, provinciales y locales vigentes.

CARTUCHOS 3M™

Tabla 3: Cartucho de respuesta 3M™ Cánister (montado al frente)

Número	Descripción	
450-02-11R06	Cánister CP3N	Alfa cloroacetofenona (CN), orto clorobenzilideno malonitrilo (CS); y P100
FR-64	Cartucho	Ciertos vapores orgánicos, cloro, cloruro de hidrógeno, dióxido de cloro, dióxido de azufre, amoníaco, metilamina, formaldehído, fluoruro de hidrógeno o ácido sulfhídrico, alfa cloroacetofenona (CN), orto clorobenzilideno malonitrilo (CS) o fosfinia; y P100

NOTA: En las *Instrucciones* de los Cartuchos y Cánister de respuesta 3M™ se encuentra información importante, por lo que el usuario debe leerlas antes de usar el equipo.

Tabla 4: Cartuchos 3M™ Serie 6000 (montado lateral)

Número	****AAD	Descripción	Aprobación NIOSH para protección respiratoria contra los siguientes contaminantes hasta 10 veces el límite de exposición permisible (PEL) cuando se prueba el ajuste cualitativo, hasta 50 veces el PEL cuando se prueba el ajuste cuantitativo, y hasta 1000 veces el PEL en modo purificador de aire forzado o suministrado.
6001	07046	Vapor orgánico	Ciertos vapores orgánicos
6001i		Vapor orgánico con indicador de vida útil	Ciertos vapores orgánicos
6002		Gas ácido	Cloro, cloruro de hidrógeno y dióxido de azufre o dióxido de cloro o ácido sulfhídrico
6003	07047	Vapor orgánico/Gas ácido	Ciertos vapores orgánicos, cloro, cloruro de hidrógeno y dióxido de azufre o ácido sulfhídrico o fluoruro de hidrógeno
6004		Amoníaco/metilamina	Amoníaco y metilamina
6005		Formaldehído/vapor orgánico	Formaldehído y ciertos vapores orgánicos
6006		Múltiples gases/vapor	Ciertos vapores orgánicos, cloro, hidrógeno Cloro, dióxido de cloro, dióxido de azufre, ácido sulfhídrico, amoníaco/metilamina, formaldehído o fluoruro de hidrógeno
6007		Vapor de mercurio, vapor orgánico y gas ácido	Vapor de mercurio, ciertos vapores orgánicos, dióxido de azufre, sulfuro de hidrógeno o gas de cloro
60921		Vapor orgánico/P100	Ciertos vapores orgánicos y partículas
60921i		Vapor orgánico con indicador de vida útil/P100	Ciertos vapores orgánicos y partículas
60922		Gas ácido/P100	Cloro, cloruro de hidrógeno y dióxido de azufre o dióxido de cloro o ácido sulfhídrico y partículas
60923		Vapor orgánico/Gas ácido/ P100	Ciertos vapores orgánicos, cloro, hidrógeno Cloro y dióxido de azufre o ácido sulfhídrico o fluoruro de hidrógeno y partículas
60924		Ammonia/Methylamine/P100	Amoníaco y metilamina y partículas
60925		Formaldehído/vapor orgánico/ P100	Formaldehído y ciertos vapores orgánicos y partículas
60926		Múltiples gases/vapor/P100	Ciertos vapores orgánicos, cloro, hidrógeno Cloro, dióxido de cloro, dióxido de azufre, ácido sulfhídrico, amoníaco/metilamina, formaldehído o fluoruro de hidrógeno y partículas
60927		Vapor de mercurio, vapor orgánico, gas ácido y partículas tipo P100	Vapor de mercurio, ciertos vapores orgánicos, dióxido de azufre, sulfuro de hidrógeno o gas de cloro y partículas
60928		Vapor orgánico/Gas ácido/ P100	Ciertos vapores orgánicos, cloro, cloruro de hidrógeno y dióxido de azufre o ácido sulfhídrico o fluoruro de hidrógeno y partículas ¹

****** AAD, estos números de parte sólo son números de catálogo. Aprobados por NIOSH como números de parte PSD**

¹Sugerido por 3M para uso contra metilbromuro o yoduro de radio hasta 5ppm con remplazo diario de cartucho. **NOTA: No está aprobado por NIOSH para uso contra metilbromuro o yoduro de radio.**

Tabla 5: Filtros, Adaptadores y Soportes 3M™ (montado lateral)

Número	****AAD	Descripción
501	07054	Soporte de filtro para Filtros 5N11 y 5P71
502		Adaptador de filtro para Filtros Serie 2000 ó 7093/7093C
2071		Filtro para partículas, P95
2076HF		Filtro para partículas, P95, fluoruro de hidrógeno, con alivio contra niveles molestos de gas ácido ¹
2078		Filtro para partículas, P95, sugerido por 3M para protección contra ozono ² , con alivio contra niveles molestos de vapor orgánico/gas ácido ¹
2091	07000	Filtro para partículas, P100
2291		Filtro avanzado para partículas, P100
2096		Filtro para partículas, P100, con alivio contra niveles molestos de gas ácido ¹
2296		Filtro avanzado para partículas, P100, con alivio contra niveles molestos de gas ácido ¹
2097	07184	Filtro para partículas, P100, sugerido por 3M para protección contra ozono ² , con alivio contra niveles molestos de vapor orgánico ¹
2297		Filtro avanzado para partículas, P100, sugerido por 3M para protección contra ozono ² , con alivio contra niveles molestos de vapor orgánico ¹
5N11		Filtro para partículas, N95
5P71	07194	Filtro para partículas, P95
7093		Filtro para partículas, P100
7093C	37173	Filtro para partículas, P100, fluoruro de hidrógeno, con alivio contra niveles molestos de vapor orgánico/gas ácido ¹

****** AAD, estos números de parte sólo son números de catálogo. Aprobados por NIOSH como números de parte PSD**

¹Recomendado por 3M™ para alivio de niveles molestos de gas ácido o vapores orgánicos. Niveles molestos se refiere a concentraciones que no excedan el PEL de OSHA o los límites gubernamentales de exposición ocupacional, lo que sea menor. No use para protección respiratoria contra gases ácidos/vapores orgánicos.

²Recomendado por 3M™ para protección contra ozono hasta 10 veces el PEL de OSHA o los límites de exposición permitidos correspondientes, lo que sea menor. **NOTA: No aprobado por el NIOSH para uso contra ozono.**

Instrucciones de armado

Todas las Piezas faciales de cara completa 3M™ Serie 6000 equipadas con Adaptador de puerto DIN 3M™ 6884 (Ensamblajes de pieza facial de cara completa 6700DIN, 6800DIN y 6900DIN) pueden usarse en cualquiera de las siguientes configuraciones:

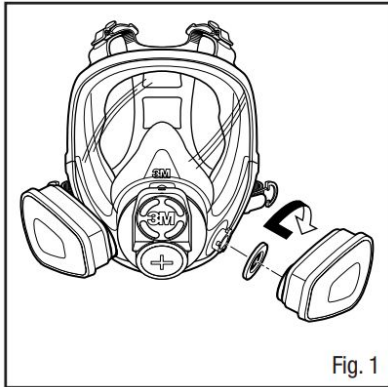
- Respirador Purificador de Aire Forzado (PAPR):
 - PAPR montado en cinturón GVP 3M™ con Tubo de respiración 3M™ GVP-123
 - PAPR montado en la cara 3M™ Powerflow™
 - PAPR montado en cinturón GVP 3M™ Breathe Easy™ con Tubo de respiración 3M™ 520-01-77
- Respirador con suministro de aire (SAR):
 - Línea de aire dual 3M™
 - Dispositivos para control de aire 3M™, flujo continuo (a excepción de Kit regulador de aire W-3196 y opciones de acero inoxidable)
- Presión negativa:
 - Cartucho de respuesta 3M™ FR-64 y Cánister CP3N (montado al frente)
 - Filtros Serie 3M™ Serie 2000, Filtros 7093/7093C y Cartuchos Serie 6000 (montado al lado)

Cada vez que el sistema de filtración/suministro de aire, incluidos los cánisters o cartuchos de respuesta, estén anexos al puerto DIN central del Ensamble de adaptador de puerto DIN, el Tapón de pieza facial completa 3M™ debe removerse del puerto central y debe cerrar los dos puertos bayoneta con Tapas bayoneta 6880 y Empaques de puerto de inhalación 6895.

NOTA: Antes de instalar los filtros, cartuchos o tubos de respiración, asegúrese que los Empaques del puerto de inhalación 3M™ 6895 estén en su lugar en los conectores tipo bayoneta de la pieza facial.

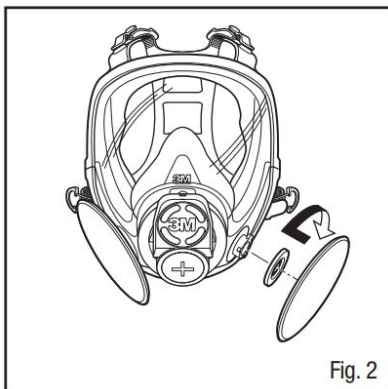
Cartucho serie 6000, filtro 7093 y cartucho o filtro 7093C 3M™ (montado lateral)

1. Alinee la muesca del cartucho con la pequeña pestaña de la conexión de tipo bayoneta en la pieza facial y presione.
2. Gire el cartucho en sentido de las manecillas del reloj hasta que se detenga (1/4 de vuelta).
3. Repita con el segundo cartucho (Fig. 1).
4. Revise que estén instalados un empaque de tubo de respiración (gris) 6876 y tapón 7890 en el puerto DIN central.



Filtros 3M™ serie 2000

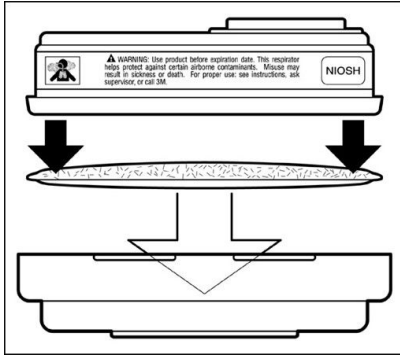
1. Alinee la abertura del filtro con el anexo de filtro en la pieza facial.
2. Gire el filtro en sentido de las manecillas del reloj hasta que quede firmemente asentado y no pueda girar más.
3. Repita para el segundo filtro (Fig. 2).
4. Revise que estén instalados un empaque de tubo de respiración (gris) 6876 y tapón 7890 en el puerto DIN central.



Filtros 5N11 y 5P71 3M™

1. Coloque el filtro en el Soporte 3M™ 501 de modo que el lado impreso del filtro quede hacia el cartucho.
2. Presione el cartucho en el soporte de filtro. Debe entrar y quedar fijo en el soporte de filtro. Instalado correctamente, el filtro debe cubrir por completo la cara del cartucho (Fig. 3).
3. Para reemplazar el filtro, quite el soporte y levante la lengüeta.

Fig. 3



Ensamble de adaptador de filtro 3M™ 502 y conexión de filtro

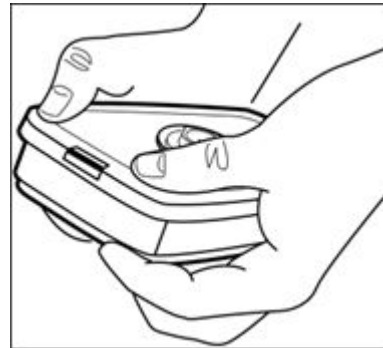
1. Alinee el adaptador en el cartucho. Enganche el broche frontal de presión al apretar juntos el frente del cartucho y adaptador, colocando los pulgares de ambas manos sobre el adaptador y los dedos a lo largo de los lados inferiores del cartucho (Fig. 4).
2. Enganche el broche posterior de presión al apretar juntos el lado posterior del cartucho y adaptador con la misma posición de las manos. Se debe escuchar un clic conforme el broche de presión se engancha (Fig. 5).
3. Coloque el filtro en el portafiltro de modo que el filtro tenga contacto uniforme con el empaque. Gire el filtro en sentido de las manecillas del reloj un cuarto de vuelta hasta que quede firmemente asentado y no pueda girar más. Repita lo anterior para el segundo filtro.

NOTA: Una vez instalado el Adaptador de filtro 3M™ 502 en un Cartucho 3M™ Serie 6000, no debe quitarse o reutilizarse. La remoción o reutilización puede ocasionar fuga, sobreexposición, enfermedad o incluso la muerte.

Fig. 4



Fig. 5



Sistemas con suministro de aire 3M™

 **ADVERTENCIA**

Para cumplir con el requerimiento del NIOSH para un flujo de aire mínimo (4cfm/115 lpm) y máximo (15cfm/424 lpm), las válvulas para controlar el aire aprobadas para uso con los Respiradores de pieza facial de cara completa 3M™ Serie 6000 deben operarse dentro de los rangos de suministro de presión y longitud de manguera correctos. **No hacerlo puede ocasionar enfermedad o incluso la muerte.**

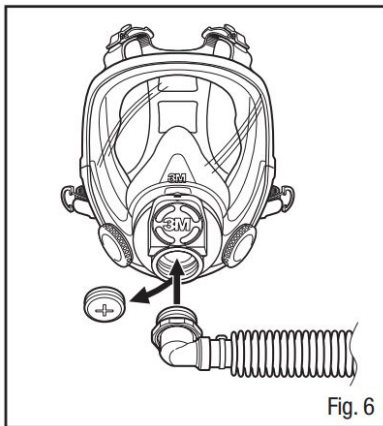
 **ADVERTENCIA**

Su patrón debe proporcionar aire respirable que cumpla, como mínimo, con los requerimientos de la especificación para aire respirable Grado D, descrita en la Especificación de productos de la Asociación de Gases Comprimidos G-7.1-1997 de Estados Unidos. En Canadá, remítase a la norma CSA Z180.1, tabla para la calidad de aire comprimido respirable. **No hacerlo puede ocasionar enfermedad o incluso la muerte.**

DISPOSITIVOS PARA CONTROL DE AIRE 3M™ - FLUJO CONTINUO

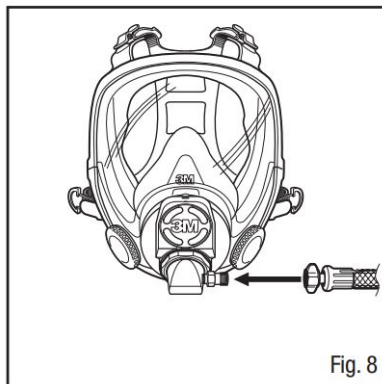
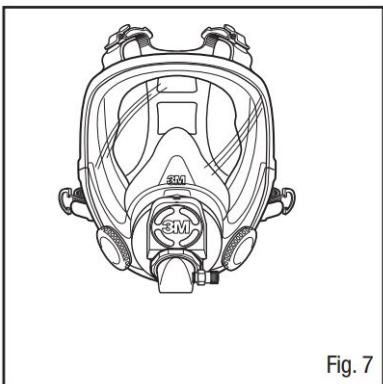
Ensamble del Tubo de respiración 3M™ W-3264

1. Retire el Tapón de cara completa 3M™ 7890 y atornille el tubo de respiración en la abertura central (Fig. 6).
2. Conecte el otro extremo del tubo de respiración a la válvula reguladora de aire.
3. Revise que todas las conexiones estén bien fijadas antes de cada uso. Remítase a las Instrucciones incluidas con las válvulas para regulación de aire para obtener mayor información.



Ensamble del Tubo de respiración 3M™ W-3188

1. Retire el Tapón de la cara completa 3M™ 7890 y atornille el Adaptador 3M™ W-3187 en la abertura central (Fig. 7).
2. Conecte el Tubo de respiración 3M™ W-3188 al adaptador (Fig. 8).
3. Conecte el Tubo de respiración 3M™ W-3188 a la válvula reguladora de aire (Fig. 8).
4. Asegúrese que todas las conexiones estén bien fijadas y seguras. Remítase a las Instrucciones incluidas con las válvulas para regulación de aire para obtener mayor información.



Ensamble de respirador con línea de aire dual 3M™

El usuario debe seguir las Instrucciones de los Respiradores con suministro de aire con línea de aire dual incluidas con los Respiradores con suministro de aire con línea de aire dual 3M™.

Ensamble de Combinación respirador con línea de aire dual 3M™ con Cartuchos y/o filtros

Las versiones de los Tubos de línea de aire dual 3M™ montada al frente SA-1600 y montada en la parte posterior SA-2600 permiten el uso de Cartuchos 3M™ Serie 6000 y Filtros 3M™ Serie 2000, aprobados por NIOSH. Para obtener la lista de los cartuchos y filtros aprobados, consulte la etiqueta de aprobación del NIOSH incluida con los kits de adaptador para línea de aire dual 3M™

Para ensamblar la Combinación de tubos de respiración para línea de aire dual 3M™ con Cartuchos/Filtros 3M™, debe quitar las válvulas de inhalación de la pieza facial.

IMPORTANTE: Si la máscara facial se va a usar en el modo de purificación de aire (sin utilizar los tubos de respiración SA-1600 o SA-2600), las válvulas de inhalación deben reemplazarse en la máscara facial antes de su uso.

Uso de Combinación de tubos de respiración con línea de aire dual 3M™ con Cartuchos y/o filtros

Para usar los tubos de respiración de combinación de línea de aire dual 3M™ (SA-1600 y SA-2600) sin cartuchos o filtros, coloca una tapara de bayoneta 6880 3M™ en cada montura externa de bayoneta en el tubo de respiración de línea de aire dual. Cuando se usa como un respirador de máscara facial de cara completa con flujo continuo de aire tipo C, el factor de protección asignado es 1000 veces el límite de exposición ocupacional (PEL) u otro límite de exposición ocupacional.

ADVERTENCIA

La Línea de aire dual 3M™ está aprobada por el NIOSH sólo cuando la Copa nasal 3M™ 6894 está en su lugar. **No hacerlo puede ocasionar enfermedad o incluso la muerte.**

Ensamble de Cartucho para respuesta y Cánister 3M™

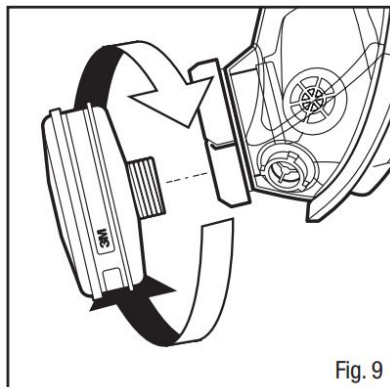
ADVERTENCIA

El Cánister CP3N y Cartucho FR-64 3M™ está aprobados por NIOSH sólo cuando la Copa nasal 3M™ 6894 está en su lugar. **No hacerlo puede ocasionar enfermedad o incluso la muerte.**

ADVERTENCIA

Apretar demasiado puede dañar la carcasa del Adaptador de puerto DIN o empaque, y permitir el paso de aire no filtrado hacia la pieza facial, lo que **puede resultar en enfermedad o incluso la muerte.**

El Cánister CP3N y Cartucho FR-64 incluyen *Instrucciones* sobre uso adecuado y limitaciones de uso. Los dos puertos tipo bayoneta en el visor deben cerrarse con Tapas tipo bayoneta 6880 y Empaques para puerto de inhalación 6895. Antes de instalar el cánister, revise que el Empaque para tubo de respiración 6876 esté en su lugar y en buenas condiciones. Atornille el cánister/cartucho de respuesta en el adaptador de puerto DIN y apriete con presión manual moderada (Fig. 9).



Ensamble PAPR GVP 3M™

Atornille el codo adaptador del Tubo de respiración 3M™ GVP-123 en el puerto central del ensamble del adaptador 6884. El usuario debe seguir las *Instrucciones* provistas con el Ensamble de respirador purificador de aire forzado con cinturón GVP montado.

Ensamble PAPR Turbo 3M™ Breathe Easy™

Atornille el adaptador roscado en el Tubo de respiración 3M™ 520-01-77 en el puerto central del ensamble de adaptador de puerto Din 6884. El usuario debe seguir las *Instrucciones* provistas con el Ensamble PAPR Turbo 3M™ Breathe Easy™.

Ensamble de PAPR 3M™ Powerflow™

El usuario debe seguir las *Instrucciones* provistas con el PAPR Powerflow™.

ADVERTENCIA



Los sistemas PAPR 3M™ Powerflow™ NO están aprobados por NIOSH para uso con copa nasal. **Usar una copa nasal puede ocasionar enfermedad o incluso la muerte.**

ADVERTENCIA

Debe revisar la conexión entre el PAPR Powerflow™ y la Pieza facial de cara completa 3M™ 6000DIN cada vez que ensamble o gire la unidad. Esta revisión debe realizarse fuera de un ambiente contaminado. Entrar al área contaminada cuando la conexión del ensamble PAPR y la pieza facial esté floja, **puede ocasionar enfermedad o incluso la muerte.**

INSTRUCCIONES DE AJUSTE

Debe seguir estas instrucciones durante el tiempo que use el respirador.

NOTA: No use con barba u otro vello facial u otra condición que evite el buen sello entre la cara y la superficie del sello del respirador. No puede usar gafas de seguridad estándares con los respiradores de pieza facial de cara completa. Si se requieren lentes correctivos, se debe usar un kit de gafas 3M™ dentro del respirador. Para ayudar a mantener un buen sello entre la cara y el sello facial, debe mantener el cabello, las capuchas y otro equipo fuera del sello del respirador.

Colocación del respirador

1. Afloje las cuatro bandas para la cabeza. Con una mano jale el cabello hacia atrás, fuera del área del sello de la pieza facial. Coloque la barbilla en la copa para barbilla del respirador. Con la pieza facial en su lugar, jale el arnés para la cabeza hacia la parte posterior de la cabeza (Fig. 10).
2. Jale los extremos de las cuatro bandas para ajustar, empiece con las bandas para el cuello, después por las de la sienes y por último con las de la frente. No apriete demasiado las bandas (Fig. 11).
3. Cada vez que se coloque el respirador, realice una revisión de presión negativa y positiva.

Fig. 10



Fig. 11

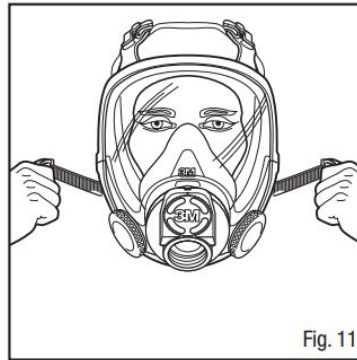


Fig. 11

Fig. 12

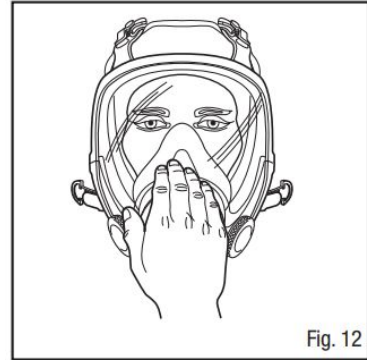


Fig. 12

REVISIÓN DEL SELLO

Siempre revise el sello del respirador en su cara antes de entrar al área contaminada.

Revisión de la presión positiva

1. Retire el tubo de respiración, Ensemble PAPR 3M™ Powerflow™ o cartucho/cánister del puerto DIN central, según aplique.
2. Coloque la palma de la mano sobre la válvula de exhalación, cubra y centre el puerto DIN, exhale con cuidado. Ha logrado un ajuste adecuado, si la pieza facial se abulta un poco y no se detectan fugas de aire entre la cara y la pieza facial (Fig. 12).
3. Si detecta una fuga de aire en el sello facial, vuelva a posicionar el respirador en la cara y/o vuelva a ajustar la tensión de las bandas para eliminar la fuga.

NO entre en el área contaminada si NO PUEDE lograr un buen sello. Consulte a su supervisor.

Revisión de presión negativa con PAPR 3M™ Powerflow™ y cánister/cartucho de respuesta

1. Coloque las palmas de las manos sobre la entrada de aire del cartucho/cánister.
2. Inhale con suavidad. Ha logrado un ajuste adecuado si siente que la pieza facial se colapsa un poco y se pega a su cara sin ninguna fuga entre la cara y la pieza facial.
3. Si detecta una fuga de aire en el sello facial, vuelva a posicionar el respirador en la cara y/o vuelva a ajustar la tensión de las bandas para eliminar la fuga.

NO entre en el área contaminada si NO PUEDE lograr un buen sello. Consulte a su supervisor.

Revisión de presión negativa con GVP 3M™ y PAPRs Breathe Easy™

1. Coloque la palma de la mano sobre la abertura del tubo de respiración (Fig. 12).
2. Inhale con suavidad. Ha logrado un ajuste adecuado si siente que la pieza facial se colapsa un poco y se pega a su cara sin ninguna fuga entre la cara y la pieza facial.
3. Si detecta una fuga de aire en el sello facial, vuelva a posicionar el respirador en la cara y/o vuelva a ajustar la tensión de las bandas para eliminar la fuga.

NO entre en el área contaminada si NO PUEDE lograr un buen sello. Consulte a su supervisor.

Fig. 13

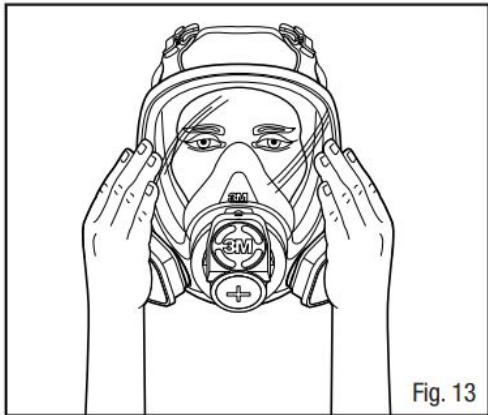
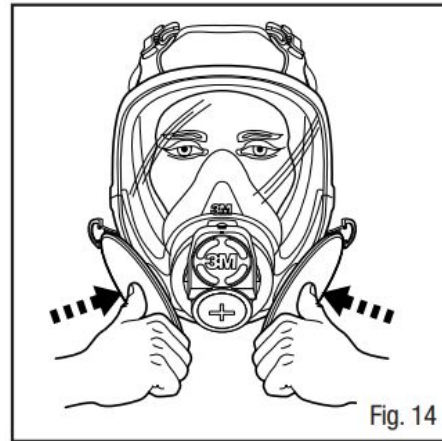


Fig. 14



Verificación de sellado por presión negativa del usuario con cartuchos serie 6000 (montaje lateral)

1. Coloque las palmas de las manos de modo que cubran la cara del cartucho o el área abierta del Soporte del filtro 3M™ 501 e inhale con suavidad. Ha logrado un ajuste adecuado, si siente que la pieza facial se colapsa un poco y se pega a su cara sin ninguna fuga entre la cara y la pieza facial (Fig. 13).
2. Si detecta una fuga de aire en el sello facial, vuelva a posicionar el respirador en la cara y/o vuelva a ajustar la tensión de las bandas elásticas para eliminar la fuga.

NO entre en el área contaminada si NO PUEDE lograr un buen sello. Consulte a su supervisor.

NOTA: Usar el Soporte de filtro 3M™ 501 puede ayudar al usuario del respirador a realizar la revisión del sello con presión negativa.

Revisión de sello con presión negativa con Filtros Serie 2000 (montado lateral)

1. Coloque los pulgares en la parte central de los filtros, restringiendo el flujo de aire a través de los filtros e inhale con suavidad. Ha logrado un ajuste adecuado, si siente que la pieza facial se colapsa un poco y se pega a su cara sin ninguna fuga entre la cara y la pieza facial. (Fig. 14)
2. Si detecta una fuga de aire en el sello facial, vuelva a posicionar el respirador en la cara y/o vuelva a ajustar la tensión de las bandas elásticas para eliminar la fuga.

NO entre en el área contaminada si NO PUEDE lograr un buen sello. Consulte a su supervisor.

Revisión de sello con presión negativa con Filtros Serie 7093/7093C (montado lateral)

1. Presione las cubiertas de filtro con las manos hacia la pieza facial e inhale con suavidad. Ha logrado un ajuste adecuado, si siente que la pieza facial se colapsa un poco y se pega a su cara sin ninguna fuga entre la cara y la pieza facial.
2. Si detecta una fuga de aire en el sello facial, vuelva a posicionar el respirador en la cara o vuelva a ajustar la tensión de las bandas elásticas para eliminar la fuga.

NO entre en el área contaminada si NO PUEDE lograr un buen sello. Consulte a su supervisor.

Revisión de presión negativa con línea de aire dual y línea de aire montada en el centro

1. Desconecte la manguera de línea de aire de la válvula para control de aire.
2. Inhale con suavidad con el tubo de respiración todavía conectado a la válvula para control de aire. Ha logrado un ajuste adecuado, si siente que la pieza facial se colapsa un poco y se pega a su cara sin ninguna fuga entre la cara y la pieza facial.
3. En el caso de una combinación de línea de aire dual que cuente con cartuchos o filtros acoplados, realiza una prueba de sellado según los descrito en el cartucho o filtro correspondiente.
4. Si detecta una fuga de aire en el sello facial, vuelva a posicionar el respirador en la cara y/o vuelva a ajustar la tensión de las bandas elásticas para eliminar la fuga.

Si no puedes lograr un sellado adecuado, NO ingreses al área contaminada. Consulta a tu supervisor.

NOTA: Antes de asignar cualquier respirador para su uso en un área contaminada, se debe realizar una prueba de ajuste cualitativa o cuantitativa, de acuerdo con lo establecido por el Título 29, Párrafo 1910.134 del Código de Regulaciones Federales (CFR) aprobado por la Administración de Seguridad y Salud Ocupacional (OSHA) o la norma Z94.4 de la Asociación Canadiense de Estándares (CSA)..

REMOCIÓN DEL RESPIRADOR

1. Afloje bien las cuatro bandas para la cabeza al levantar los broches.
2. Quítese el respirador al jalar las bandas sobre la cabeza.

PRUEBA DE AJUSTE

La efectividad de un respirador se reducirá si no se logra el ajuste correcto. Por lo tanto, debe realizar una prueba de ajuste cuantitativa o cualitativa antes de asignar el respirador.

NOTA: La prueba de ajuste es un requisito de OSHA en EEUU y la CSA Z94. 4 en Canadá; por lo que antes de usar el respirador debe realizar una prueba de ajuste cuantitativa y cualitativa.

Prueba de ajuste cuantitativa

La prueba de ajuste cuantitativa (QNFT) se puede realizar con un adaptador para prueba de ajuste 601 3M™ y filtros tipo P100, como los filtros para partículas tipo P100 3M™ 2091 o 7093.

Prueba de ajuste cualitativa

La prueba de ajuste cualitativa (QLFT) con el aparato de prueba de ajuste cualitativo 3M™ FT-10 o FT-30 puede realizarse con cualquiera de los filtros para partículas aprobados por el NIOSH.

Los respiradores también deben someterse a pruebas de ajuste en conjunto con cualquier equipo de protección personal (EPP) que el usuario pueda usar en su entorno de trabajo, el cual pueda afectar el ajuste del respirador (por ejemplo, capuchas, cascos, gafas de seguridad, protectores auditivos, etc.).

NOTA: Para mayores informes respecto a la prueba de ajuste contacte al Servicio Técnico de 3M en EUA al 1-800-243-4630 o contacte a 3M en su país. En México llame al 01-800-712-0646. O contacte a 3M en su país.

INSPECCIÓN, LIMPIEZA Y ALMACENAMIENTO

Procedimiento de inspección

Revise el respirador antes de cada uso para asegurarse que está en buenas condiciones de operación. Antes de cada uso debe reemplazar cualquier parte dañada o defectuosa. No entre en el área contaminada si el respirador tiene alguna parte dañada o defectuosa. Se recomienda el siguiente procedimiento de inspección.

1. Revise que la pieza facial no tenga grietas, rasgaduras o polvo. Asegúrese que la pieza facial, en especial el área de sello, no esté distorsionada.
2. Revise que las válvulas de inhalación no estén distorsionadas, agrietadas o rasgadas.
3. Revise que las bandas para la cabeza estén intactas y tengan buena elasticidad.
4. Revise que todas las partes plásticas estén agrietadas o se haya aflojado. Asegúrese que los empaques del filtro estén bien asentados y en buenas condiciones.
5. Quite la cubierta de la válvula de exhalación y revise que la válvula y el asiento de ésta no estén sucios, distorsionados, agrietados o rasgados. Reemplace la cubierta para válvula de exhalación.
6. Revise que el visor no tenga daños que impidan el desempeño del respirador o dificulten la visión.

Limpieza y almacenamiento

Se recomienda limpiar el respirador después de cada uso.

ADVERTENCIA

No limpie el respirador con solventes. Limpiar el respirador con solventes puede degradar los componentes de éste y reducir su efectividad. Antes de cada uso, revise los componentes del respirador para asegurar las condiciones adecuadas de funcionamiento. **No hacerlo puede ocasionar enfermedad o incluso la muerte.**

1. Quite los cartuchos, filtros y tubos de respiración. Si es necesario, también debe quitar el adaptador central, el visor y sello facial.
2. Con excepción de los filtros y cartuchos, limpie la pieza facial al sumergir en solución de limpieza con agua tibia, sin que ésta exceda 49°C (120°F), y talle con un cepillo suave hasta que quede limpia. Si es necesario, agregue detergente neutro. No use limpiadores que contengan lanolina u otro aceite.
3. Desinfecte la pieza facial al humedecerla en una solución con amoníaco cuaternario o hipocloruro de sodio (30ML [1oz] de blanqueador doméstico en 7.5 l [2 galones] de agua) u otro desinfectante.
4. Lave en agua fresca y tibia, y deje secar al aire en una atmósfera no contaminada.
5. Antes de cada uso debe revisar los componentes del respirador. Debe eliminar cualquier componente dañado o deteriorado.
6. Debe almacenar el respirador limpio lejos de áreas contaminadas.

INSTRUCCIONES PARA REEMPLAZO DE PARTES

Ensamblaje de pieza facial 3M™ para 6700DIN/6800DIN/6900DIN

La pieza facial consiste del ensamble de arnés para la cabeza, ensamble de copa nasal, ensamble de adaptador central, ensamble de visor, sello facial (pequeño, mediano o grande) y ensamble de marco (superior, inferior, tornillos y tuercas).

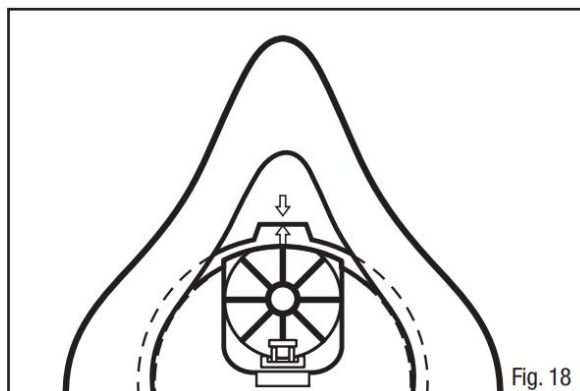
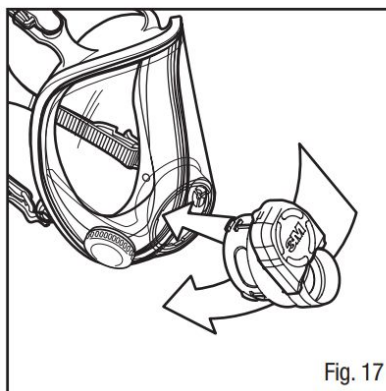
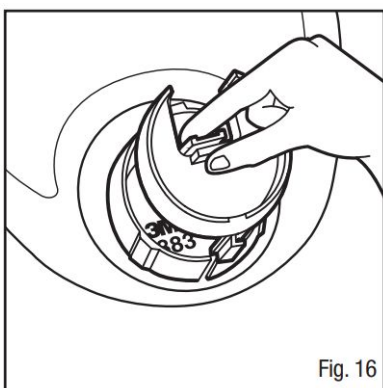
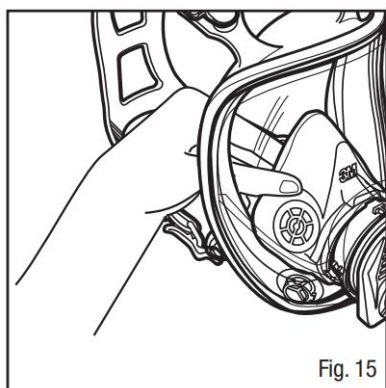
Para desensamblar el ensamble de visor del sello facial, quite los dos tornillos Phillips del marco superior. Después, jale el marco superior e inferior del sello facial. El marco superior e inferior, el sello facial y el Ensamble de visor tienen marcas en línea vertical para indicar sus posiciones relativas uno con otro. Asegúrese que estas marcas estén alineadas para volver a ensamblar.

Repuesto del ensamble de adaptador de puerto DIN 3M™ 6884

El Ensamble de adaptador de puerto DIN (adaptador central) consiste de Base de puerto DIN 3M™ 6883, Cubierta DIN 3M™ 6882, Regulador de aire para adaptador de puerto DIN 3M™ 6881, Válvula de exhalación 3M™ 6889, Empaque para tubo de respiración 3M™ 6876 y Empaque para adaptador central 3M™ 6896. Está fijo al centro del visor con una conexión con seguro de fijación tipo bayoneta, que comprime el empaque del adaptador central 6896. El ensamble de puerto DIN 6884 está asegurado en su posición por el Regulador de aire para adaptador de puerto DIN 6881.

Para retirar el adaptador central de la pieza facial

1. Quite el ensamble de copa nasal (excepto en Sistemas 3M™ Powerflow™) al jalarlo del adaptador central dentro de la pieza facial (Fig. 15).
2. Apriete la lengüeta de seguro en la parte posterior del administrador de aire 6881 y jale hacia atrás para desenganchar de la base de puerto DIN 6883 (Fig. 16).
3. Tome el adaptador central de la cubierta y gire en sentido contrario a las manecillas del reloj, 1/4 de vuelta, para desatorar la bayoneta del visor de la pieza facial.
4. Retire el adaptador central del puerto central del visor.



Para instalar el adaptador central de la pieza facial

1. Retire el Regulador de aire para adaptador de puerto DIN 6881 de la base de puerto DIN 6883.
2. Alinee las lengüetas en la base del adaptador central con las muescas en el puerto central del visor de la pieza facial.
3. Deslice el adaptador en el puerto del visor (Fig. 17).
4. Tome el adaptador central de la cubierta y gire en sentido de las manecillas del reloj, 1/4 de vuelta hasta que se detenga. Asegúrese que el empaque del adaptador central esté en su posición y que esté sellado, y que el ensamble de adaptador esté bien colocado.
5. Alinee la lengüeta en el fondo del administrador de aire 6881 con la ranura en el fondo de la base de puerto DIN 6883 (Fig. 16). Deslice hacia adelante y presione la perilla central hasta que la lengüeta de seguro haga un clic en la posición correcta.
6. Reemplace el ensamble de copa nasa, según aplique. Remítase a la tabla en la sección de "Reemplazo de ensamble de copa nasal 3M™" en estas instrucciones.
7. Conecte las Tapas tipo bayoneta 3M™ 6880 en los puertos de entrada laterales en la pieza facial si usa una de las siguientes configuraciones 3M: Sistemas PAPR montados en cinturón o cara, o el cánister/cartucho de respuesta en el modo de presión negativa.

Reemplazo del Ensamble de copa nasal 3M™ 6894

El reemplazo de ensamble de copa nasal 6894 consiste de copa nasal y válvulas de inhalación. Está diseñado para su instalación en el adaptador central y para colocación cómoda sobre la boca y nariz del usuario del respirador para ayudar a purgar el aire exhalado y prevenir el empañamiento del visor.

1. Quite el ensamble de copa nasal al jalarlo del adaptador central dentro de la pieza facial (Fig. 15).
2. Para reemplazar, coloque el ensamble de copa nasal en las flechas de alineación del adaptador central (Fig. 18).

Requisitos de copa nasal

El uso de Ensamble de copa nasal 3M™ 6894 con las Piezas faciales de cara completa 3M™ Serie 6000DIN debe ser de acuerdo con la siguiente tabla.

Tabla 6: Requisitos de uso de copa nasal para Pieza facial de cara completa 3M™ Serie 6000DIN

Sistema respirador 3M™	Aprobado por NIOSH sólo con copa nasa	Aprobado por NIOSH sólo sin copa nasal	Aprobado por NIOSH con o sin copa nasal
PAPRs montados en cinturón			
PAPR de montaje facial 3M™ Powerflow™			
Suministro de aire Cartuchos serie 6000 Filtros Serie 2000 Cánister CP3N Cartucho FR-64 Línea de aire dual			

 **ADVERTENCIA**

No usar la Copa nasal 3M™ 6894 o no usarla de acuerdo con los requisitos anteriores puede afectar de manera adversa el desempeño del respirador y **resultar en enfermedad o muerte.**

Reemplazo de la junta del adaptador central 3M™ 6896

El reemplazo de la junta del adaptador central 3M™ 6896 está diseñado para sellar la interfaz entre el adaptador central y el lente de la máscara facial de cara completa serie 6000.

1. Retire el ensamble de copa nasal y adaptador central como se describe en las secciones de Adaptador de puerto DIN y Reemplazo de copa nasal.
2. Retire el empaque 6896 anterior del adaptador central y reemplácelo con el empaque 6896 nuevo.
3. Vuelva a instalar el adaptador central y la copa nasal en la pieza facial.

Reemplazo de Válvula de inhalación 3M™ 6893

Las válvulas de inhalación están ubicadas en los postes en el interior de los puertos de inhalación de la pieza facial y los puertos de inhalación de la copa nasal. Antes del uso de cada respirador debe revisar estas válvulas y cambiarlas cada vez que sea necesario o si están dañadas.

1. Retire las válvulas existentes al levantarlas de los postes.
2. Instale las válvulas nuevas en los postes. Asegúrese que la válvula esté bien colocada debajo de las tres orejetas en los postes, quede plana y que gire libremente en el poste (Fig. 21).

Reemplazo de válvula de exhalación 3M™ 6889

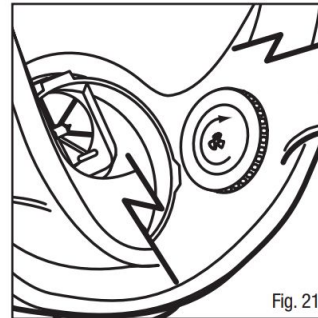
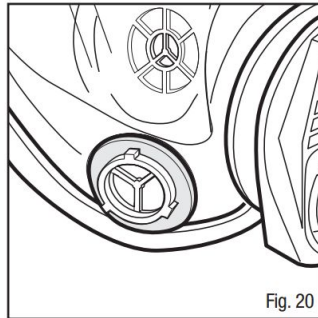
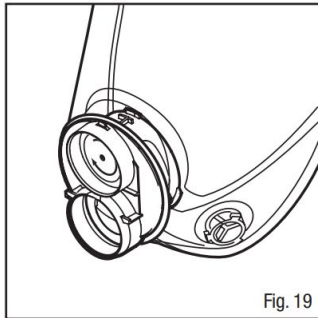
1. Retire el adaptador central al jalarlo del sujetador inferior.
2. Tome la válvula y jale el vástago del asiento de la válvula.
3. Revise el asiento de la válvula para verificar que esté limpia y en buenas condiciones.
4. Coloque la nueva válvula sobre el puerto de exhalación y empuje o presione el vástago de la válvula en el orificio central. Asegúrese que la válvula esté bien asentada y que gire libremente en el montaje (Fig. 19).
5. Reemplace la cubierta de adaptador al enganchar los broches superiores e inferiores (sujetadores).

NOTA: Realice una revisión de presión negativa para asegurarse que la válvula de exhalación funcione de manera correcta.

Reemplazo de Empaque de puerto de inhalación 3M™ 6895

El empaque 6895 está diseñado para sellar la interfaz entre la conexión tipo bayoneta de puertos de inhalación en la pieza facial y los cartuchos/ filtros o los tubos de respiración de la línea de aire dual, instalados en las piezas faciales. Debe revisar los empaques con cada cambio de filtro/ cartucho y reemplazarlos cada que se dañen o que dude de la integridad del sello.

1. Retire los empaques de los accesorios tipo bayoneta del puerto de inhalación de la pieza facial.
2. Instale los empaques nuevos en los accesorios tipo bayoneta del puerto de inhalación de la pieza facial. Asegúrese que los empaques estén en la posición correcta debajo de las tres orejetas tipo bayoneta (Fig. 20).



Reemplazo del arnés de cabeza 3M™ 6897

Lee y sigue las Instrucciones de reemplazo del conjunto de arnés de cabeza 6897 incluidas con el arnés de cabeza de reemplazo para obtener instrucciones sobre cómo quitar y reemplazar este equipo.

Ensamble de visor 3M™ 6898

El Ensamble de visor 6898 consiste de un visor de policarbonato rígido con accesorios para conexión tipo bayoneta del puerto de instalación, válvulas de inhalación y empaques del puerto de filtro/cartucho. El visor 6898 se puede reemplazar por medio de los pasos siguientes:

1. Retire el ensamble de copa nasal y adaptador central como se describe en las secciones de Adaptador de puerto DIN y Reemplazo de copa nasal.
2. Quite los dos tornillos Phillips del marco del visor/sello facial. Saque el marco superior e inferior del sello facial.
3. Quite el sello facial del visor.
4. Coloque un nuevo visor y sello facial al alinear las marcas superiores e inferiores. Coloque el marco superior e inferior nuevos, y de nuevo alinee las marcas superiores e inferiores (Fig. 22). Instale y apriete bien los tornillos. Asegúrese que las marcas de alineación estén bien alineadas en la parte superior e inferior con todos los componentes.
5. Instale el ensamble central de adaptador.
6. Reemplace el ensamble de copa nasal.

Juego de estructura 3M™ 6899

El juego de estructura 6899 incluye una parte superior del marco, una parte inferior del marco, dos (2) tornillos tipo Phillips y dos (2) tuercas de cabeza hexagonal. El juego de estructura asegura y sella el sello facial de la máscara facial de cara completa 3M™ 6000 al conjunto de lente 6898.

1. Después de ensamblar el sello facial en el visor, iguale las marcas de alineación superiores e inferiores, posicione el marco superior, sobre el visor y sello facial, alineando las marcas verticales centrales, luego presione en su lugar.
2. Posicione el marco inferior, alineando la marca vertical central, y presione en su lugar (Fig. 22).
3. Inserte y apriete los tornillos Phillips. Asegúrese las partes estén bien alineadas y selladas.

