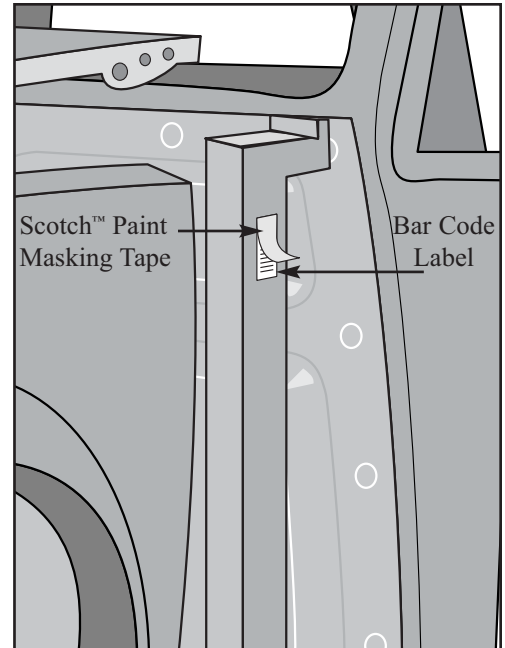
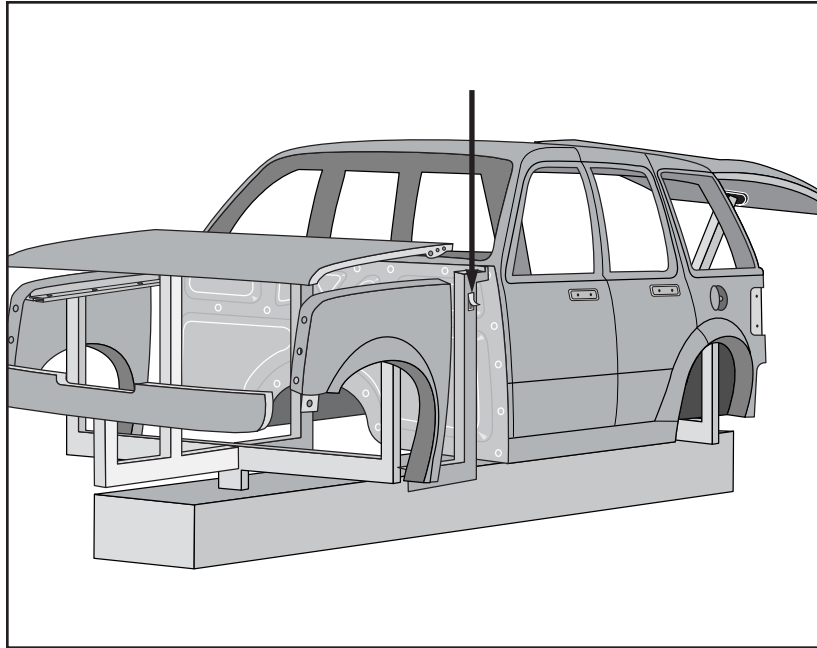


3M Application Profile

Market: Automotive Manufacturing Processes

Application Description: Masking Body Jig Barcode



Application Method

By hand.

Key Application Requirements

Protect the barcode from paint overspray so that the body may be matched with the appropriate chassis and fascia during the assembly process. Must withstand up to 300° F (148° C) up to 30 minutes, provide complete coverage and leave no adhesive residue upon removal.

Benefits/Advantages To Customer

3M™ adhesive: Sticks instantly and easily, allowing fast application and clean removal after bake cycle.

Controlled crepe paper backing: Smooth surface provides good surface contact and secure holding to the barcode label, while allowing easy removal.

Conformable: Easy handling allows quick application.

Excellent holding power: Resists lifting or curling, helping to protect the barcode.

Excellent high temperature performance: Scotch™ Paint Masking Tape 231/231A for temperatures up to 300° F (148° C) up to 30 minutes, firmly holding under heat strain during the oven bake cycle and allowing easy removal afterwards.

Easy to use: Easy tear provides good handling; dead stretch allows minimal recovery, making it easy to apply over the barcode label.

Special backsize treatment: Provides controlled unwind, making the tape easy to use and helping to reduce waste.

PRODUCT

Scotch™ Paint Masking
Tape 231/231A

3M Industrial &
Transportation Business

Process

Scotch™ Paint Masking Tape 231/231A is pulled off a roll and applied over the barcode label on the body jig to completely cover the label. The masking tape is cleanly removed after the painted body has been baked in the paint oven.

Related Products

Scotch™ High Performance Masking Tape 2693
Scotch™ Performance Masking Tape 2380, 2364
Scotch™ Premium High Temperature Masking Tape 2393,

Related Application Ideas

Masking barcode labels on body jigs for passenger cars, minivans and light trucks.

Key Decision Makers

Production Manager
Paint Shop Manager

For Additional Information

To request additional product information or to arrange for sales assistance, call 1-800-362-3550. Address correspondence to: 3M Industrial Business Customer Response Center, Building 21-1W-10, 900 Bush Avenue, St. Paul, MN 55106. Our fax number is 651-733-9175. In Canada, phone: 1-800-364-3577. In Puerto Rico, phone: 1-787-750-3000. In Mexico, phone: 52-70-04-00.

Product Use

All statements, technical information and recommendations contained in this document are based upon tests or experience that 3M believes are reliable. However, many factors beyond 3M's control can affect the use and performance of a 3M product in a particular application, including the conditions under which the product is used and the time and environmental conditions in which the product is expected to perform. Since these factors are uniquely within the user's knowledge and control, it is essential that the user evaluate the 3M product to determine whether it is fit for a particular purpose and suitable for the user's method of application.

Warranty and Limited Remedy

Unless stated otherwise in 3M's product literature, packaging inserts or product packaging for individual products, 3M warrants that each 3M product meets the applicable specifications at the time 3M ships the product. Individual products may have additional or different warranties as stated on product literature, package inserts or product packages. **3M MAKES NO OTHER WARRANTIES, EXPRESS OR IMPLIED, INCLUDING, BUT NOT LIMITED TO, ANY IMPLIED WARRANTY OF MERCHANTABILITY OR FITNESS FOR A PARTICULAR PURPOSE OR ANY IMPLIED WARRANTY ARISING OUT OF A COURSE OF DEALING, CUSTOM OR USAGE OF TRADE.** User is responsible for determining whether the 3M product is fit for a particular purpose and suitable for user's application. If the 3M product is defective within the warranty period, your exclusive remedy and 3M's and seller's sole obligation will be, at 3M's option, to replace the product or refund the purchase price.

Limitation of Liability

Except where prohibited by law, 3M and seller will not be liable for any loss or damage arising from the 3M product, whether direct, indirect, special, incidental, or consequential, regardless of the legal theory asserted, including warranty, contract, negligence, or strict liability.

