

PARTS LIST FOR PT# 20230 & 25123, 20000 RPM, 2", .33 HP DISC SANDER

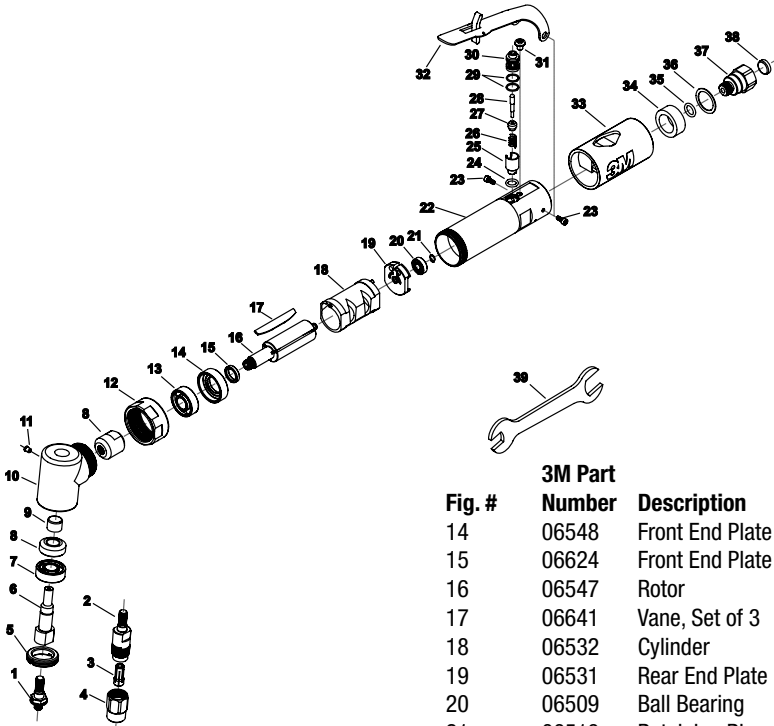


Fig. #	3M Part Number	Description
1	06582	Sander Adapter
2	06583	Collet Body
3	06528	Collet (1/4")
3	06529	Collet (1/8")
3	06530	Collet (3/16")
3	06540	Collet (3 mm)
3	06541	Collet (6 mm)
4	06516	Collet Nut
5	06633	Lock Nut
6	06581	Output Shaft
7	06611	Ball Bearing
8	06645	Bevel Gear Set
9	06505	Needle Bearing
10	06551	Angle Head Assembly (Includes Figures 9 & 11)
11	06523	Grease Fitting
12	06549	Clamp Nut
13	06510	Ball Bearing 3/8" x 7/8" x 9/32"

Fig. #	3M Part Number	Description
14	06548	Front End Plate
15	06624	Front End Plate Spacer
16	06547	Rotor
17	06641	Vane, Set of 3
18	06532	Cylinder
19	06531	Rear End Plate
20	06509	Ball Bearing
21	06519	Retaining Ring
22	06533	Housing Assembly (Includes Figures 23-32)
23	06500	Socket Head Cap Screw, 4-40 (2)
24	06512	O-Ring
25	06536	Speed Control Valve
26	06517	Spring
27	06514	Rubber Valve
28	06537	Valve Plunger
29	06515	O-Ring (2)
30	06535	Valve Body
31	06502	Screw 8-32 x 3/16" Pan Phil Mac
32	06538	Safety Lever Assembly
33	06606	Grip
34	06539	Silencer Pad
35	06513	O-Ring
36	06525	Washer
37	06534	Inlet Adapter
38	06623	Screen
39	06586	7/16" x 11/16" Wrench (2)

PARTS LIST FOR PT# 20231 & 25124, 20000 RPM, 2", .5 HP DISC SANDER

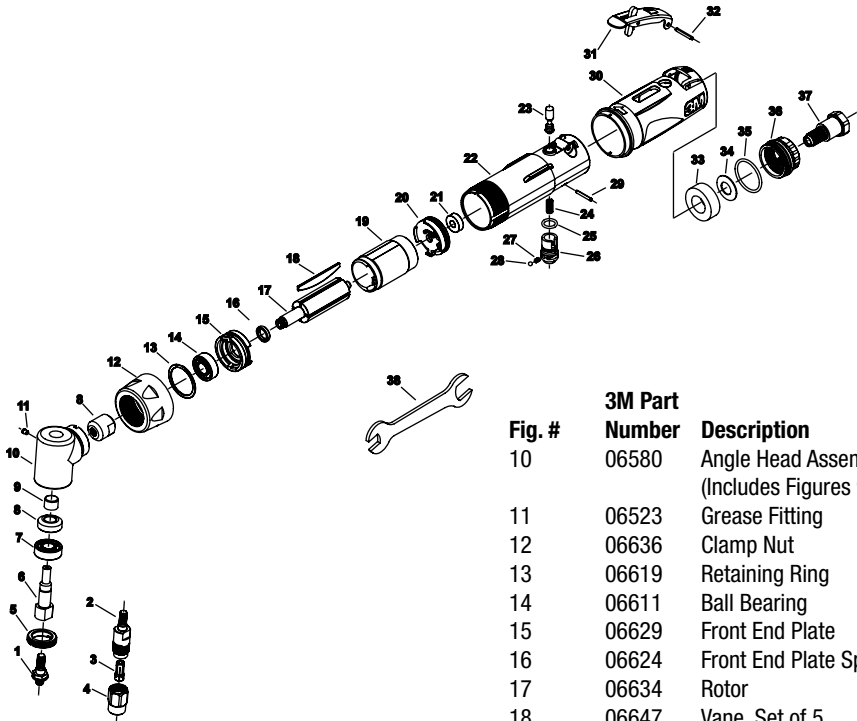


Fig. #	3M Part Number	Description
1	06582	Sander Adapter
2	06583	Collet Body
3	06528	Collet (1/4")
3	06529	Collet (1/8")
3	06530	Collet (3/16")
3	06540	Collet (3 mm)
3	06541	Collet (6 mm)
4	06516	Collet Nut
5	06633	Lock Nut
6	06581	Output Shaft
7	06611	Ball Bearing
8	06645	Bevel Gear Set
9	06505	Needle Bearing

Fig. #	3M Part Number	Description
10	06580	Angle Head Assembly (Includes Figures 9 & 11)
11	06523	Grease Fitting
12	06636	Clamp Nut
13	06619	Retaining Ring
14	06611	Ball Bearing
15	06629	Front End Plate
16	06624	Front End Plate Spacer
17	06634	Rotor
18	06647	Vane, Set of 5
19	06631	Cylinder Liner
20	06630	Rear End Plate
21	06612	Ball Bearing
22	06625	Housing
23	06626	Trigger Valve Stem
24	06614	Compression Spring
25	06620	O-Ring
26	06627	Air Regulator
27	06613	Compression Spring
28	06622	Steel Ball
29	06616	Pin
30	06599	Housing Cover, .5 HP
31	06635	Paddle Assembly
32	06617	Roll Pin
33	06632	Muffler Material
34	06615	Disc Spring
35	06621	O-Ring
36	06628	Exhaust Deflector
37	06618	Inlet Bushing
38	06586	7/16" x 11/16" Wrench (2)

PARTS LIST FOR PT# 20232 & 25125, 15000 RPM, 3", 1 HP DISC SANDER

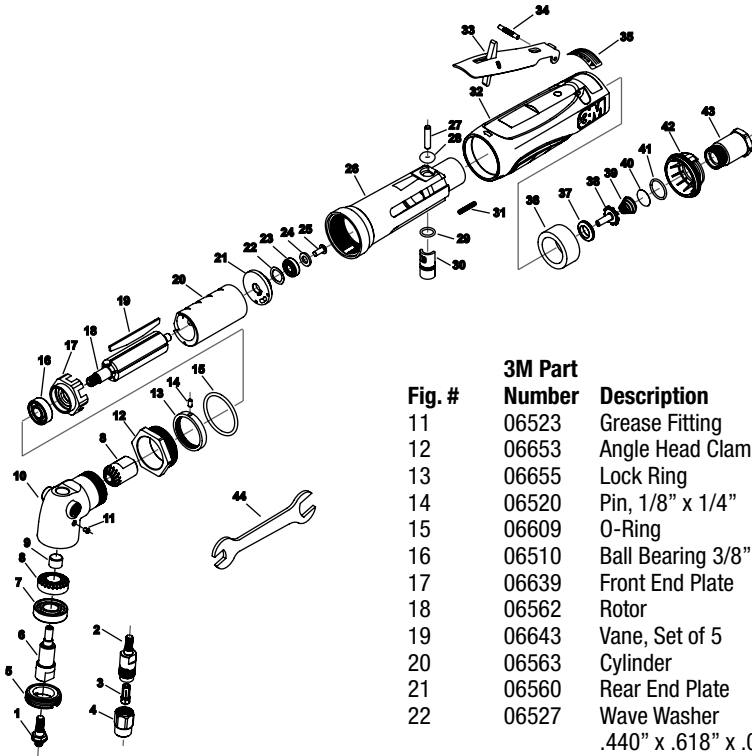


Fig. #	3M Part Number	Description
1	06582	Sander Adapter
2	06583	Collet Body
3	06528	Collet (1/4")
3	06529	Collet (1/8")
3	06530	Collet (3/16")
3	06540	Collet (3 mm)
3	06541	Collet (6 mm)
4	06516	Collet Nut
5	06578	Bearing Retainer
6	06591	Output Shaft
7	06507	Ball Bearing
8	06646	Spiral Bevel Gear Set
9	06505	Needle Bearing
10	06637	Angle Head Assembly (Includes Figures 9 & 11)

Fig. #	3M Part Number	Description
11	06523	Grease Fitting
12	06653	Angle Head Clamp Nut
13	06655	Lock Ring
14	06520	Pin, 1/8" x 1/4"
15	06609	O-Ring
16	06510	Ball Bearing 3/8" x 7/8" x 9/32"
17	06639	Front End Plate
18	06562	Rotor
19	06643	Vane, Set of 5
20	06563	Cylinder
21	06560	Rear End Plate
22	06527	Wave Washer .440" x .618" x .008"
23	06508	Ball Bearing
24	06567	Washer .251" x .468" x .063"
25	06568	Screw #8-32 x 3/8" But Hd Cap
26	06638	Housing
27	06558	Torr Pin, 3/16" x 7/8"
28	06543	O-Ring
29	06511	O-Ring
30	06556	Regulator
31	06501	Screw, 6-32 x 3/4" Set Soc Hex
32	06598	Housing Cover
33	06642	Lever
34	06559	Groove Pin, 1/8" x 7/8" Type E
35	06566	Warning Label
36	06557	Muffler
37	06552	Throttle Valve Seat
38	06553	Throttle Valve
39	06554	Taper Spring
40	06555	Screen
41	06608	O-Ring, 1/16" x 5/8" x 3/4"
42	06604	Rotatable Exhaust Deflector
43	06605	Inlet Bushing
44	06586	7/16" x 11/16" Wrench (2)