

**PARTS LIST FOR PT# FOR 20233, 25000 RPM, 3", & 20234, 20000, RPM, 4"
CUT-OFF TOOLS**

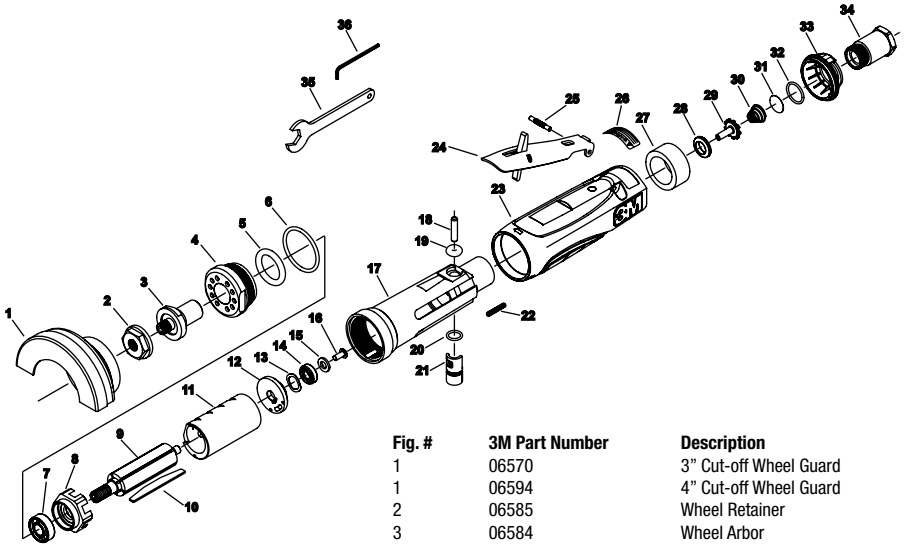


Fig. #	3M Part Number	Description
1	06570	3" Cut-off Wheel Guard
1	06594	4" Cut-off Wheel Guard
2	06585	Wheel Retainer
3	06584	Wheel Arbor
4	06565	Retainer
5	06579	O-Ring 7/8" x 1/4" x 3/16"
6	06609	O-Ring
7	06510	Ball Bearing 3/8" X 7/8" X 9/32"
8	06639	Front End Plate
9	06561	Rotor
10	06643	Vane, Set of 5
11	06563	Cylinder (25,000 RPM)
11	06601	Cylinder (20,000 RPM)
12	06560	Rear End Plate
13	06527	Wave Washer .440" X .618" X .008"
14	06508	Ball Bearing
15	06567	Washer .251" X .468" X .063"
16	06568	Screw #8-32 X 3/8" But Hd Cap
17	06638	Housing
18	06558	Torr Pin, 3/16" X 7/8"
19	06543	O-Ring
20	06511	O-Ring
21	06556	Regulator
22	06501	Screw, 6-32 X 3/4" Set Soc Hex
23	06598	Housing Cover
24	06642	Lever
25	06559	Groove Pin, 1/8" X 7/8" Type E
26	06566	Warning Label
27	06557	Muffler
28	06552	Throttle Valve Seat
29	06553	Throttle Valve
30	06554	Taper Spring
31	06555	Screen
32	06608	O-Ring, 1/16" X 5/8" X 3/4"
33	06604	Rotatable Exhaust Deflector
34	06605	Inlet Bushing
34	06607	Inlet Bushing, 3/8" NPT (4")
35	06522	7/8" Wrench
36	06610	3/16" Hex Wrench

PARTS LIST FOR PT# FOR 20243, 12000 RPM, 4 1/2", 20235, 12000 RPM, 5", & 20236, 10000 RPM, 6" ANGLE CUT-OFF TOOLS

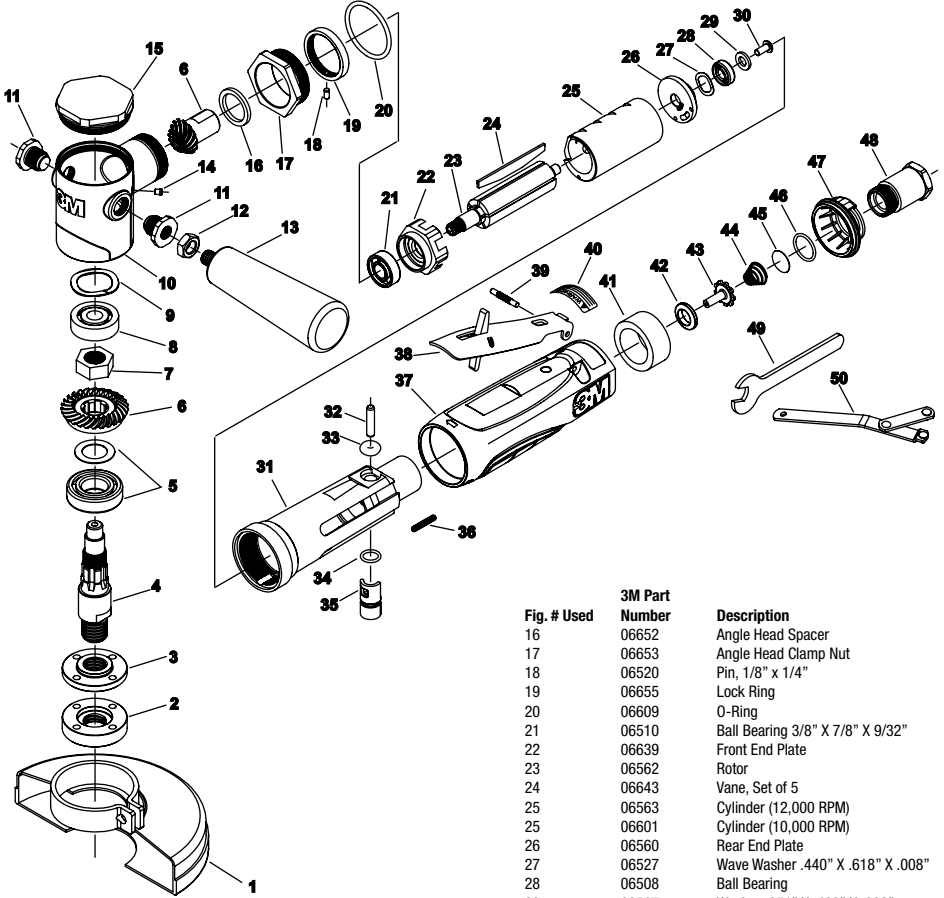


Fig. #	3M Part Number	Description
1	06597	4 1/2" Cut-off Guard
1	06595	5" Cut-off Guard
1	06596	6" Cut-off Guard
2	06590	Wheel Retainer
3	06589	Wheel Arbor
4	06651	Output Spindle
5	06648	Gear Spacer and Ball Bearing
6	06644	Spiral Bevel Gear Set
7	06504	Elastic Stop Nut 9/16"-18
8	06542	Ball Bearing
9	06550	Wave Washer
10	06649	HD Angle Head
11	06654	Hex Head Plug Bolt (2)
12	06503	Jam Nut
13	06526	Handle
14	06523	Grease Fitting
15	06650	Angle Head Cap

Fig. # Used	3M Part Number	Description
16	06652	Angle Head Spacer
17	06653	Angle Head Clamp Nut
18	06520	Pin, 1/8" x 1/4"
19	06655	Lock Ring
20	06609	O-Ring
21	06510	Ball Bearing 3/8" X 7/8" X 9/32"
22	06639	Front End Plate
23	06562	Rotor
24	06643	Vane, Set of 5
25	06563	Cylinder (12,000 RPM)
25	06601	Cylinder (10,000 RPM)
26	06560	Rear End Plate
27	06527	Wave Washer .440" X .618" X .008"
28	06508	Ball Bearing
29	06567	Washer .251" X .468" X .063"
30	06568	Screw #8-32 X 3/8" But Hd Cap
31	06638	Housing
32	06558	Torr Pin, 3/16" X 7/8"
33	06543	O-Ring
34	06511	O-Ring
35	06556	Regulator
36	06501	Screw, 6-32 X 3/4" Set Soc Hex
37	06598	Housing Cover
38	06642	Lever
39	06559	Groove Pin, 1/8" X 7/8" Type E
40	06566	Warning Label
41	06557	Muffler
42	06552	Throttle Valve Seat
43	06553	Throttle Valve
44	06554	Taper Spring
45	06555	Screen
46	06608	O-Ring, 1/16" X 5/8" X 3/4"
47	06604	Rotatable Exhaust Deflector
48	06607	Inlet Bushing, 3/8" NPT (4")
49	06524	5/8" Wrench
50	06544	Adjustable Spanner Wrench