

**PARTS LIST FOR PN 28407, 18,000 RPM, 4" CUT-OFF WHEEL, EXTENDED**

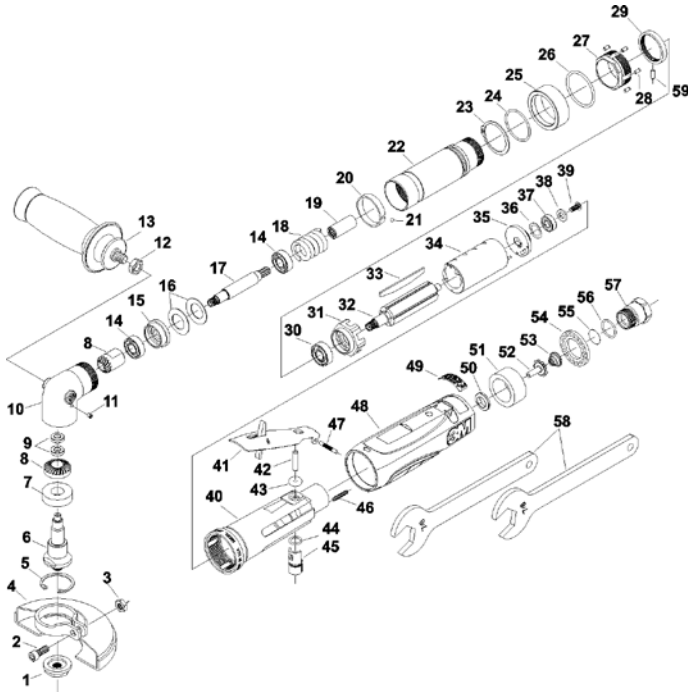


Fig. number	3M P/N	Description	Qty				
1	06585	Wheel Retainer	1	34	06563	Cylinder	1
2	55076	Socket Head Hex Screw, 1/4-20	1	35	06560	Rear End Plate	1
3	55083	Hex Nut, 1/4-20	1	36	06527	Wave Washer .440" x .618" x .008"	1
4	55104	4" Cutoff Guard	1				
5	55088	Retaining Ring	1	37	06508	Ball Bearing	1
6	55105	4" Type 1 COW Output Spindle	1	38	06567	Washer .251" x .468" x .063"	1
7	55078	Ball Bearing	1	39	06568	Screw #8-32 x 3/8 But Hd Cap	1
8	30434	Bevel Gear Set (12K RPM)	1	40	06638	Housing	1
9	55114	Ball Bearing .500" x .25" x .125" (2)	2	41	06642	Lever	1
10	55111	Angle Head	1	42	06558	Torr Pin, 3/16" x 7/8"	1
11	06523	Grease Fitting	1	43	06543	O-Ring	1
12	06503	Jam Nut	1	44	06511	O-Ring	1
13	28402	Side Handle 3/8-16 EXT Thread, 3M PN28402	1	45	06556	Regulator	1
14	06510	Ball Bearing 3/8" x 7/8" x 9/32"	1	46	06501	Screw, 6-32 x 3/4 Set Soc Hex	1
15	55092	Bearing Holder	1	47	06559	Groove Pin, 1/8" x 7/8" Type E	1
16	55110	Disc Spring (2)	2	48	06598	Housing Cover	1
17	55093	Shaft	1	49	06566	Warning Label	1
18	55097	Spring	1	50	06552	Throttle Valve Seat	1
19	55091	Coupler	1	51	06557	Muffler	1
20	55095	Retainer	1	52	06553	Throttle Valve	1
21	55077	Set Screw	1	53	06554	Taper Spring	1
22	55096	Extension Housing	1	54	55084	Exhaust Deflector	1
23	55103	Retaining Ring	1	55	06555	Screen	1
24	55079	O-Ring	1	56	06608	O-Ring, 1/16" x 5/8" x 3/4"	1
25	55090	Cover	1	57	55107	Bushing, 3/8" NPT	1
26	06609	O-Ring	1	58	6522	Wrench, 7/8" Flat (2)	2
27	55089	Locking Clamp Nut	1	59	55217	6-32 x 1/4" Socket Head Set Screw	1
28	06520	Pin, 1/8" x 1/4"	5				
29	55218	Lock Ring with 6-32 Thread	1				
30	06510	Ball Bearing 3/8" x 7/8" x 9/32"	1				
31	06639	Front End Plate	1				
32	06562	Rotor	1				
33	06643	Vane, Set of 5	1				