

3M

Fire Barrier

Cast-In Device Height Adapter



Product Data

1. Product Description

3M™ Fire Barrier Cast-In Device Height Adapter (3M HA) is a unique one-piece plastic body assembly.

The 3M HA is used primarily in new installations and is designed to accommodate unlimited concrete thickness and pipe sizes from 1-1/2 in. to 4 in. at this time.

The 3M HA, when used in conjunction with 3M CID, achieves up to a 3 hour F and T rating when tested by Underwriters Laboratories, Inc. in accordance with ASTM E 814 (UL 1479).

3M Fire Barrier HA Features

- Easy installation, annular space allows for easier pipe installation
- One piece
- All plastic construction, no cardboard.
- Extension snaps in place on 3M CID, no additional fastening required
- Can be adapted to any concrete thickness
- Red color-easily identified as a fire rated device.
- Factory made, assures consistent quality.

2. Applications

The 3M Fire Barrier Cast-in Device Height Adapter is used to adapt 3M CID's for use in unlimited concrete thickness. The adapter may be used with plastic or metal 3M CID's. It may be used with drain, waste and vent or closed pipe systems. See manufacturer's instruction sheet supplied with

each device for exact type of pipes covered and hourly ratings.

3. Physical Properties

See Attached Tables.

4. Specifications

Installation shall be in strict accordance with manufacturer's written instructions, as shown on approved shop drawings.

The device shall also be classified by Underwriter's Laboratory, Inc. as a through-penetration firestop device when tested in accordance to ASTM E 814 (UL 1479) for up to a 3 hr. rating.

All penetrations must be firestopped with a UL Classified System or device as listed in current UL Fire Resistance Directory or have approved shop drawings prior to installation.

Suitability for the intended application should be determined prior to installation.

5. Performance

- UL test per ASTM E 814 (UL 1479)
- UL Classified for 2 and 3 hour fire (F) rating, 1 and 3 hour temperature (T) rating. See UL Fire Resistance Directory under Through-Penetration Firestop Device (XHCR) R9629(N)

6. Installation

Refer to Installation Instructions for 3M Fire Barrier Cast-In Device Height Adapter. The back page shows a typical installation.

7. Maintenance

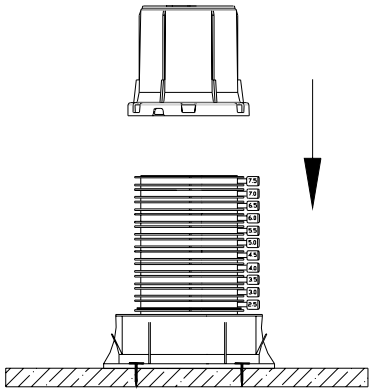
3M Fire Barrier Cast-In Device Height Adapters are stable under normal storage conditions. Normal stock and stock rotation practices are recommended.

8. Purchase Information

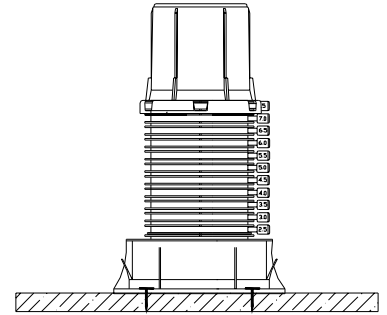
3M Fire Barrier HA is available from 3M Authorized Fire Protection Distributors. For information on where to buy, go to www.3m.com/firestop or call (800) 328-1687.

9. Safe Handling Information

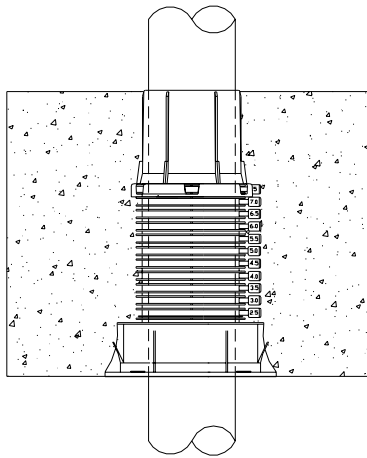
Consult Material Safety Data Sheet prior to handling and disposing of 3M Fire Barrier HA.



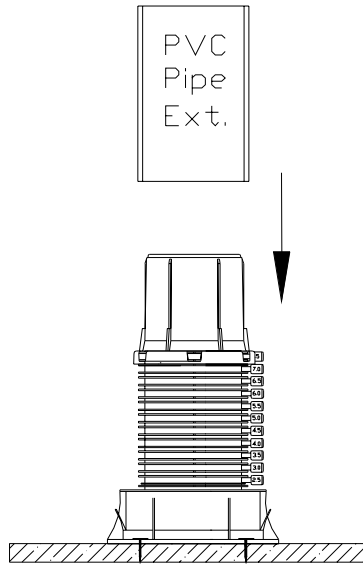
Position CID and line up slot and arrow on height adjuster with tab on CID



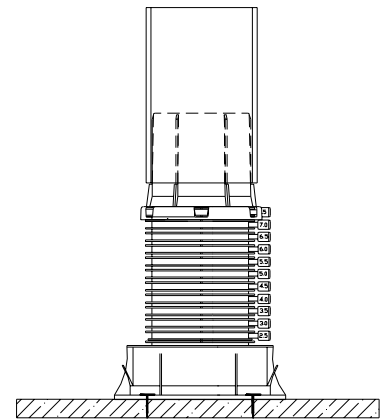
Snap height adjuster onto CID



Completed 12 in. pour



PVC extension for concrete greater than 12 in. thick.



CID with height adjuster and PVC extension ready for 16 inch concrete pour

Warranty and Limited Remedy. This product will be free from defects in material and manufacture for a period of ninety (90) days from date of purchase. **3M MAKES NO OTHER WARRANTIES INCLUDING, BUT NOT LIMITED TO, ANY IMPLIED WARRANTY OF MERCHANTABILITY OR FITNESS FOR A PARTICULAR PURPOSE.** User is responsible for determining whether the 3M product is fit for a particular purpose and suitable for user's method of application. If this 3M product is proved to be defective within the warranty period stated above, your exclusive remedy and 3M's sole obligation shall be, at 3M's option, to replace or repair the 3M product or refund the purchase price of the 3M product.

Limitation of Liability. Except where prohibited by law, 3M will not be liable for any loss or damages arising from the use of this 3M product, whether direct, indirect, special, incidental or consequential, regardless of the legal theory asserted, including warranty, contract, negligence or strict liability.

3M

Consumer Safety and Light Management Department

3M Center 223-2S-24
St. Paul, MN 55144-1000
(800) 328-1687
www.3m.com/firestop

Printed in U.S.A

© 3M 2003 98-0213-4314-4