

3M ScotchPad™ Carry Handle

Application Guide

March, 2006

The following are recommended application techniques for use with 3M™ ScotchPad™ Carry Handles. Contact your 3M technical service engineer for assistance to insure application success.

Application Surfaces

Recommended Surfaces

- Paperboard printed and unprinted.
- Corrugated cardboard.
- Polyethylene and polypropylene (strong shrink film/poly bags).
- Polyester film.
- Polyvinyl chloride (PVC) film.

Surfaces That Should Be Reviewed For Suitability

- Wax coated/siliconized surfaces.
- Wet surfaces (moisture condensation).
- Cold surfaces (< 50°F [10°C]).
- Some lacquer coated board.
- Rough textured surfaces on which tape surface contact is significantly reduced.

Maximum Package Weight Limits

Maximum Package Weight lbs. (kg.)*	3M™ ScotchPad™ Carry Handle**	Standard Carry Handle Size***
10 (4.5)	8325 / 8326	1" x 17" x 3"
15 (6.8)	8325 / 8326	1 ³ / ₈ " x 17" x 3" or 1 ³ / ₈ " x 23" x 6"
20 (9.1)	8327 / 8328	1" x 17" x 3"
30 (13.6)	8327 / 8328	1 ³ / ₈ " x 23" x 6"
40-50 lbs.	8329	Custom Only

* - User must be sure not to exceed maximum package weight limit

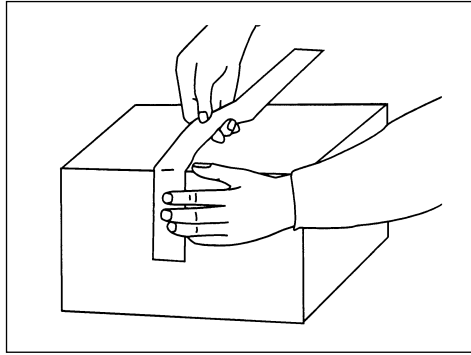
** - 3M™ ScotchPad™ Carry Handles 8325/8327 are custom printed; 3M™ ScotchPad™ Carry Handles 8326/8328 are white, unprinted.

*** - Custom sizes are also available; contact 3M for details.

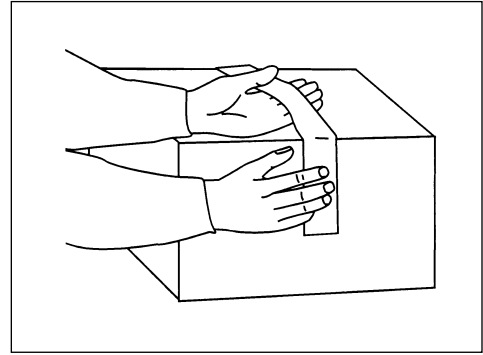
Application Guide

3M™ ScotchPad™ Carry Handle

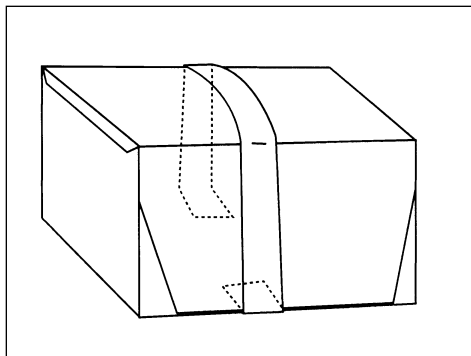
Application Instructions



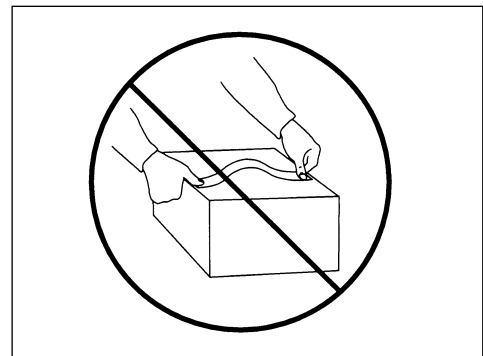
Apply to side of package. Press full length of adhesive leg firmly onto one side. Use only one handle per package.



Lay across top of package using hand to form snug loop; press full length of adhesive leg firmly onto the opposite side.



When applying handle to box with overlapped flaps which are not sealed down, the adhesive portion of the handle must be applied to the side and bottom of box.



Do **not** apply the majority of the entire adhesive portion of the handle to top of box. Adhesive legs must be placed on the package side (vertical dimension) to insure application success.

- Prior to use, storage of handles at 70°F (21°C) and 40-50% relative humidity is recommended.
- Select appropriate 3M™ ScotchPad™ Carry Handle to meet package weight limit.
- Select appropriate 3M™ ScotchPad™ Carry Handle size to insure a snug fit on package. (Avoid excessive carry handle loop which can increase potential of peeling off package.)
- Remove a single handle from pad and apply one end to side of package. Press full length of adhesive tape leg firmly onto package side with hand pressure.
- Lay handle across top of package using hand to form a loop; press full length of remaining adhesive tape leg firmly onto the opposite side with hand pressure.
- Use only one carry handle per package.
- When applying handle to a box with over-lapped flaps which are not sealed down, the adhesive portion of the handle must be applied to the side and bottom of box.
- Do **not** apply the adhesive portion of the handle to top of box. Adhesive legs must be positioned on the package sides (vertical dimension) to insure application success.

Application Guide

3M™ ScotchPad™ Carry Handle

Product Use

All statements, technical information and recommendations contained in this document are based upon tests or experience that 3M believes are reliable. However, many factors beyond 3M's control can affect the use and performance of a 3M product in a particular application, including the conditions under which the product is used and the time and environmental conditions in which the product is expected to perform. Since these factors are uniquely within the user's knowledge and control, it is essential that the user evaluate the 3M product to determine whether it is fit for a particular purpose and suitable for the user's method of application.

Warranty and Limited Remedy

Unless stated otherwise in 3M's product literature, packaging inserts or product packaging for individual products, 3M warrants that each 3M product meets the applicable specifications at the time 3M ships the product. Individual products may have additional or different warranties as stated on product literature, package inserts or product packages. 3M MAKES NO OTHER WARRANTIES, EXPRESS OR IMPLIED, INCLUDING, BUT NOT LIMITED TO, ANY IMPLIED WARRANTY OF MERCHANTABILITY OR FITNESS FOR A PARTICULAR PURPOSE OR ANY IMPLIED WARRANTY ARISING OUT OF A COURSE OF DEALING, CUSTOM OR USAGE OF TRADE. User is responsible for determining whether the 3M product is fit for a particular purpose and suitable for user's application. If the 3M product is defective within the warranty period, your exclusive remedy and 3M's and seller's sole obligation will be, at 3M's option, to replace the product or refund the purchase price.

Limitation of Liability

Except where prohibited by law, 3M and seller will not be liable for any loss or damage arising from the 3M product, whether direct, indirect, special, incidental or consequential, regardless of the legal theory asserted, including warranty, contract, negligence or strict liability.

ISO 9001:2000

This Industrial Adhesives and Tapes Division product was manufactured under a 3M quality system registered to ISO 9001:2000 standards.



Industrial Business Industrial Adhesives and Tapes Division

3M Center, Building 21-1W-10, 900 Bush Avenue
St. Paul, MN 55144-1000
800-362-3550 • 877-369-2923 (fax)
www.3M.com/industrial



Recycled Paper
40% pre-consumer
10% post-consumer

Printed in U.S.A.
©3M 2006 70-0710-0344-9 (3/06)