

3M Company
Design No. 3MU/FRD 120-18
Fire Resistant Grease Duct
3M Fire Barrier™ Duct Wrap 615+

ASTM E2336-16 and
ICC-ES Acceptance Criteria for Grease Duct Enclosure Systems (AC101)¹

Noncombustibility Test (ASTM E 136) – Pass
 Fire Resistance Test (ASTM E 119) – 2 hr Durability Test (ASTM C 518 modified) – Pass
 Internal Fire Test – 4 hr @ 500°F and 30 minutes @ 2000°F – Pass
 Fire-Engulfment Test (ASTM E 119 Exposure) – 2 hr

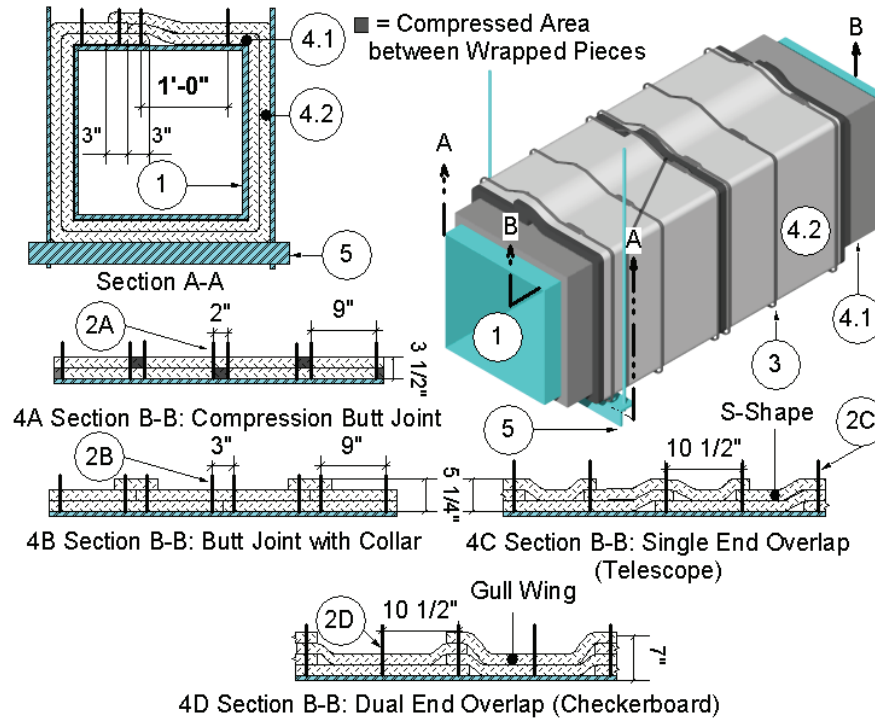


Figure 1

- 1. GREASE DUCT:** Use a continuously- welded, liquid-tight, L-shaped, rectangular duct system with horizontal and vertical shafts constructed of 16 GA sheet steel with a maximum 2304 in.2 area and a maximum 48-in. dimension. When required, equip the duct with a pre-fabricated access door (Item 6) or field- fabricated access door (Item 7).
 - A.** Construct the grease duct using sections affixed to each other with welded joints.
 - B.** Reinforce the grease duct to IMC or NFPA 96 requirements designed to carry the weight of the grease duct assembly covered with two layers of insulation (Item 4) under a fire load equivalent to the ASTM E 2336 exposure and the ASTM E 119 time- temperature curve.
 - C.** Rigidly support the grease duct (Item 1) as specified in Item 5 or in accordance with IMC or NFPA 96 requirements when those requirements are greater.
 - D.** Protect the annular space around the grease duct (Item 1) passing through a fire-rated assembly with an Intertek- certified, compatible, 3M, penetration firestop system, refer to Section 10, having the same fire rating as the assembly.
- 2. FASTENERS:** Refer to Figure 1. Weld minimum 12 GA, 6-1/2 in. long, copper- coated, steel insulation pins or 12 GA, insulated cup head steel pins to the grease duct (Item 1). Match the following fastener method with corresponding insulation (Item 4) method.
 - A. Compression Butt Joint:** Refer to 4A Section View B-B. Locate pins at all blanket overlaps, on all sides of the grease duct (Item 1), and meet the following requirements.
 - i.** Space pins maximum 12 in. apart in rows across the width of grease duct (Item 1). Locate pins maximum 6-3/4 in. from the edges of the grease duct (Item 1). Refer to section view A-A.

¹ ACCEPTANCE CRITERIA FOR GREASE DUCT ENCLOSURE ASSEMBLIES, AC101, Approved April 2001 (Editorially revised October 2004) states, "The system may be installed with zero clearance from the insulating materials to combustibles".

- ii. Space the rows of pins as follows: use pattern nominal 9 in. apart, then maximum 2 in. apart, then nominal 9 in. apart along the length of the grease duct (Item 1). Refer to Item 4A section view B-B.
- iii. After insulation (Item 4A) is installed, place minimum 2-1/2 × 2-1/2 in. square, galvanized steel, self locking washer clips onto all insulation pins.
- iv. After clips are installed, cut off or bend flush with insulation (Item 4A) the pins that are too long.

B. Butt Joint with Collar: Refer to 4B Section View B-B. Locate pins at all blanket overlaps, on all sides of the grease duct (Item 1), and meet the following requirements.

- i. Space pins maximum 12 in. apart in rows across the width of grease duct (Item 1). Locate pins maximum 6-3/4 in. from the edges of the grease duct (Item 1). Refer to section view A-A.
- ii. Space the rows of pins as follows: use pattern nominal 9 in. apart, then maximum 3 in. apart, then nominal 9 inches apart along the length of the grease duct (Item 1). Refer to Item 4B section view B-B.
- iii. After insulation (Item 4B) is installed, place minimum 2-1/2 × 2-1/2 in. square, galvanized steel, self-locking washer clips onto all insulation pins.
- iv. After clips are installed, cut off or bend flush with insulation (Item 4B) the pins that are too long.

C. Single End Overlap (Telescope): Refer to 4C Section View B-B. Locate pins at all blanket overlaps, on all sides of the grease duct (Item 1), and meet the following requirements.

- i. Space pins maximum 12 in. apart in rows across the width of grease duct (Item 1). Locate pins maximum 6-3/4 in. from the edges of the grease duct (Item 1). Refer to section view A-A.
- ii. Space the rows of pins maximum 10-1/2 in. apart along the length grease duct (Item 1). Where pieces of insulation (Item 4C) are butted together, space pins a maximum 1-1/2 in. from the edge of the insulation. Refer to Item 4C section view B-B.
- iii. After insulation (Item 4C) is installed, place minimum 2-1/2 × 2-1/2 in. square, galvanized steel, self-locking washer clips onto all insulation pins.
- iv. After clips are installed, cut off or bend flush with insulation (Item 4C) the pins that are too long.

D. Dual End Overlap (Checkerboard): Refer to 4D Section View B-B. Locate pins at all blanket overlaps, on all sides of the grease duct (Item 1), and meet the following requirements.

- i. Space pins maximum 12 in. apart in rows across the width of grease duct (Item 1). Locate pins maximum 6-3/4 inches from the edges of the grease duct (Item 1). Refer to section view A-A.
- ii. Space the rows of pins maximum 10-1/2 in. apart along the length grease duct (Item 1). Where pieces of insulation (Item 4D) are butted together, space pins a maximum 1-1/2 in. from the edge of the insulation. Refer to Item 4D section view B-B.
- iii. After insulation (Item 4D) is installed, place minimum 2-1/2 × 2-1/2-in. square, galvanized steel, self-locking washer clips onto all insulation pins.
- iv. After clips are installed, cut off or bend flush with insulation (Item 4D) pins that are too long.

3. BANDING: Do not use banding for the installation of insulation method (Item 4A), Compression Butt Joint. Banding is an option to fastener methods (Items 2B, 2C and 2D) but not fastener method (Item 2A). After insulation (Item 4) is installed, apply minimum 1/2 in. wide, 0.015-in. thick stainless steel bands or minimum 1/2 inch wide, 0.020 in. thick carbon steel bands and secured with minimum 1 in. long stainless or carbon steel crimp clamps to be used with corresponding banding type. When needed to ease installation, use filament tape as a temporary hold for the insulation (Item 4) prior to banding. Place banding a maximum 1-1/2 in. from all insulation (Item 4) edges and a maximum of 10-1/2 in. on center (oc). Tension the banding to hold the insulation (Item 4) in place without cutting or damaging the insulation (Item 4) or grease duct (Item 1).

4. CERTIFIED MANUFACTURER: 3M Company

CERTIFIED PRODUCT: 3M Fire Barrier™ Duct Wrap

CERTIFIED MODEL: 615+

INSULATION: Apply the non-combustible (ASTM E136) and durable (ASTM C518) insulation in two layers of nominal 1-1/2 in. thick, 6 pcf density blanket, made of calcium-, silica-, and magnesium-oxide (CSM) fibers, encapsulated with polypropylene-foil or aluminized polyester-foil scrim over the entire surface of the grease duct (Item 1). Apply the inner first layer (Figure 1, 4.1) in accord with one of the four methods (A, B, C, or D) that follow. Offset the second outer layer (Figure 1, 4.2) one half the width of the inner first layer (Figure 1, 4.1) so that the joints of the inner first layer (Figure 1, 4.1) are covered by and approximately in the center of the second outer layer (Figure 1, 4.2). Apply the second outer layer (Figure 1, 4.2) in accord with the same method selected for the first inner layer (Figure 1, 4.1). Use blanket, available in various widths, that is fully encapsulated or single faced with a polypropylene-foil or polyester-foil scrim. Expose a foil-faced side of insulation to view. Wrap one layer of insulation around the grease duct (Item 1) perimeter so that each terminating end of insulation overlaps onto the starting end of insulation a minimum of 3 in. at all transverse joints. Stagger the transverse overlap location so that no two consecutive adjacent overlaps align. Refer to section view A-A for transverse overlap section view. Cover all visually-exposed ends and edges of insulation with nominal 4-inch wide, pressure-sensitive, aluminum foil tape.

A. Compression Butt Joint: Refer to Item 4A section view B-B. Wrap the grease duct (Item 1) with two layers of insulation installed with compression butt joints at all circumferential joints. Apply the first layer, center pieces of insulation (Item 4A) over 2 in. wide pin bay, so that each piece nominal 24 in. wide blanket occupies two (2) full 9 in. wide bays and three (3) full 2 in. wide bays. Compress each edge of each piece of insulation together and butt to preceding edge of insulation in 2- inch-wide bays. After installation, each piece of installed insulation width is 2 in. less than insulation nominal width. (Example: each piece of nominal 24 in. wide insulation when installed is 22 in. wide.) Verify all insulation butt joints are compressed minimum 50% at compression butt joints. Offset the second layer of insulation so that the compression butt joint of the first layer of insulation is centered under the second layer of insulation and install in same manner as first layer of insulation.

B. Butt Joint with Collar: Refer to Item 4B section view B-B. Wrap the grease duct (Item 1) with two layers of insulation installed with butt joints at all circumferential joints. Apply the first layer, center pieces of insulation (Item 4A) over 3 in. wide pin bay, so that each piece nominal 24 in. wide blanket occupies two (2) full 9 in. wide bays and one (1) full 3 in. wide bays and half of two (2) 3 in. wide bays at each circumferential edge. Butt each end of each piece of insulation together with preceding edge of insulation. Each piece of installed insulation width is its nominal width. (Example: each piece of nominal 24 in. wide insulation when installed is 24 in. wide.) Offset the second layer of insulation so that the butt joint of the first layer of insulation is centered under the second layer of insulation and install in same manner as first layer of insulation. Place and center 6 in. wide collar of insulation over the butt joint. Overlap 6-inch-wide collar onto each adjacent insulation 3 in. Verify all insulation butt joints with collars are three layers of insulation in overall thickness.

C. Single End Overlap (Telescope): Refer to Item 4C section view B-B. Wrap the grease duct (Item 1) with two layers of insulation installed with 3 in. minimum overlaps at all longitudinal joints. Overlap each adjacent insulation edge with the edge of the next piece of insulation. Verify all insulation overlaps are three layers of insulation in overall thickness.

- i. Starting at one end of the grease duct (Item 1), apply the first piece of insulation around the grease duct (Item 1) to overlap fasteners (Item 2C). Refer section view A-A.
- ii. Position and overlap the leading edge of the second piece of insulation nominally 3 in. over the flush edge of the first piece of insulation. Place the opposite edge of the second piece of insulation flush against the surface of the grease duct (Item 1). An “S-shaped” cross section of the insulation is created. Refer to Item 4C section view B-B.
- iii. Apply all additional pieces of insulation as “S-shaped” cross section of the insulation in compliance with Item 4Cii.
- iv. Position the second layer of insulation so that the joint of the first layer of insulation is centered under the second layer of insulation and install in same manner as first layer of insulation

D. Dual End Overlap (Checkerboard): Refer to Item 4D section view B-B. Verify all insulation overlaps are a minimum 3 in. in overall thickness. Do not align two consecutive insulation end overlaps. Overlap each full width insulation edge with the edge of the “gull wing” (-V-) shaped piece of insulation. Install insulation with zero clearance at the overlaps, or in the field between overlaps. Verify all insulation overlaps are four layers of insulation in overall thickness.

- i. Wrap the first piece of insulation around the grease duct (Item 1) so that the insulation is flush against the surface of the grease duct (Item 1). Position the starting end of the insulation to overlap pins (Item 2A) a minimum of 1-1/2 in. while the edges of the insulation overlap the rows of pins (Item 2B) a minimum of 1-1/2 in.
- ii. Position the second piece of insulation nominally 18 in. from the edge of the first piece of insulation. Install the second piece in the same manner as the first.
- iii. Cover the grease duct (Item 1) that is exposed between the edges of the first two pieces of insulation with another piece of insulation. Position the starting end of the insulation to overlap pins (Item 2A) a minimum of 1-1/2 in. while the edges of the insulation overlap the adjacent edges of the two pieces installed insulation a minimum of 1-1/2 in.
- iv. Position the second layer of insulation so that the first layer of insulation is centered under the second layer of insulation and install in same manner as first layer of insulation.

5. SUPPORTS: If the grease duct is 24 in. x 24 in. or smaller, support the grease duct (Item 1) with insulation (Item 4) using a un-insulated “trapeze” system composed of a minimum 2 x 2 x 1/8 in. steel angle as the trapeze cross- member and two (2), minimum 3/8 in. diameter, all-thread, steel rods connected using nuts and washers. For ducts larger than 24 in. x 24 in., support the grease duct (Item 1) with insulation (Item 4) using a un- insulated “trapeze” system composed of a minimum 2 x 2 x 1/4 in. steel angle as the trapeze cross-member and two (2), minimum 1/2 in. diameter, all- thread, steel rods connected using nuts and washers. Connect the all- thread steel rods to the bottom of the floor assembly using an attachment method designed to carry the weight of the grease duct (Item 1) with insulation (Item 4) under a fire load equivalent to ASTM E 119 time- temperature curve. Place one (1) all- thread steel rod at each end of trapeze cross-member. Center grease duct (Item 1) with insulation (Item 4) on trapeze cross-member. Space all- thread steel rods a maximum 6 inches from surface of the insulated grease duct or allowing all-thread steel rods to contact with the insulation (Item 4) at the minimum distance. Extend trapeze cross-member at least 2 in. past each all-thread, steel rod. Space trapeze supports a maximum 60 in. oc.

6. PRE-FABRICATED ACCESS DOORS: When required, apply a pre-fabricated access door and insulated cover plate as described in any of the options below:

A. CERTIFIED MANUFACTURER: 3M Company

CERTIFIED PRODUCT: 3M Fire Barrier™ Grease Duct Access Door

CERTIFIED MODELS:

- 000-51115-16584-9 (door for 20-in. x 20-in. opening),
- 000-51115-16583-2 (door for 12-in. x 8-in. opening), and
- 000-51115-16582-5 (door for 10-in. x 6-in. opening)

LISTED MANUFACTURER: Ductmate Industries, Inc.

LISTED PRODUCT: Grease Duct Access Door

LISTED MODELS: Ductmate Ultimate Door™

- D2020ULWS (door for 20-in. x 20- in. opening),
- D128ULWS (door for 12-in. x 8-in. opening), and
- D106ULWS (door for 10-in. x 6-in. opening)

Mark a clean-out access opening location on the grease duct (Item 1) with insulation (Item 4) at its mid- height along the horizontal section. Cut an opening (maximum 22 x 22 in.) in the insulation (Item 4) the same size as the outside dimension of the desired pre-fabricated access door model. Remove and discard the cut insulation (Item 4). Cut an opening (maximum 20 x 20 in.) into the side of the

grease duct (Item 1) according to the manufacturer's instructions for the size of the pre-fabricated access door to be installed. Install and tightly secure the pre-fabricated access door in accordance with the manufacturer's instructions to the grease duct (Item 1). Fit pre-fabricated access door with four (4), 3/8 in. diameter, corner- thumb bolts through the exterior face.

i. **CERTIFIED MANUFACTURER:** 3M Company

CERTIFIED PRODUCT: 3M Fire Barrier™ Duct Wrap

CERTIFIED MODEL: 615+

ACCESS INSULATION: Remove the four (4), 3/8 in. diameter, corner- thumb bolts and replace them with four (4), 3/8 in. diameter, all- thread, steel rods extending from pre-fabricated access door (Item 6A). Apply three (3) layers of access insulation over the pre-fabricated access door (Item 6A) as follows. Cut the first piece of rectangular access insulation a minimum 1/4 in. larger than the clean-out access opening. Position, square, and impale the first piece of the access insulation over the four (4), 3/8 in. diameter, all-thread, steel rods extending from pre-fabricated access door (Item 6A). Press the first piece of access insulation flush over the pre-fabricated access door (Item 6A). Compress and abut the cut edges of the first piece of the access insulation against the cut edges of opening in the insulation (Item 4). Cut a second piece of access insulation the same size as the first piece of access insulation. Press the second piece of access insulation flush over the first piece of access insulation. Compress and abut the cut edges of the first piece of the access insulation against the cut edges of opening in the insulation (Item 4). Cut a third piece of rectangular access insulation a minimum of 2 in. larger than the second piece of access insulation on all sides Seal cut edges of the third piece of access insulation with nominal 4 in. wide aluminum foil tape. Position, square, and impale the third piece of the access insulation over the four (4), 3/8 in. diameter, all-thread, steel rods extending from pre-fabricated access door (Item 6A). Press the third piece of access insulation flush over second piece of access insulation.

ii. **COVER PLATE:** Cut a cover plate to the same dimensions as the third piece of access insulation (Item 6B) using a minimum 16 GA steel sheet. Drill holes in the cover plate that match the location of the four (4), 3/8 in. diameter, all-thread, steel rods and locate the holes so that the cover plate is squared to the third piece of access insulation (Item 6B). After all three (3) layers of access insulation (Item 6B) are impaled over the four (4), 3/8 in. diameter, all-thread, steel rods install the cover plate. Pass the four (4), 3/8 in. diameter, all- thread, steel rods through the cover plate. Place washers and wing nuts onto each of the four (4), 3/8 in. diameter, all-thread, steel rods. Secure the cover plate by tightening wing nuts.

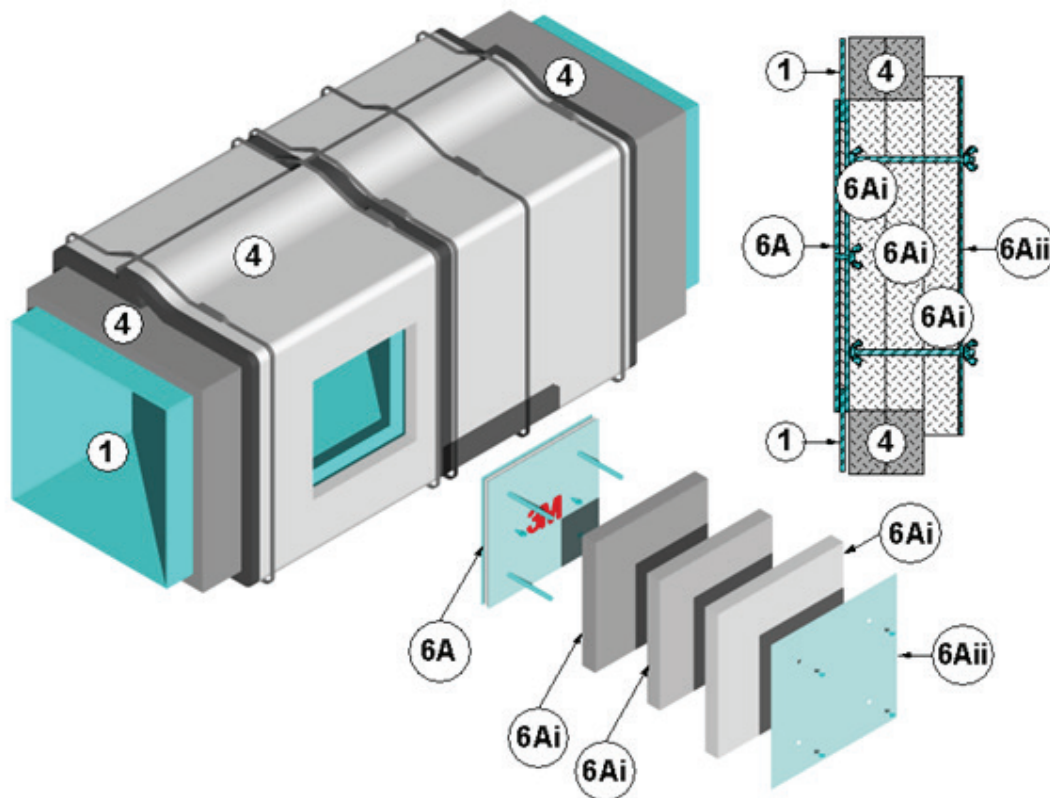


Figure 2a – 3M or Ductmate Pre-fabricated Access Door

B. **CERTIFIED MANUFACTURER:** Fire Shield, LLC

CERTIFIED PRODUCT: Grease Duct Access Door

CERTIFIED MODELS: Easy Access Grease Duct Access Door (up to 20-in. x 20-in. nominal)

- i. **Grease Duct Opening:** Select the desired location for the access door and mark the area to be cut out 1 in. larger than the nominal size of the access door. Remove any metal burrs from the cut edge.
- ii. **Base mounting plate:** Run a bead of silicone around the inside facing perimeter of the Base Mounting Plate, insert it through the grease duct opening (item 6Bi), center, and press against duct. Insert the 6-32 Phillip flat head screws and washers into Base Mounting Plate to center and secure it to duct.

- iii. Frame Assembly: Just prior to attaching the frame assembly, run a bead of silicone into the gap between the edge of the duct and the centering angle of the Base Mounting Plate. Center the frame assembly over the installed Base Mounting Plate (item 6Bii) and connect to the base with supplied 10-32 Phillips flat head screws.
- iv. Gasket Plate Assembly: Insert the gasket plate assembly into the Frame Assembly (item 6Biii) by sliding it vertically in until it is resting against the back of the opening, then push the plate in to allow the silicone gasket to fold up and seal against the sides of the base, and the top and bottom spring latches to engage.
- v. Duct Insulation: Install two layers of the certified grease duct insulation (Item 4) around the frame by cutting each later with a hole 1-1/2 in. greater in width and height than the nominal door size; install the insulation over and tight to the outside of the frame assembly (Item 6Bii), without seams.
- vi. Cover Assembly: Center the cover assembly over the frame assembly (Item 6Biii), compress it against the duct insulation (Item 4), and fasten it to the frame assembly with supplied 10-32 10-32 Phillips flat head screws and captive nuts in the frame assembly.
- vii. Close the cover and tighten the captive thumb screws.

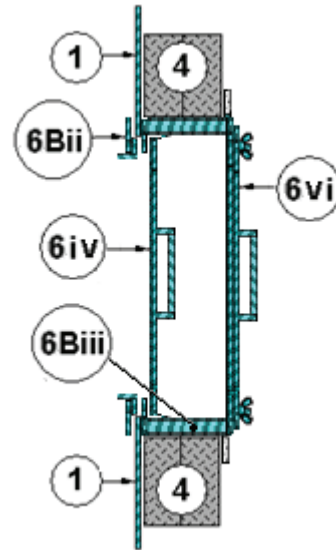


Figure 2b – Fire Shield, LLC Easy Access Grease Duct Access Door

- 7. OPTIONAL FIELD-FABRICATED ACCESS DOORS:** Mark a clean-out access opening location on the grease duct (Item 1) with insulation (Item 4) at its mid-height along the horizontal section. Use either Option A or B.
- A. (OPTION A)** Cut a 12×12 in. opening in the insulation (Item 4). Remove and discard the cut insulation (Item 4). Cut and center a 10×10 in. opening into the side of the grease duct (Item 1) by maintaining a 1 in. clearance between the perimeter of the opening and the cut insulation (Item 4). Remove and discard the cut steel. Weld four (4), minimum 4 in. long, ¼ in. diameter, all- thread, steel rods to the grease duct (Item 1). Locate one (1) steel rod at each corner of the grease duct (Item 1) opening so that they are 11 inches on center and squared within the insulation (Item 4) opening.
- i. **ACCESS DOOR:** Cut a 12×12 in., 16 GA, steel plate to be used as an access door. Drill clearance holes in the access door to match the all- thread, steel rod pattern. Place the access door over the all-thread, steel rods. Seal the opening in the grease duct (Item 1) by overlapping the access door over the opening cut in the insulation (Item 4) by 1 in. on all sides. Weld four (4), minimum 6-1/2 in. long, 12 GA, copper-coated, steel insulation pins to the access door corners so that the insulation pins are 9 in. on center.
 - ii. **CERTIFIED MANUFACTURER:** 3M Company
CERTIFIED PRODUCT: 3M Fire Barrier™ Duct Wrap
CERTIFIED MODEL: 615+ ACCESS INSULATION:
 Apply three(3) layers of access insulation over the access door. Cut the first piece of access insulation into a 12×12 in. square and install it over the insulation pins and cover the access door (Item 7Ai). Cut the second piece of access insulation into a 14×14 in. square. Square it and install it over the insulation pins. Cover the first piece of access insulation so that a 1 in. overlap exists. Cut the third piece of access insulation into a 16×16 in. square. Square it and install it over the insulation pins. Cover the second piece of access insulation so that a 1 in. overlap exists. Secure access insulation to the insulation pins with 1-1/2 in. square or round, galvanized or stainless steel, speed clips. Turn down or cut off insulation pins that extend beyond the second piece of access insulation. Place maximum 4 in. long, steel tubing over each all- thread, steel rods. Apply washers and wing nuts over the all-thread, steel rods. Secure the access door by tightening the wing nuts.

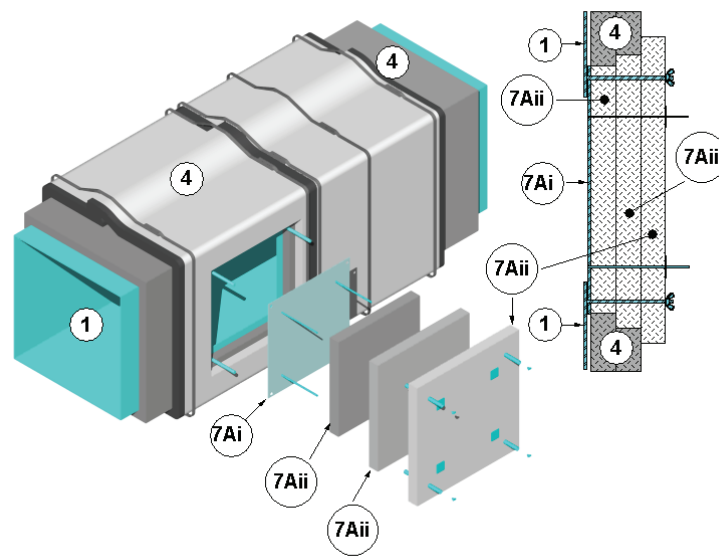


Figure 3 – Field Fabricated Access Door Option A

- B. (OPTION B)** Cut a maximum 16×16-in. opening into the insulation (Item 4) and the grease duct (Item 1). Remove and discard the cut insulation (Item 4) and steel. Weld together four (4) pieces of 1-1/2 × 1-1/4 × 1/8 in. steel angle, with the flange outward, to form a 1-1/2-in. tall, flanged frame. Position, center, and continuously weld the flanged frame around the opening in the grease duct (Item 1). Position one (1), minimum 4 in. long, 1/4 in. diameter, all-thread, steel rod in the center of each of the four (4) corners of the flange and weld them in place.
- ACCESS DOOR:** Cut an 18-1/2 × 18- 1/2-in., 16 GA, steel plate to be used as an access door. Drill clearance holes in the access door to match the all-thread, steel rod pattern on the flange. Place the access door over the all-thread, steel rods.
 - COVER PLATE:** Cut a 20-1/2 × 20-1/2 in. external cover plate out of 16 GA steel sheet and drill clearance holes matching the locations of the all- thread, steel rods on the flange. Weld minimum four (4), 12 GA, copper-coated, steel insulation pins onto the internal surface of the cover plate, spaced minimum 14 inches on center. Limit insulation pin length to one-half total access insulation thickness. Install access insulation (Item 7Biii). Position the cover plate with access insulation over the all-thread, steel rods flush to access door. Apply washers and wing nuts over the all-thread, steel rods. Secure the access door by tightening the wing nuts.
 - CERTIFIED MANUFACTURER:** 3M Company

CERTIFIED PRODUCT: 3M Fire Barrier™ Duct Wrap

CERTIFIED MODEL: 615+

ACCESS INSULATION: Apply two layers of access insulation over the interior of the cover plate. Cut the first piece of access insulation into a 20-1/2 × 20-1/2-in. square and install it over the insulation pins on the internal surface of the cover plate. Cut the second piece of access insulation into a 24 × 24 in. square. Square it to and install it over the insulation pins. Cover the first piece of access insulation so that a 1-3/4 in. overlap exists. Secure access insulation to insulation pins with 1-1/2 in. square or round, galvanized or stainless steel speed clips. Turn down or cut off insulation pins that extend beyond the second piece of access insulation.

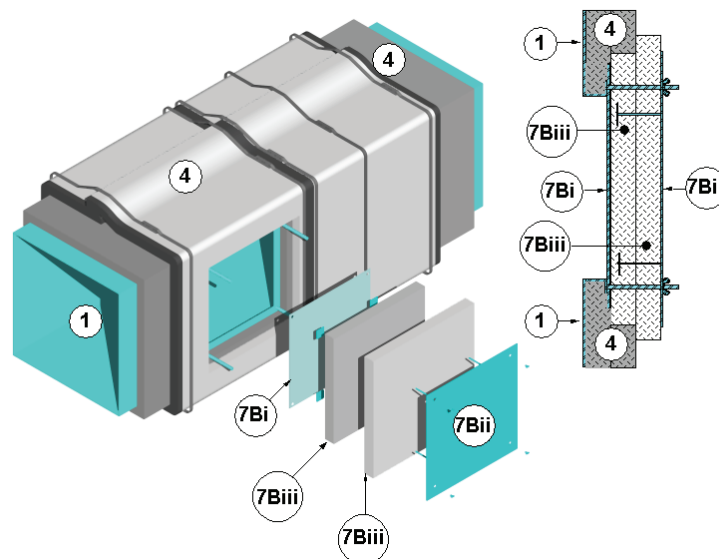


Figure 4 – Field Fabricated Access Door Option B

8. NONCOMBUSTBLE² SUPPORTING CONSTRUCTION: Refer to Figures 3 and 4. Use one of the following wall or floor assemblies.

A. GYPSUM WALL ASSEMBLY: Symmetrical two-hour rated gypsum wall assembly constructed of the following:

- i. Steel Studs – Minimum 25 GA galvanized steel studs measuring 3-5/8 in. wide with 1-1/4 in. legs spaced maximum 24 in. oc. Attach studs with minimum #6 × 3/8 in. steel stud framing screws to floor and ceiling tracks.
- ii. Tracks – Channel U-shaped floor and ceiling runners measuring 1/2 in. deep by 3-5/8 in. wide, which are secured to floor and ceiling with 1 in. long fasteners suitable for the mounting to substrate and spaced maximum 18 in. oc
- iii. Gypsum Board – Cover studs and runners with two layers of 5/8 in. thick, Type X gypsum board on each face. Fasten base layer of gypsum board to steel studs with #6 1-1/8 in. bugle head phillips drywall screws spaced maximum 12 in. oc. Fasten face layer of gypsum board with #6, 1-5/8 in. long bugle phillips drywall screws spaced maximum 8 in. oc. Apply vinyl or casein, dry or premixed joint compound to face layers of gypsum board in two coats to all exposed screw heads and gypsum board joints. Embed minimum 2 in. wide paper, plastic or fiberglass tape in first layer of joint compound over joints in gypsum board. Minimum wall assembly thickness of 6 in. measured from face layer of gypsum board to opposite face layer of gypsum board.

B. SHAFT WALL ASSEMBLY: Asymmetrical two-hour rated gypsum shaft wall assembly constructed of the following:

- i. Visual Gypsum Board – Cover studs and runners with two layers of minimum 1/2 in. thick, Type X gypsum board on each face. Fasten base layer of gypsum board to steel studs with #6 1-1/8 in. bugle head phillips drywall screws spaced maximum 12 in. oc. Fasten face layer of gypsum board with #6, 1-5/8 in. long bugle phillips drywall screws spaced maximum 8 in. oc. Apply vinyl or casein, dry or premixed joint compound to face layers of gypsum board in two coats to all exposed screw heads and gypsum board joints. Embed minimum 2 in. wide paper, plastic or fiberglass tape in first layer of joint compound over joints in gypsum board. Minimum wall assembly thickness of 4-1/2 in. measured from face layer of gypsum board to opposite face layer of gypsum board.
- ii. Interior Gypsum Board – Cut 1 in. thick Type X gypsum board 1-inch less than floor to ceiling height. Insert the longitudinal edges of the 1 in. thick Type X gypsum board into the C-T or C-H studs. Secure the transverse edge of the 1 in. thick Type X gypsum board to the long leg of J-runner using its tabs or minimum 1-5/8 in. long Type S self-tapping bugle head steel screws spaced maximum 12 in. oc.
- iii. Steel Studs – Cut minimum 25 GA galvanized steel C-T or C-H studs measuring minimum 2-1/2 in. wide with minimum 1-1/2 in. flanges 3/4 in. less than floor to ceiling height and spaced maximum 24 in. oc in runners with T or H section abutting long leg of runner.
- iv. Runners – Use minimum 2-1/2 in. wide J-runner compatible with studs and having unequal vertical legs: minimum 1 in. short leg and minimum 2 in. long leg. Position J- runners with short leg towards visual face of shaft wall. Attach to floor and ceiling using steel fasteners located a maximum of 2 in. from each end and a maximum of 24 in. oc

C. CONCRETE WALL ASSEMBLY: Symmetrical, two-hour rated, solid concrete, wall assembly made from reinforced lightweight or normal weight (100-150 pcf or 1600-2400 kg/m³) concrete, which may also be used as a shaft wall assembly. Constructed of solid concrete with a minimum concrete thickness measured from exposed face to exposed face using one of the following:

- i. lightweight concrete is 3.6 in.;
- ii. sand-lightweight concrete is 3.8 in.;
- iii. carbonate aggregate concrete is 4.6 in.; and
- iv. siliceous aggregate concrete is 5.0 in.

D. MASONRY WALL ASSEMBLY: Symmetrical, two-hour rated, nominal 8 × 8 × 16 CMU, wall assembly made from lightweight or normal weight (100-150 pcf or 1600-2400 kg/m³) concrete, which may also be used as a shaft wall assembly.

E. CONCRETE FLOOR ASSEMBLY: Symmetrical two-hour rated solid concrete floor assembly made from reinforced lightweight or normal weight (100-150 pcf or 1600-2400 kg/m³) concrete. Constructed of solid concrete with a minimum concrete thickness measured from exposed face to exposed face using one of the following:

- i. lightweight concrete is 3.6 in.;
- ii. sand-lightweight concrete is 3.8 in.;
- iii. carbonate aggregate concrete is 4.6 in.; and
- iv. siliceous aggregate concrete is 5.0 in.

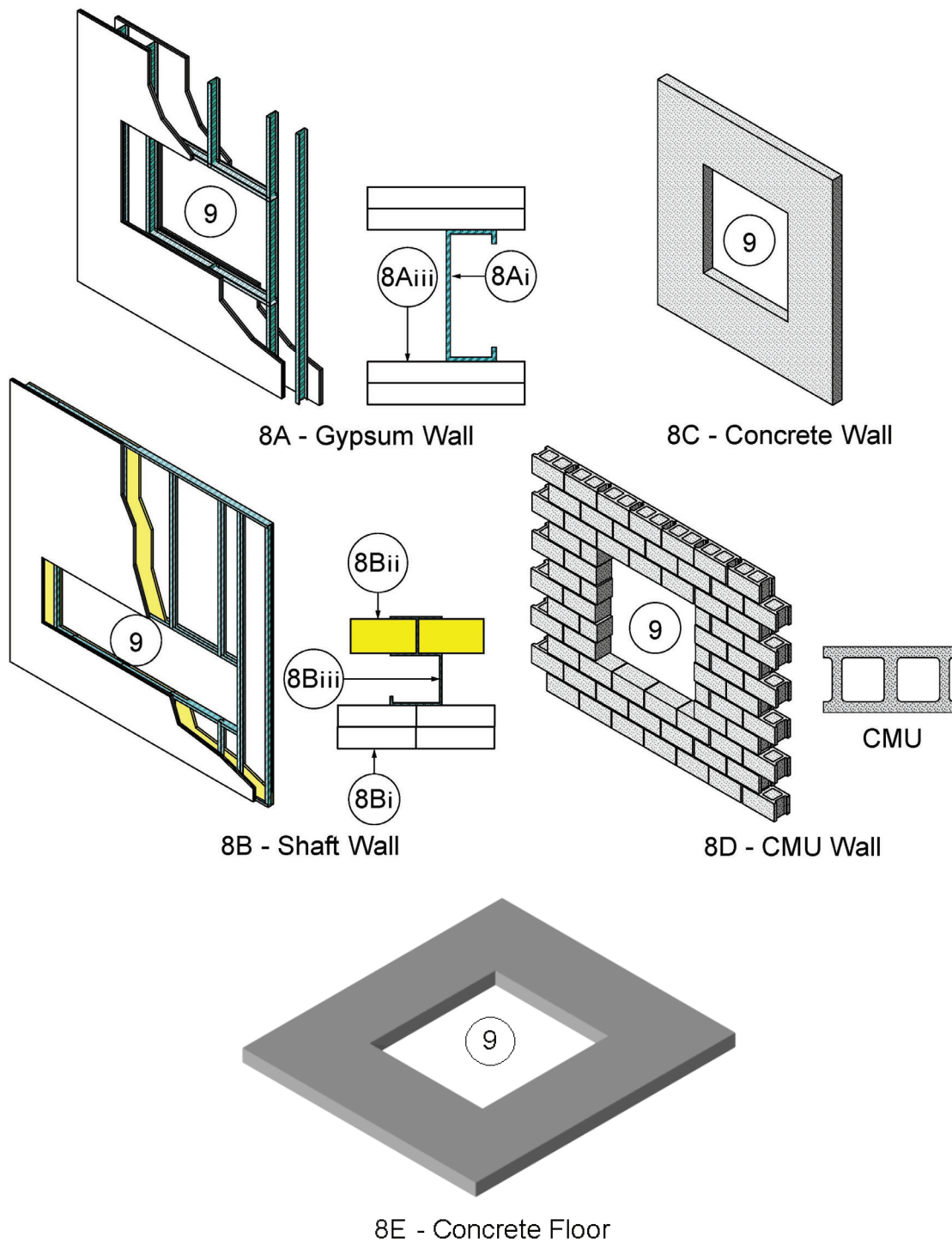


Figure 5 – Noncombustible Supporting Constructions

9. **OPENING** - Create an opening in the assembly. Position the grease duct (Item 1) concentrically or eccentrically in the opening so that the annular space ranges from minimum 0.5 in. to maximum 4-1/2 in. Establish an opening designed to house the grease duct (Item 1) covered with insulation (Item 4) and the desired annular space but not exceeding a cross-sectional area of maximum 3136 in.2 and a maximum dimension of 59.5 inches.
10. **PENETRATION FIRESTOP:** Install two-hour, fire-resistant, ASTM E 814, firestop system. Install firestop between the supporting construction (Item 6) and the grease duct (Item 1) or the grease duct (Item 1) protected with the insulation (Item 4). Use a symmetrical wall penetration firestop, an asymmetrical shaft penetration firestop, or an asymmetrical floor penetration firestop constructed of the following components.

A. CERTIFIED MANUFACTURER: 3M Company

CERTIFIED PRODUCT: 3M Fire Barrier™ Duct Wrap

CERTIFIED MODEL: 615+

PACKING MATERIAL: Fill the entire annular space's width with minimum 4-pcf density mineral wool or certified insulation without the encapsulation (foil scrim). Cut the packing material into strips not less than one and one half (1-1/2) times the width of the annular space to be filled. Compress packing material nominally 33% and insert packing material into the annular space.

For wall assemblies, recess the surface of packing material nominally 5/8 in. from surfaces of both faces of the supporting construction (Item 8).

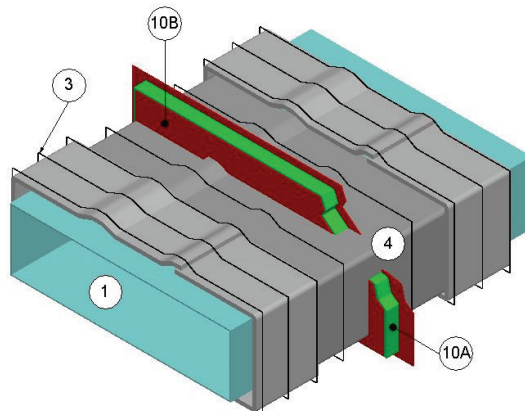
For floor assemblies, recess the surface of packing material nominally 5/8 in. from the visual surface of the supporting construction (Items 8) and install a minimum depth of 4 in.

B. CERTIFIED MANUFACTURER: 3M Company

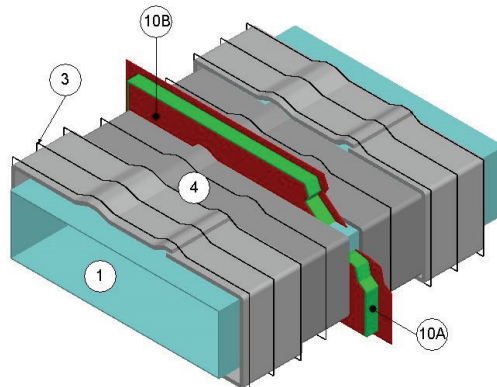
CERTIFIED PRODUCT: 3M™ Fire Barrier™ Sealant

CERTIFIED MODEL: Water-Tight 1000-NS Silicone, 1003-SL Silicone (Floor Assembly Only), 2000+ Silicone, or CP 25 WB+

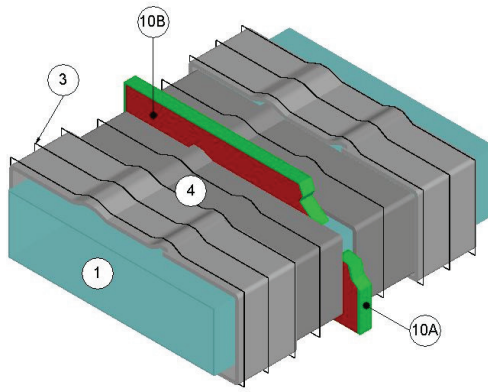
FILL, VOID OR CAVITY MATERIAL: Install minimum 5/8 in. depth of fill material into the recess over the entire surface of the packing material (Item 10A). Screenshot the fill material flush with the surface of the supporting construction (Item 8). Overlap a minimum of 1/4 in., the fill material onto face of supporting construction (Item 8).



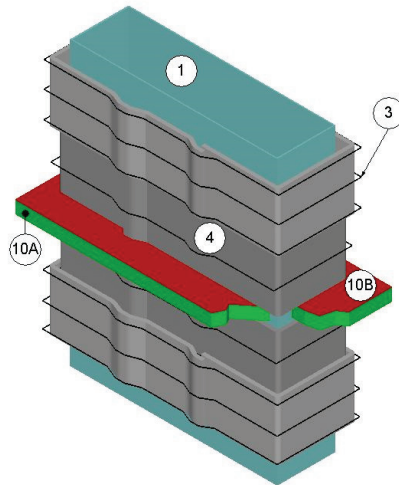
Symmetrical Firestops for Horizontal Grease Ducts
with Insulation Through Noncombustible Wall Assemblies



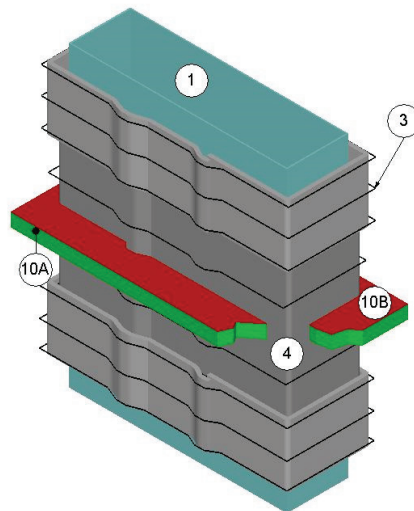
Symmetrical Firestops for Horizontal Grease Ducts
without Insulation Through Noncombustible Wall Assemblies



Asymmetrical Firestops for Horizontal Grease Ducts
without Insulation Through Noncombustible Shaft Assemblies



Asymmetrical Firestops for Vertical Grease Ducts
without Insulation Through Noncombustible Floor Assemblies



Asymmetrical Firestops for Vertical Grease Ducts
with Insulation Through Noncombustible Floor Assemblies

Figure 6 – Penetration Firestops for Noncombustible Supporting Constructions

