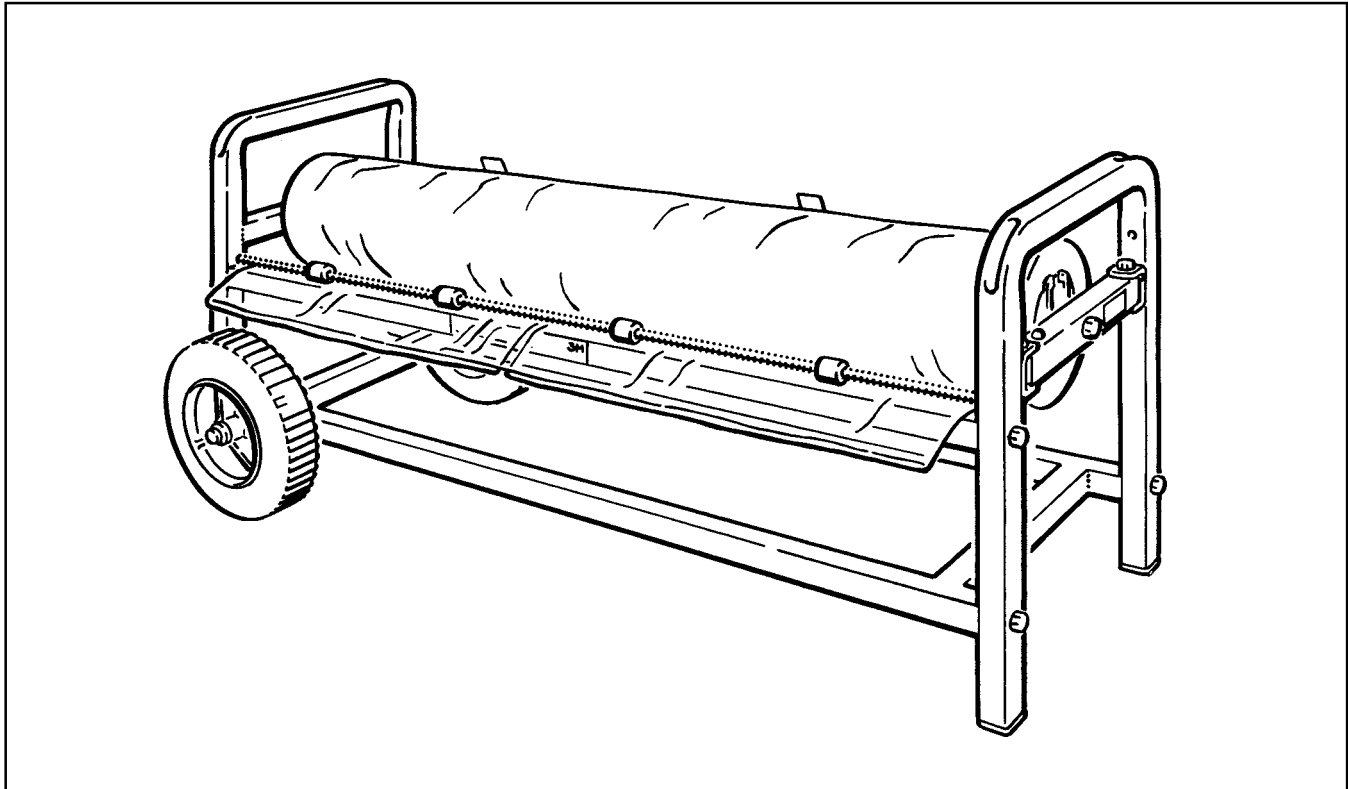


Part No. 6780 3M Overspray Protective Sheeting Masker

Type 29900



Description

The P/N 6780 3M Overspray Protective Sheeting Masker is a heavy-duty portable unit that is designed to hold and dispense 3M™ Overspray Protective Sheeting P/N 672, 6728 or 6742.

Specifications

Masker Dimensions:

Height 16-1/2 inches [425 mm]
 Width 16 inches [410 mm]
 Length 41 inches [1045 mm]

Masker Weight:

Packaged 24 pounds [10.9 kg]
 Unpackaged 20 pounds [91.1 kg]

3M™ Overspray Protective Sheeting:

Roll Diameter..... 5-1/2 inches [140 mm]
 Roll Width 36 inches [915 mm]
 Core Diameter 3 inches [75 mm]
 P/N 6727 12 feet X 400 feet
 P/N 6728 16 feet x 350 feet
 P/N 6742 20 feet x 250 feet

Assembly (See Figure 1)

Important – Before assembling, note the location of the brake (10) mounting holes in the base (3) in relation to the crosstube (5) and spring (12) mounting holes in the side frames (1) and (2). Assemble as shown in illustration.

- Attach side frame (1) to base (3), **label side out**, with two M8 x 40 mm hex bolts (4). Do not tighten bolts.
- Attach side frame (2) to base (3) with two M8 x 40 mm hex bolts (4). Do not tighten bolts.
- Attach front crosstube (5), **with label facing out**, to lower set of holes in side frames with two M8 x 40 mm hex bolts (4). Tighten all bolts in base.
- Slide axle rod (6) through base and place two M12 I.D. plain washers (7) on each end of axle rod.
- Slide wheels (8) on each end of axle rod.
- Secure wheels with push nuts (9). Tap nuts on gently with a hammer until nuts bottom out.
- Install two spring steel brakes (10) to base with M8 x 40 mm hex bolts (4) and M8 hex nuts (11) as shown.
- Hook guide spring (12), with rubber spacers, into holes on each side frame.
- Assemble and install tape hubs to inside of both side frames as shown in inset drawing.

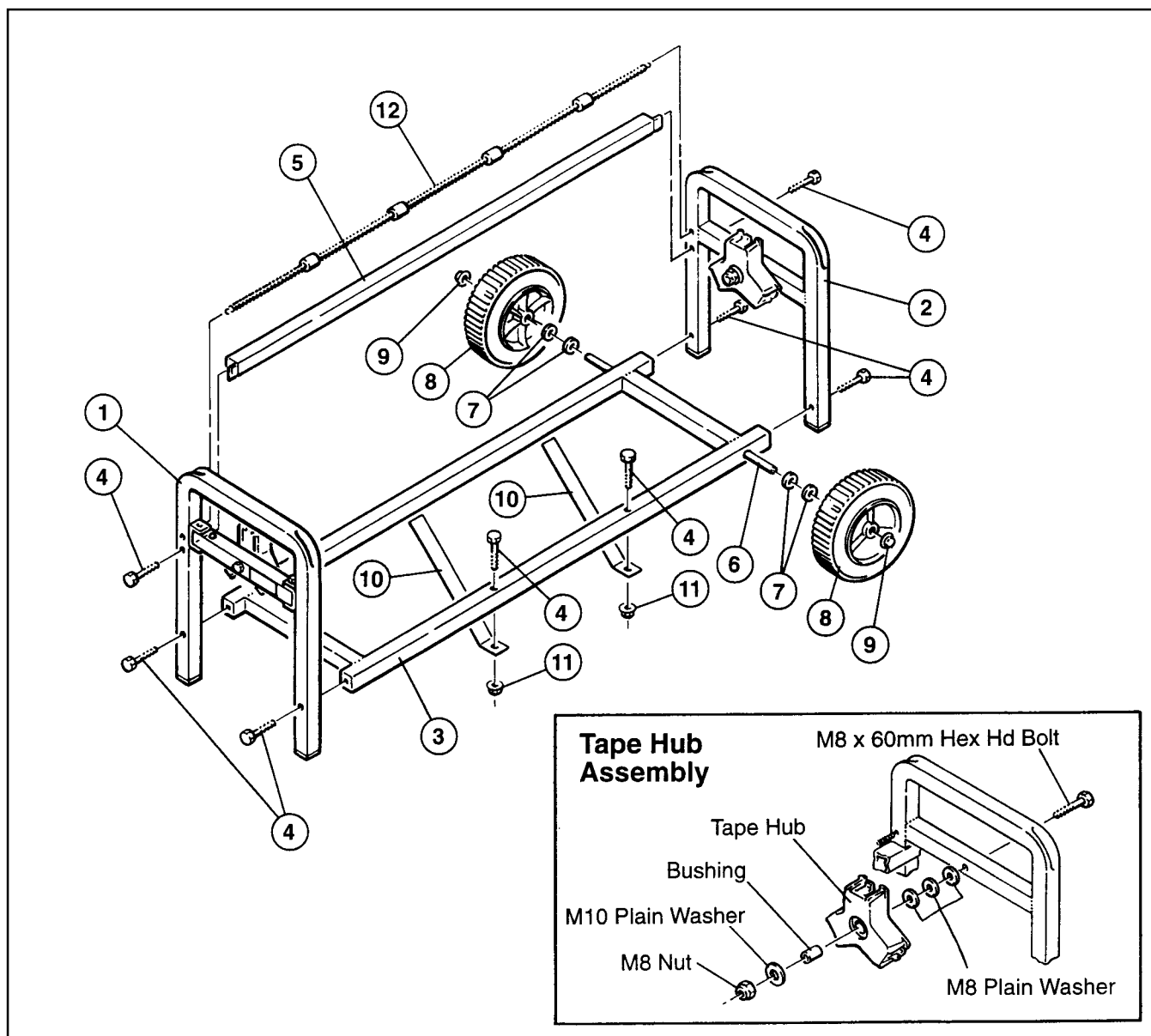


Figure 1 – Assembly

Sheeting Roll Loading (See Figure 2)

- Tip masker up on end, wheels down.
- Press release button on tape hub mounting arm and swing arm up and open.
- Place protective sheeting roll on lower tape hub with spring steel brakes on back side of roll.

Important – Roll must be placed to unroll in clockwise direction.

- Press release button on tape hub mounting arm and rotate tape hub mounting arm closed while guiding protective sheeting roll core onto tape hub. Release button to lock arm/roll in place.

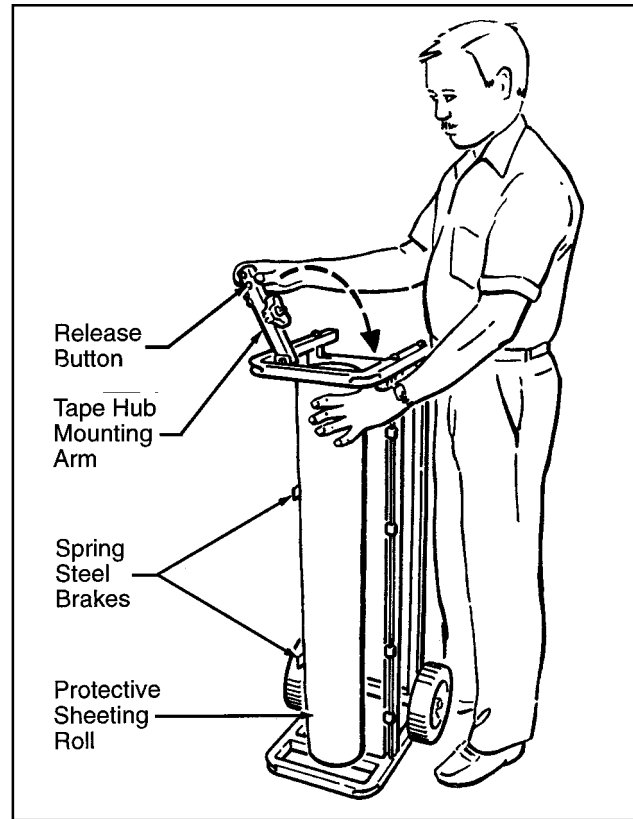


Figure 2 – Sheeting Roll Loading

Sheeting Roll Threading (See Figure 3)

- Tip masker down and thread sheeting between spring rubber spacers and front crossbar.

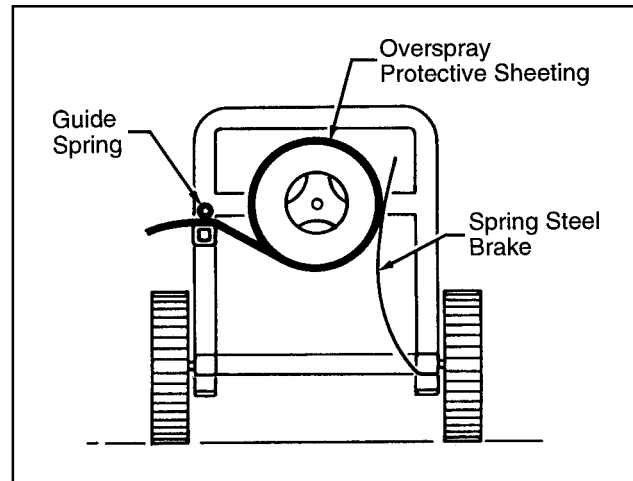


Figure 3 – Sheeting Roll Threading

Dispensing and Using Sheeting

- Pull required length of sheeting out and cut as shown in Figure 4.
- Place sheeting on vehicle and unfold as shown in Figure 5.

Important – Sheeting should be applied and unfolded as shown for maximum “cling” to vehicle surface.

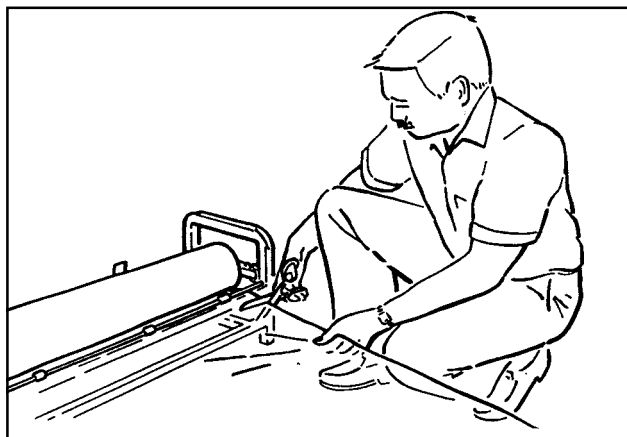


Figure 4 – Dispensing Sheeting

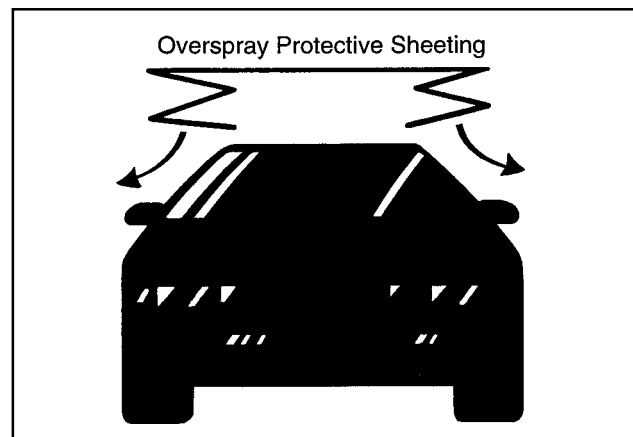
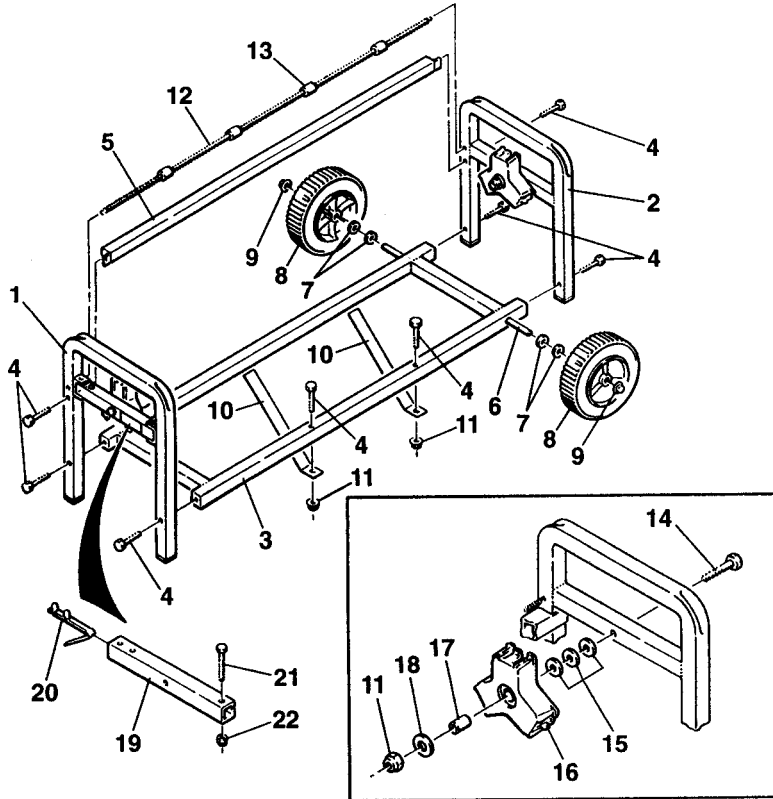


Figure 5 – Sheeting Use

Parts Illustration



Replacement Parts List

| Ref. No. | Part Number | Description |
|----------|----------------|-------------------------------------|
| 1 | 78-8119-6761-7 | Frame – Side, R/H |
| 2 | 78-8119-6760-9 | Frame – Side, L/H |
| 3 | 78-8123-1239-1 | Base |
| 4 | 26-1003-5845-1 | Bolt – Hex Hd, M8 x 40 |
| 5 | 78-8123-1238-3 | Crosstube – Front |
| 6 | 78-8119-6765-8 | Axle |
| 7 | 26-1014-8701-0 | Washer – Plain, M12 I.D. |
| 8 | 70-8999-4013-7 | Wheel – 1-3/4 In. Wide x 8 In. O.D. |
| 9 | 26-1004-3125-8 | Push Nut |
| 10 | 78-8119-6764-1 | Brake – Spring |
| 11 | 26-1014-8697-0 | Nut – M8 |
| 12 | 78-8119-6769-0 | Spring – Guide |
| 13 | 78-8119-6770-8 | Spacer – Rubber |
| 14 | 26-1003-5847-7 | Bolt – Hex Hd, M8 x 50 |
| 15 | 26-1014-8699-6 | Washer – Plain, M8 I.D. |
| 16 | 78-8059-1555-6 | Hub – Tape |
| 17 | 78-8119-6520-7 | Bushing – 5/16 I.D. |
| 18 | 26-1014-8700-2 | Washer – Plain, M10 I.D. |
| 19 | 78-8119-6766-6 | Crosstube – Pivoting |
| 20 | 26-1014-6423-3 | Latch – Spring |
| 21 | 26-1003-5846-9 | Bolt – Hex Hd, M8 x 50 mm |
| 22 | 26-1014-8698-8 | Nut – M8, Nylon Insert |

How To Order Replacement Parts

1. Refer to Parts Illustration to find part needed and reference number.
2. Refer to parts list for correct part number.
3. Order by **part number, description, dispenser name and type number.**

4. Replacement parts and part prices available direct from:

3M/Tape Dispenser Parts **800/344 9883**
241 Venture Drive **FAX 715/268 8153**
Amery, WI 54001-1325

Minimum billing on parts orders will be \$25.00. – \$10.00 restocking charge per invoice on returned parts.

Note: Outside the U.S., contact the local 3M subsidiary for parts ordering information.

IMPORTANT NOTICE: User is responsible for determining whether the 3M masking equipment is fit for a particular purpose and suitable for users method of application

LIMITED WARRANTY: 3M warrants for 90 days from the date of delivery that the 3M masking equipment shall be free of defects in material and manufacture. **3M MAKES NO OTHER WARRANTIES, EXPRESS OR IMPLIED, INCLUDING, BUT NOT LIMITED TO, ANY IMPLIED WARRANTY OF MERCHANTABILITY OR FITNESS FOR A PARTICULAR PURPOSE.** This Limited Warranty does not cover routine maintenance, normal wear and tear, or damage resulting from accident, misuse, alteration, corrosion, lack of reasonable care, service performed by an unauthorized repair service, use of unauthorized replacement parts or accessories, or installation, operation, or maintenance not in accordance with 3M recommended procedures.

LIMITATION OF REMEDIES AND LIABILITY: If the 3M masking equipment is proved to be defective during the warranty period. **THE EXCLUSIVE REMEDY, AT 3M's OPTION, SHALL BE TO REFUND THE PURCHASE PRICE OF OR TO REPAIR OR REPLACE THE DEFECTIVE EQUIPMENT,** provided that the equipment, at 3M's choice, is returned immediately to 3M. 3M shall not otherwise be liable for any loss or damages, whether direct, indirect, special, incidental, or consequential, regardless of the legal theory asserted, including negligence, contract, warranty, or strict liability.

3M

Automotive Aftermarket Division

www.3M.com/automotive

1-877-MMM-CARS (666-2277)

3M is a trademark of 3M
5/2007