

Unitek™ Self-Ligating Bracket Debonding Instrument

Frequently Asked Questions

1. How is the Instrument to be used?

A. The instrument uses a Mesial/Distal squeeze debond technique.

2. What brackets are compatible with the instrument?

A. 3M Unitek self-ligating brackets: SmartClip™ Self-Ligating Brackets and Clarity™ SL Self-Ligating Brackets.

3. Can the Instrument be used with Clarity™ Ceramic Brackets?

A. No. The Instrument was designed for the geometrics of SmartClip and Clarity SL self-ligating brackets. Due to the dimensions of Clarity™ Brackets, which have a wider base and taller dimension than 3M Unitek self-ligating brackets, the Instrument will not effectively nor consistently remove the bracket from the tooth.

4. Can the Instrument debond with an archwire in place?

A. Yes. This Instrument can debond SmartClip Self-Ligating Brackets and Clarity SL Self-Ligating Brackets with the archwire engaged in the archwire slots.



5. What is the Nitinol Insert, and what is its purpose?

A. The Nitinol Insert is the nickel-titanium rectangular extension centrally located in the mouth of the pliers. It is designed to retain the Clarity SL bracket during debonding. It prevents complete collapse of the bracket, which keeps it from prematurely releasing from the pliers.

6. Does the Nitinol Insert need to be replaced?

A. The Nitinol Insert is designed to maintain its original integrity without the need for replacement.



REF 804-170

7. How do I operate the instrument?

A. First, vertically align the Nitinol Insert of the instrument into the center of the self-ligating bracket, which is perpendicular to the archwire slot. Next, be certain that the ledges of the instrument are symmetrically positioned against the labial surfaces of the bracket.

8. How much pressure should I apply to the instrument handles for the bracket to debond?

A. Squeeze the instrument handles until the bracket collapses or deforms. Gently rock the bracket in the mesial or distal direction to completely separate the bracket from the tooth.

9. What if one wing of the bracket debonds and the other portion remains on the tooth, how do I remove the remaining wing?

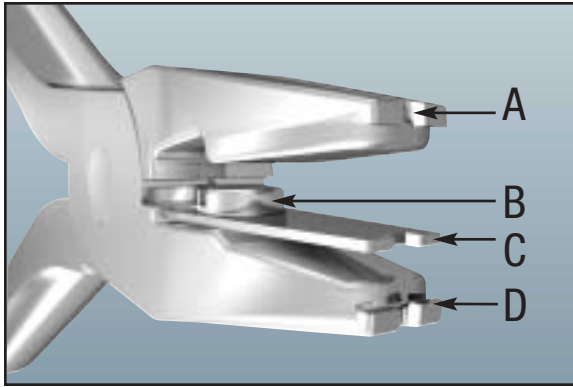
A. Use a high-speed diamond burr to remove the remaining wing of the bracket.

10. Does the screw for the Nitinol Insert need to be tightened?

A. Please tighten the screw as needed.

Unitek™ Self-Ligating Bracket Debonding Instrument

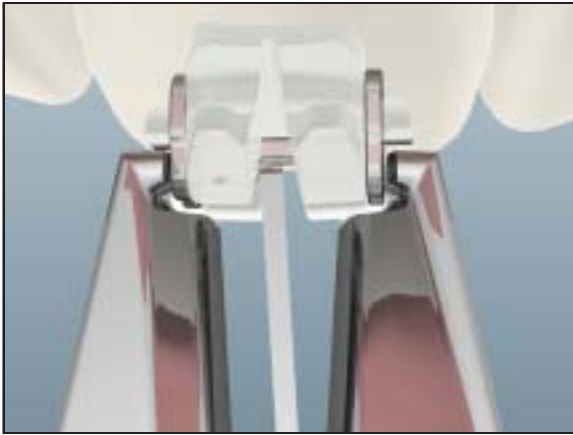
T E C H N I C A L D A T A S H E E T



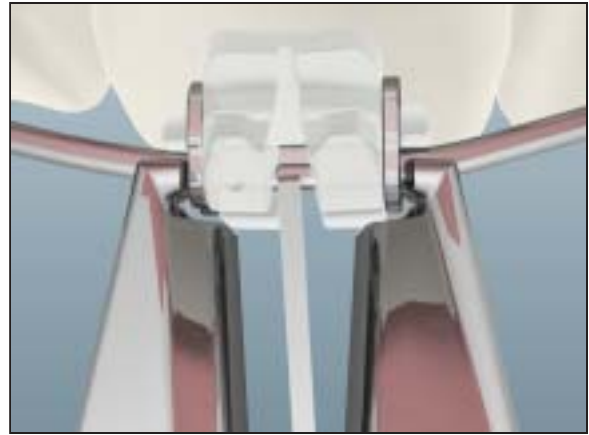
- A. Archwire Slot
- B. Screw holding Nitinol Insert in place
- C. Nitinol Insert
- D. Bracket Gripping Shelf



Self-Ligating Bracket retained between Nitinol Insert and the instrument tips.



Gingival-Occlusal view of Instrument, with Bracket Gripping Shelf (D) embracing the bracket mesial/distally without archwire in place. ***Nitinol Insert (C) is placed vertically into the bracket.**



Gingival-Occlusal view of Instrument, with Bracket Gripping Shelf (D) embracing the bracket mesial/distally with archwire in place. ***Nitinol Insert (C) is placed vertically into the bracket.**



3M Unitek
Orthodontic Products
2724 South Peck Road
Monrovia, CA 91016 USA
www.3MUnitek.com

In U.S. and Puerto Rico: 1-800-423-4588 • 626-574-4000
In Canada: 1-800-443-1661
Technical Helpline: 1-800-265-1943 • 626-574-4577
CE Hotline: 1-800-852-1990 x 4649 • 626-574-4649
Outside these areas, contact your local representative.

© 2007 3M. All rights reserved.
REF 012-177 0704