

Volition™ VF-45™ Maintenance Cleaning Kit



The Volition Maintenance Cleaning Kit from 3M is used to clean VF-45 fiber interconnects located within wall boxes, patch panels or electronic equipment, operating at a “just installed” optical performance level. The system consists of a spray bottle of Volition HFE-Based Cleaning Fluid designed for cleaning VF-45 sockets and plugs. HFE-based cleaning fluid is non-flammable and non-conductive. The maintenance cleaning kit is a convenient, effective and quick way to clean fiber end-faces, without socket disassembly from wall outlet or panels.

Kit Contents:

Maintenance Cleaning Kit

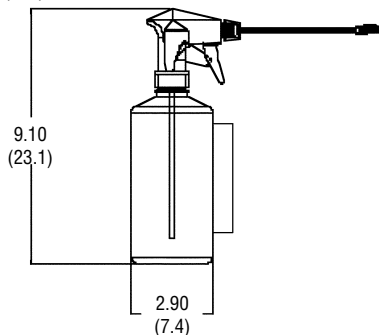
- 1 - 16-oz. bottle, Volition HFE-Based Cleaning Fluid
- 1 - Spray nozzle, trigger activation with socket spray head
- 1 - VF-45 Plug Cleaner Adapter

HFE Based Cleaning Fluid

- 16-oz. bottle, replacement for Maintenance Cleaning Kit
- 12 bottles per case

VF-45 Maintenance Cleaning Kit

Dimensions
in. (cm)



Specifications

400 cleanings per 16 oz. bottle
Storage temperature -40° to 60°C
(-40° to 140°F)

Warning

Do not substitute any other cleaning fluid due to the unique properties of Volition HFE-Based Cleaning Fluid. Other fluids may damage sensitive electronic equipment and will not properly clean the VF-45 interconnect.

VF-45 Socket Spray Head (installed)

Socket spray head inserts into VF-45 socket or compatible Volition component. Activation of the trigger sprayer delivers a high force stream of Volition HFE-Based Cleaning Fluid to achieve effective cleaning of terminated fiber end-faces.

VF-45 Plug Cleaner Adapter, included with the kit

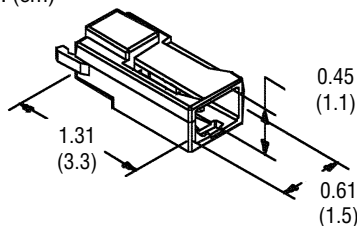
Plug adapter couples the socket spray head to a VF-45 plug terminated on a patch cord or compatible Volition component. Activation of the trigger sprayer delivers a high-force stream of Volition HFE-Based Cleaning Fluid to effectively clean fiber end-faces in the socket.

Ordering Information

Product Number	Description	Packaging	UPC 051138-
VOL-0570	VF-45 Maintenance Cleaning Kit	1	58560
VOL-0570A	HFE-Based Cleaning Fluid, 16 oz. bottle	12/ca.	58561

VF-45 Plug Cleaner Adapter

Dimensions
in. (cm)



Features — Benefits

Front access spray cleaning	Easy maintenance in tight spots, no disassembly of wall plates, reduced labor
HFE-Based Cleaning Solution	Non-flammable, Non-conductive
Replacement bottle of cleaning solution	Cost effective
Allows for front face cleaning of VF-45 socket	No disassembly required from face plate
Rapid drying	Fast and efficient