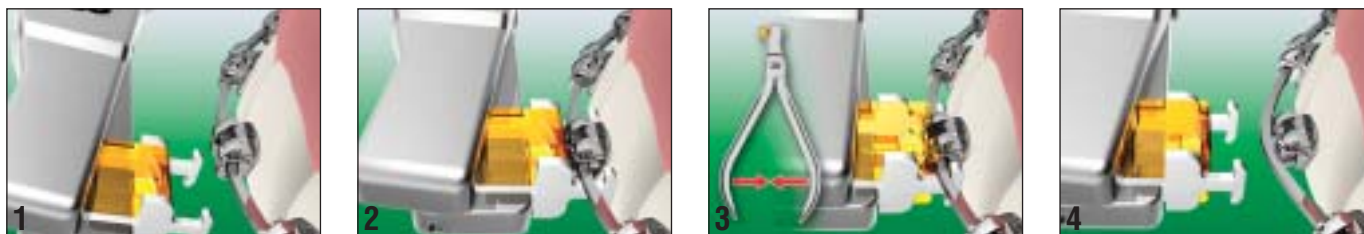


# SmartClip™ Appliance Wire Disengagement Instrument Technique and Maintenance Guide



**SMARTCLIP™**  
SELF-LIGATING APPLIANCE SYSTEM

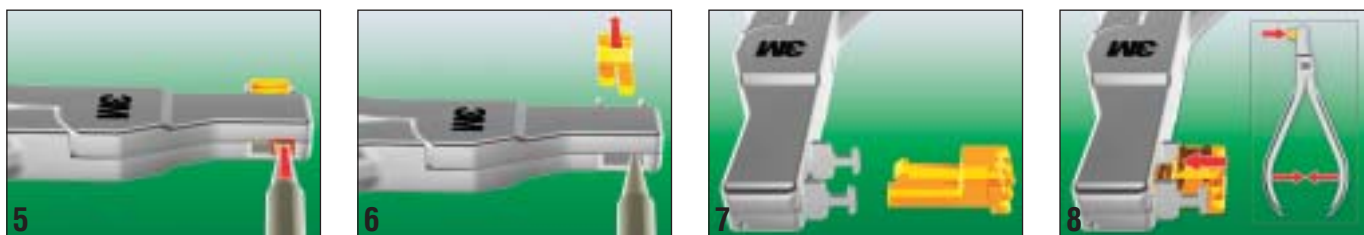
## Disengagement



1. Approach archwire with disengagement instrument from occlusal or gingival side. (Figure 1)
2. Place instrument hooks under archwire keeping the bracket between the instrument hooks. (Figure 2)
3. Squeeze handles. (Figure 3)

**Note:** Repeat procedure for each bracket.

## Slide Replacement



1. Using a pointed object, approach tab.
2. Push tab. (Figure 5)
3. Remove slide. (Figure 6)
4. Obtain new slide. **Note:** Ensure proper orientation of slide. (Figure 7)
5. Push slide while holding handles in closed position. (Figure 8)

**3M** Unitek

*Products that make your life easier.*

# SmartClip™ Appliance

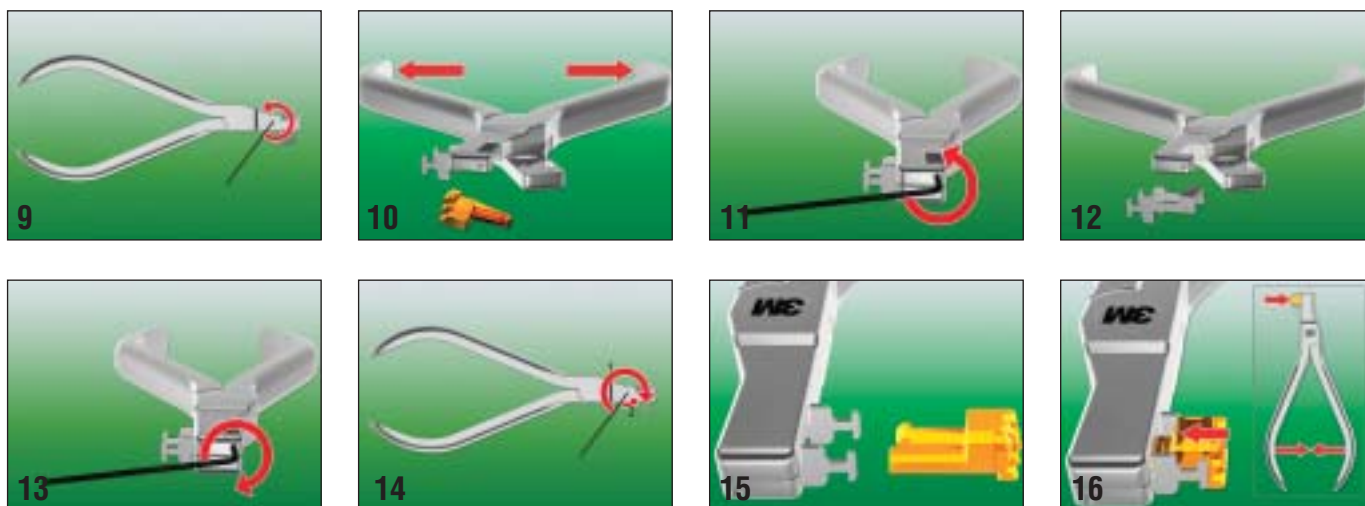
## Wire Disengagement Instrument

### Technique and Maintenance Guide



**SMARTCLIP™**  
SELF-LIGATING APPLIANCE SYSTEM

#### Hook Replacement



1. Insert Allen wrench\* on first setscrew (Figure 9) and rotate counter-clockwise until handles open easily. (Figures 9 & 10)
2. Insert Allen wrench on top setscrew and rotate counter-clockwise until hooks are free. (Figures 11 & 12)
3. Obtain new hooks. **Note:** Ensure proper orientation of hooks. (Figure 12)
4. Tighten top setscrew until first resistance is felt. (Figure 13)
5. Close plier handles. Insert Allen wrench and tighten first setscrew clockwise until first resistance is felt and then rotate counter-clockwise 1/4 turn. (Figure 14)
6. Obtain new slide. **Note:** Ensure proper orientation of slide. (Figure 15)
7. Push slide while holding handles in closed position. (Figure 16)

\*Included with Hook Insert Replacement Kit (P/N 804-162)

#### WARNINGS:

Use instruments for indicated use only. Failure to do so may result in the breakage of the instrument and injury to patient or orthodontic professional. Safety glasses recommended for patient and orthodontic staff when using these instruments.  
Stainless steel contains nickel and chromium. If an allergic reaction occurs, direct patient to consult a physician.



**3M Unitek**  
**Orthodontic Products**  
2724 South Peck Road  
Monrovia, CA 91016 USA  
[www.3MUnitek.com](http://www.3MUnitek.com)

In U.S. and Puerto Rico: 1-800-423-4588 • 626-574-4000  
In Canada: 1-800-443-1661  
Technical Helpline: 1-800-265-1943 • 626-574-4577  
CE Hotline: 1-800-852-1990 x 4649 • 626-574-4649  
Outside these areas, contact your local representative.



Printed on 50% recycled  
waste paper, including 10%  
post-consumer waste paper.

© 2006 3M Company. All rights reserved.  
REF 012-163 0603