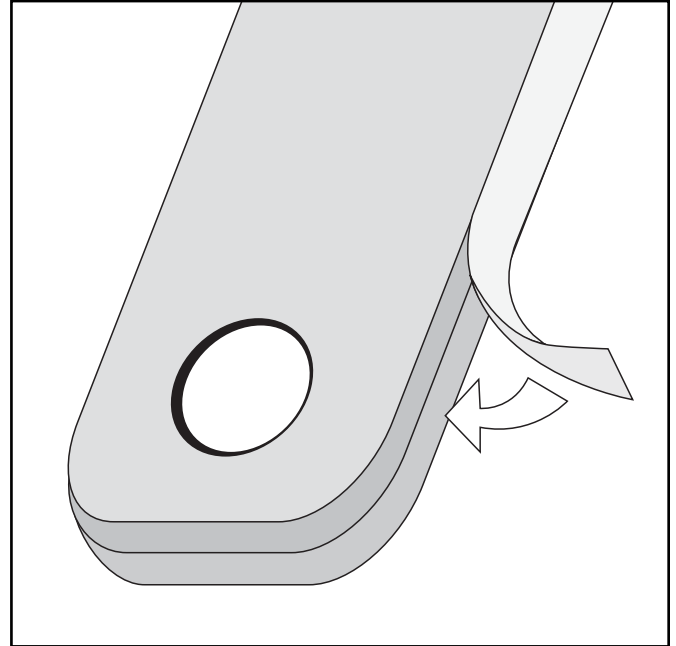
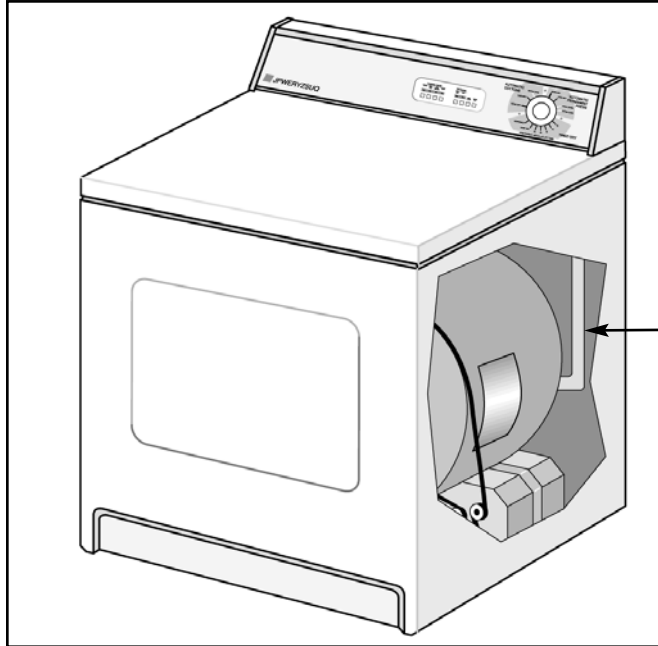


# 3M Application Profile

**Market:** Appliance

**Application Description:** Sealing the blower housing during the dryer assembly.



## Application Method

Specific length parts are applied over the edges of the blower housing by hand during assembly.

## Benefits/Advantages To Customer

*Helps seal blower housing:* 3M™ Aluminum Foil Tape 425 seals the seams of the blower housing tight, allowing more efficient air flow to the dryer drum.

*Flexible material:* The dead soft Tape 425 conforms to the edges of the blower housing easily, resisting splintering and rupturing.

*Easy to apply:* Pressure-sensitive adhesive is simple and easy to apply on the assembly line.

*Resists heat:* Tape 425 resists temperatures up to 300°F (149°C), making this tape ideal for this application.

## PRODUCT

3M™ Aluminum Foil Tape 425

## Process

3M™ Aluminum Foil Tape 425 is applied to the edges of the blower housing, helping to seal the seam tightly. The blower housing is then installed in the dryer on the assembly line.

## Related Products

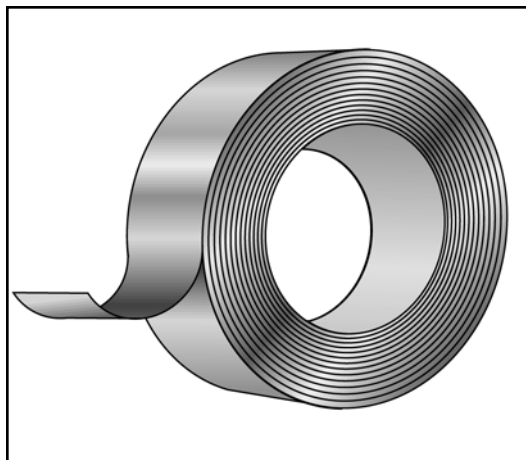
3M™ Aluminum Foil Tape 427 with liner

## SIC Code

3633 – Household Laundry Equipment

## Key Decision Makers

Quality Control Managers  
Production Supervisors and Managers



---

## For Additional Information

To request additional product information or to arrange for sales assistance, call 1-800-362-3550. Address correspondence to: 3M Industrial Business Customer Response Center, Building 21-1W-10, 900 Bush Avenue, St. Paul, MN 55106. Our fax number is 651-733-9175. In Canada, phone: 1-800-364-3577. In Puerto Rico, phone: 1-787-750-3000. In Mexico, phone: 52-70-04-00.

---

## Product Use

All statements, technical information and recommendations contained in this document are based upon tests or experience that 3M believes are reliable. However, many factors beyond 3M's control can affect the use and performance of a 3M product in a particular application, including the conditions under which the product is used and the time and environmental conditions in which the product is expected to perform. Since these factors are uniquely within the user's knowledge and control, it is essential that the user evaluate the 3M product to determine whether it is fit for a particular purpose and suitable for the user's method of application.

## Warranty and Limited Remedy

Unless stated otherwise in 3M's product literature, packaging inserts or product packaging for individual products, 3M warrants that each 3M product meets the applicable specifications at the time 3M ships the product. Individual products may have additional or different warranties as stated on product literature, package inserts or product packages. **3M MAKES NO OTHER WARRANTIES, EXPRESS OR IMPLIED, INCLUDING, BUT NOT LIMITED TO, ANY IMPLIED WARRANTY OF MERCHANTABILITY OR FITNESS FOR A PARTICULAR PURPOSE OR ANY IMPLIED WARRANTY ARISING OUT OF A COURSE OF DEALING, CUSTOM OR USAGE OF TRADE.** User is responsible for determining whether the 3M product is fit for a particular purpose and suitable for user's application. If the 3M product is defective within the warranty period, your exclusive remedy and 3M's and seller's sole obligation will be, at 3M's option, to replace the product or refund the purchase price.

---

## Limitation of Liability

Except where prohibited by law, 3M and seller will not be liable for any loss or damage arising from the 3M product, whether direct, indirect, special, incidental, or consequential, regardless of the legal theory asserted, including warranty, contract, negligence, or strict liability.



### Industrial Business

Building 21-1W-10, 900 Bush Avenue  
St. Paul, MN 55106

Printed in the USA  
Adbhs425.pdf  
© 3M 2005