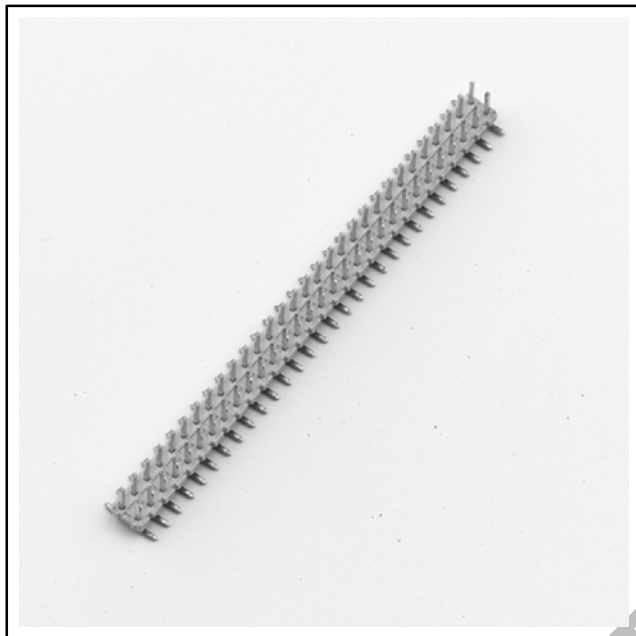


3M™ Pak 20 Pin Strip Header

2 mm × 2 mm Surface Mount, Location Clips

1512 Series



- Industry standard compatible
- High temperature dielectric
- IR, vapor & wave solder compatible
- Unique lengths available
- Maximizes use of PC board space
- Mates with boardmount and wiremount products
- End stackable feature
- Side stackable feature
- Surface Mount
- Metal clips for board retention

Date Modified: May 18, 2005

TS-0567-07
Sheet 1 of 2

Physical

Insulation
Material: High Temperature Plastic (PCT)
Flammability: UL 94V-0
Color: Black

Contact
Material: Copper Alloy

Plating
Underplate: 100 μ" [2.54 μm] Nickel — QQ-N-290, Class 2
Wiping Area: Gold — MIL-G-45204, Type II, Grade C
Solder Tails: 200 μ" [5.08 μm] 90/10 Tin Lead — MIL-P-81728

File Replace by consolidated ts file:

Note: The location and thickness of the contact plating is determined by the part number. Refer to ordering information.

Electrical

Current Rating: 1.5 A
Insulation Resistance: $> 5 \times 10^9 \Omega$ at 250 Vdc
Withstanding Voltage: 500 Vdc at Sea Level

Environmental

Temperature Rating: -55°C to +105°C

UL File No.: E68080

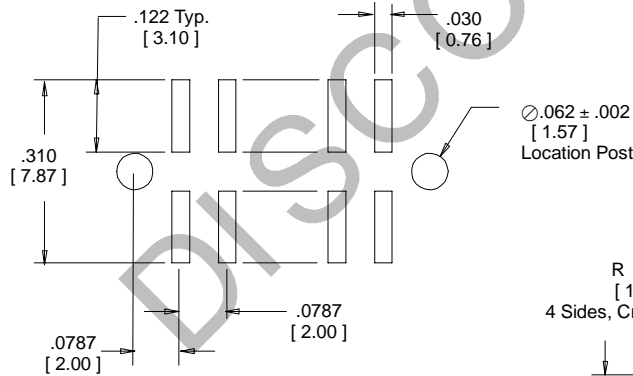
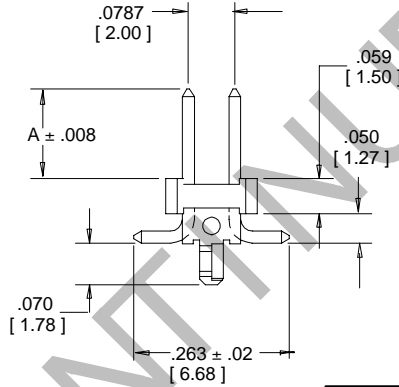
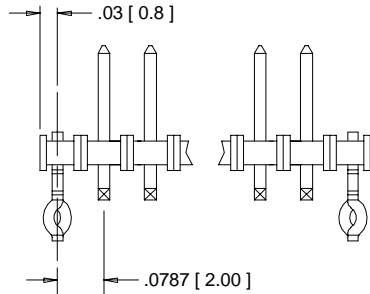
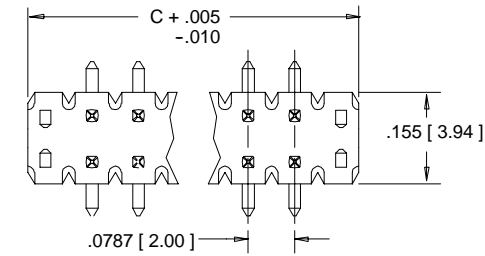
3M
Interconnect Solutions
<http://www.3M.com/interconnects/>

3M is a trademark of 3M Company.
For technical, sales or ordering information call

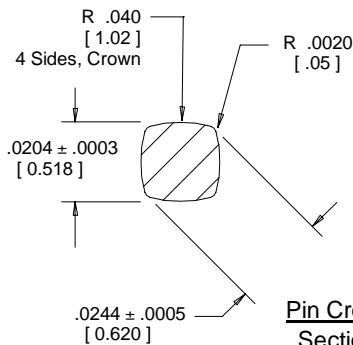
3M™ Pak 20 Pin Strip Header

2 mm × 2 mm Surface Mount, Location Clips

1512 Series



Recommended Solder Pad Layout



Pin Cross Section

Pin Qty Code	Dimension C
04	.315 [8.00]
06	.394 [10.00]
08	.472 [12.00]
10	.551 [14.00]
12	.630 [16.00]
14	.709 [18.00]
16	.787 [20.0]
18	.866 [22.00]
20	.945 [24.00]
22	1.024 [26.00]
24	1.102 [28.00]
26	1.181 [30.00]
28	1.260 [32.00]
30	1.339 [34.00]
32	1.417 [36.00]
34	1.496 [38.00]
36	1.575 [40.0]
38	1.654 [42.0]
40	1.732 [44.00]
42	1.811 [46.00]
44	1.890 [48.00]
46	1.969 [50.00]
48	2.047 [52.00]
50	2.126 [54.00]
52	2.205 [56.00]
54	2.283 [58.00]
56	2.362 [60.00]
58	2.441 [62.00]
60	2.500 [64.00]

File Replace by consolidated ts file.

Inch [mm]			
Tolerance Unless Noted			
	.0	.00	.000
Inch	± .1	± .01	± .005

[] Dimensions for Reference only

Ordering Information

Packaging:
W = Tape & Reel
(See TS-0607)
Blank = Standard

X1512XX-2X90 XX

Pin Quantity
(See Table)

Pin Length Dim. A
3 = .130 [3.30]
4 = .152 [3.86]

Plating
TB = 30μ" [0.76μm] Gold
TH = 15μ" [0.38μm] Gold

Note: Tape and Reel not available on all sizes, please call.

TS-0567-07
Sheet 2 of 2

Important Notice

All statements, technical information, and recommendations related to 3M's products are based on information believed to be reliable, but the accuracy or completeness is not guaranteed. Before using this product, you must evaluate it and determine if it is suitable for your intended application. You assume all risks and liability associated with such use. Any statements related to the product which are not contained in 3M's current publications, or any contrary statements contained on your purchase order shall have no force or effect unless expressly agreed upon, in writing, by an authorized officer of 3M.



Electronics

6801 River Place Blvd.
Austin, TX 78726-9000
800/328-1368
www.3M.com/electronics

Warranty; Limited Remedy; Limited Liability.

This product will be free from defects in material and manufacture for a period of one (1) year from the time of purchase. **3M MAKES NO OTHER WARRANTIES INCLUDING, BUT NOT LIMITED TO, ANY IMPLIED WARRANTY OF MERCHANTABILITY OR FITNESS FOR A PARTICULAR PURPOSE.** If this product is defective within the warranty period stated above, your exclusive remedy shall be, at 3M's option, to replace or repair the 3M product or refund the purchase price of the 3M product. **Except where prohibited by law, 3M will not be liable for any indirect, special, incidental or consequential loss or damage arising from this 3M product, regardless of the legal theory asserted.**



Minimum 10%
Post-Consumer Fiber

Printed in USA.

© 3M 2005