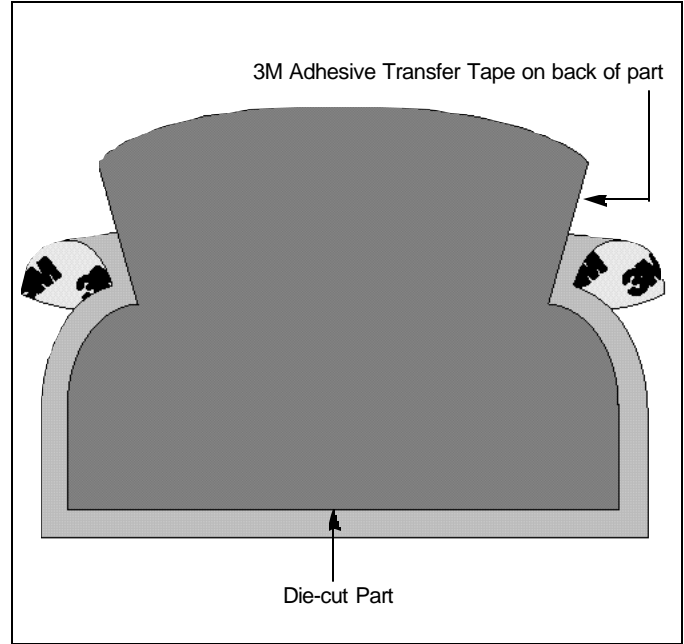
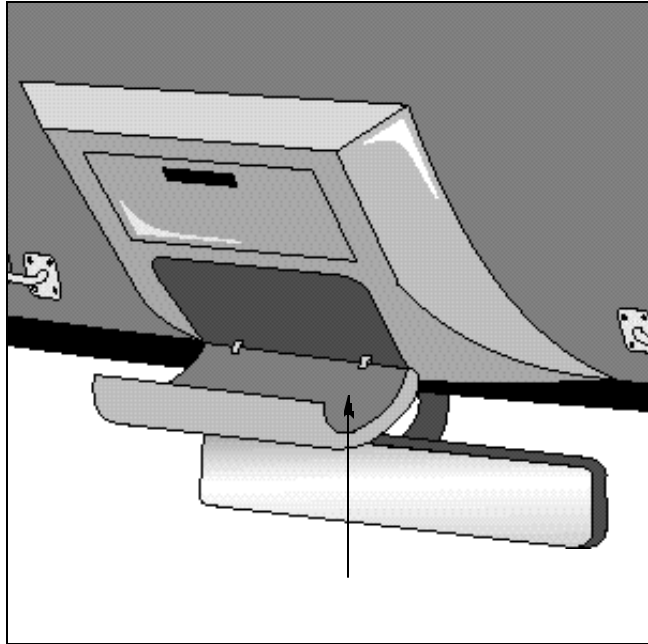


3M Application Profile

Market: Transportation

Account Type: Automotive Interior Component Assembly



Application Description

3M™ Double Coated Tape 9690 is used to attach foam-backed vinyl die-cut part to the plastic storage compartment for sunglasses. This storage compartment is typically located next to the headliner in an automotive interior. This laminating adhesive uses 3M High-strength Adhesive 300MP.

Key Application Requirements

Ease of application, good adhesion to a variety of foams and plastics; must not come loose when exposed to vehicle interior conditions.

Benefits/Advantages To Customer

Works well with many foams: 3M Double Coated Tape 9690, which uses 3M High-performance Adhesive 300MP, adheres well to a variety of foam and sheet materials.

Easy to use: 3M pressure-sensitive adhesives are easy to apply on the assembly line, helping to save time and improve throughput. No masking and no overspray are encountered, which results in a neat appearance. (The polyester carrier of 9690 provides the part with dimensional stability for easier application control.)

Converted parts: Die-cut parts with 3M pressure-sensitive adhesive help make it easy to install in the sunglass storage compartment on the assembly line at the component manufacturer.

Versatility of 'cushion': Automotive customer can choose from a variety of foam densities and thicknesses to customize the look and feel of the die-cut part.

ADHESIVE TECHNOLOGY

3M™ High-strength
Adhesive 300MP

PRODUCT

3M™ Double Coated Tape 9690

REGION OF ORIGIN

North America

APPLICATION TYPE

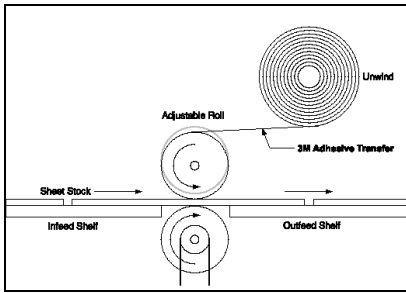
Attaching Foam Protective Liners

SIC

3711 – Motor Vehicles
and Car Bodies

3714 – Motor Vehicle Parts
and Accessories

Process



Foam-backed fabric is automatically laminated to the 3M™ Double Coated Tape 9690 in a lamination operation by a specialty converter. See Technical Service Bulletin titled *Lamination Technique for Converters of Laminating Adhesives* (70-0704-1430-8).

The laminated fabric is die-cut to specified shape and shipped to a Tier 1 headliner manufacturer. The liner is removed from the die-cut part, the part is inserted into the sunglass storage compartment and pressed into place inside the plastic housing. The plastic housing will be shipped to the automotive OEM for installation on the assembly line.

Related Products

3M™ Double Coated Tape 9820
3M™ Adhesive Transfer Tape 6032
3M™ Adhesive Transfer Tape 6035

Advantages

PET carrier
Transfer tape, conformable because there is no carrier
Excellent adhesion to textured surfaces

Related Application Ideas

Cupholder liners in automobiles and light trucks.

Key Decision Makers

Design Engineers
Program Manager
Process Engineers
Quality Assurance Engineer

For Additional Information

To request additional product information or to arrange for sales assistance, call 1-800-362-3550. Address correspondence to: 3M Industrial Markets Customer Response Center, 3M Center, Building 220-8E-04, St. Paul, MN 55144-1000. Our fax number is 651-733-9175. In Canada, phone: 1-800-364-3577. In Puerto Rico, phone: 1-787-750-3000. In Mexico, phone: 52-70-04-00.

Important Notice

3M MAKES NO WARRANTIES, EXPRESS OR IMPLIED, INCLUDING, BUT NOT LIMITED TO, ANY IMPLIED WARRANTY OF MERCHANTABILITY OR FITNESS FOR A PARTICULAR PURPOSE. All statements, technical information and recommendations contained in this document are based upon tests we believe to be reliable. However, many factors beyond the control of 3M can affect the use and performance of 3M products in a particular application, including the conditions under which the product is used and the time and environmental conditions in which the product is expected to perform. Since these factors are uniquely within the user's knowledge and control, it is essential that the user evaluate the 3M product to determine whether this product is fit for a particular purpose and suitable for the user's application.

Limitation of Remedies and Liability

If the 3M product is proved to be defective, THE EXCLUSIVE REMEDY, AT 3M'S OPTION, SHALL BE TO REFUND THE PURCHASE PRICE OF OR TO REPAIR OR REPLACE THE DEFECTIVE 3M PRODUCT. 3M shall not otherwise be liable for any loss or damages, whether direct, indirect, special, incidental, or consequential, regardless of the legal theory asserted, including, but not limited to, contract, negligence, warranty, or strict liability.



Industrial Markets
3M Center, Building 220-8E-04
St. Paul, MN 55144-1000

Printed in USA
Tasc969002.qxd
© 3M 2002