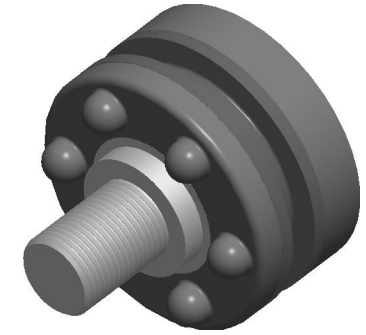
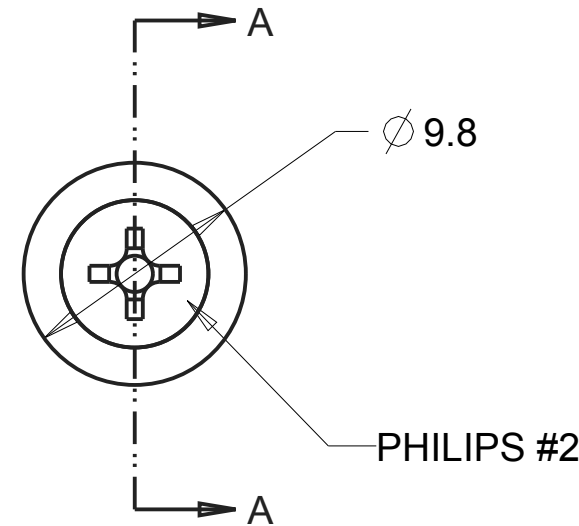
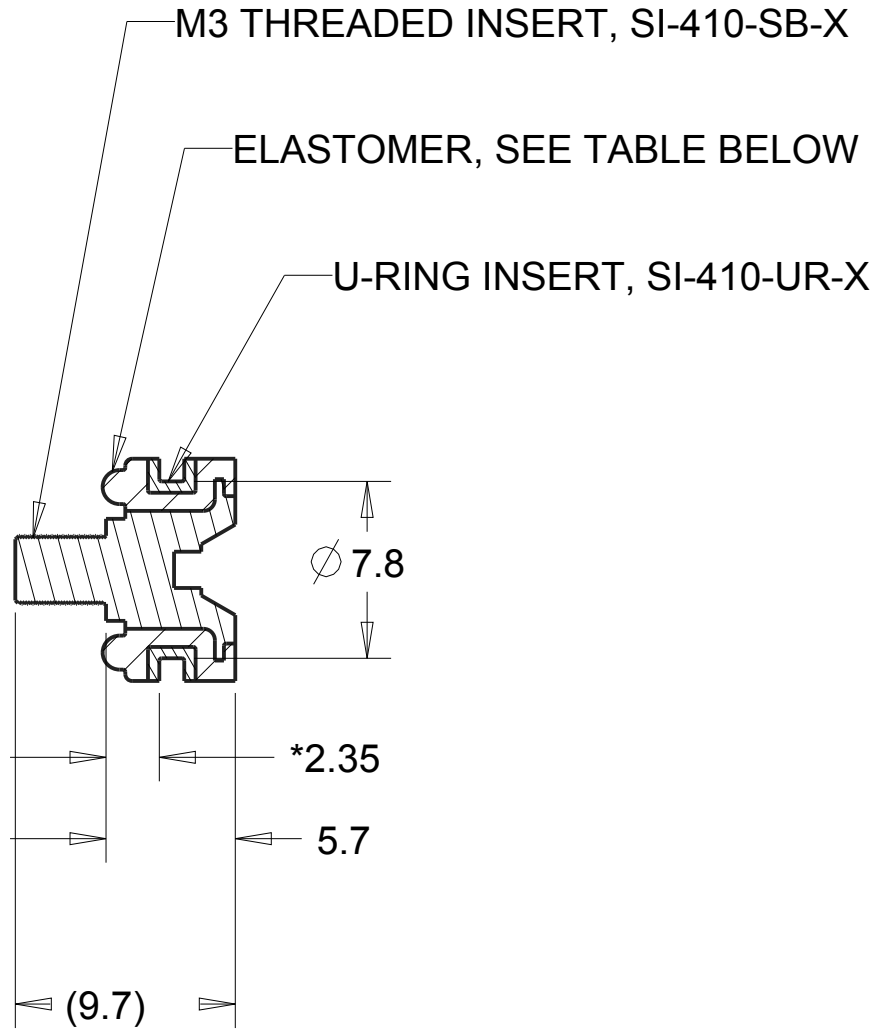




REVISIONS				
DRAWN	REV	DESCRIPTION	DATE	APPROVED
E-A-R	00-02	FOR REV 00-02 REFER TO OLDER FORMAT DRAWING "SI-410-X"		
CP	03	UPDATED FORMAT AND MATERIALS	6/12/17	



SECTION A-A

NOTES:

1. CRITICAL DIMENSIONS ARE MARKED WITH "\*\*".
2. CRITICAL DIMENSIONS SHALL HAVE CPK VALUE  $\geq 1.33$  WITH ONGOING SPC DATA REQUIRED.
3. FOR THREADED INSERT: Zn COATING, Cr6 FREE, ASTM B-117 (72 HOURS)
4. FOR ALL THREADED INSERT: CRITICAL DIM TOL:  $\pm 0.08\text{MM}$   
ALL OTHER DIM TOL:  $\pm 0.1\text{MM}$
5. USE THE TOLERANCE TABLE ON THE LEFT FOR ELASTOMERS

AVAILABLE MATERIALS TABLE

PART #	MATERIAL
SI-410-1	C-1002
SI-410-C8002	C-8002
SI-410-C8012	C-8012
SI-410-C6050	C-6050

RANGE	TOL
0 < DIM < 2	$\pm 0.15$
2 $\leq$ DIM < 25	$\pm 0.25$
25 $\leq$ DIM < 50	$\pm 0.4$
50 $\leq$ DIM	$\pm 0.6$

MATERIAL:		AEARO TECHNOLOGIES LLC * a 3M company		
SEE TABLE		TITLE		
UNITS: MM		SI-410 GROMMET		
NOTES: ANY FEATURE NOT DIMENSIONED IN PRINT MUST BE VISIBLY PRESENT, UTILIZE 3D CAD FOR CREATION		SIZE	ITEM CODE	DWG NO.
		B		SI-410-X

1

2

3

4

D

D

C

C

B

B

A

A